

# WC-6640-01-PCI-TLB

Series Number

Wheel Dia.

Fastener

Wheel Type

Options

- 20 = 2"
- 25 = 2-1/2"
- 30 = 3"
- 35 = 3-1/2"
- 40 = 4"
- 50 = 5"
- 60 = 6"
- 80 = 8"
- 10 = 10"
- 12 = 12"

- 0- = Top Plate
- 1- = Grip Ring Stem
- 2\* = Threaded Stem
- 3\* = Round Stem
- 4\* = Octagon Stem
- 5\* = Square Stem

DUC	DUCTILE STEEL
DVG	DUCTILE STEEL V GROOVE
HDP	DURAPLAS (POLYOLEFIN)
HDPB	POLYOLEFIN BALL BEARING
HDPCI	HEAVY DUTY POLYURETHANE ON CAST IRON
HDP-PB	PLAIN BORE POLYOLEFIN
HDPW	WHITE POLYOLEFIN
HDPW-PB	WHITE POLYOLEFIN PLAIN BORE
HR	HARD RUBBER
HRB	HARD RUBBER BALL BEARING
HTGFN	HIGH-TEMPERATURE GLASS FILLED NYLON
HTPHN	HIGH-TEMPERATURE PHENOLIC
LDP	POLYOLEFIN
LPN	LAMINATED PHENOLIC
PAL	POLYURETHANE ON ALUMINUM
PCI	POLYURETHANE ON CAST IRON
PHN	PHENOLIC
PPBG	POLYURETHANE ON POLYOLEFIN BALL BEARING
PPOR	POLYURETHANE ON POLYOLEFIN OIL LESS BUSHING
PPPG	POLY-U ON POLY-O (GRAY ON BEIGE) PLAIN BORE
PPSBG	POLYURETHANE ON POLYOLEFIN SINGLE PRECISION BEARING
RAL	RUBBER ON ALUMINUM
RCI	RUBBER ON CAST IRON
RTP	ROUND TREAD THERMOPLASTIC RUBBER
SPU	SOLID POLYURETHANE
SR	SOFT RUBBER
SRB	SOFT RUBBER BALL BEARING
STL	STEEL (CAST IRON)
TPR	THERMOPLASTIC RUBBER
TRB	THERMOPLASTIC RUBBER BALL BEARING
VG	V GROOVE
XDPO	DURAPLAS (POLYOLEFIN) EXTREME DUTY
XDPW	WHITE DURAPLAS (POLYOLEFIN)
XLB	POLYURETHANE ON POLYOLEFIN
RPAL	ROUND TREAD POLYURETHANE ON ALUMINUM

## BRAKE TYPE

- TLB = Top Lock Brake
- TSB = Thumb Screw Brake
- PWB = Pedal Wheel Brake
- SWB = Swivel&Wheel Brake

## BEARING TYPE

- BB = Ball Bearing
- DB = Delrin Bearing
- FPB = Flanged Precision Bearing
- RB = Roller Bearing
- TB = Tapered Bearing

## WHEEL COLOR

- G = Gray
- K = Black
- L = Blue
- R = Red

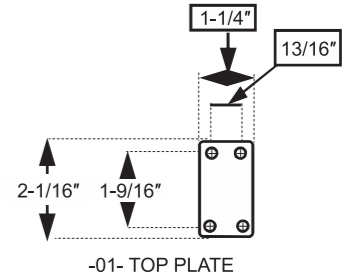
## OTHERS

- BC = Bearing Cover
- TG = Thread Guard
- YAN = Yoke/Axle/Nut
- Y = Yoke Only
- PSL = Position Lock



## WC 3000 SERIES

- Capacity to 120 lbs
- Double ball raceway
- Variety of fastener types
- Integrated top-lock brakes provide a sure lock (2" only)
- L21 stem fastener for rolling ladders
- Applications: Mobile medical equipment, light weight institutional & food service equipment, office equipment, chairs, displays, stands, automobile creepers, mop buckets, rolling ladders, etc
- 1/4" axle size



						REPLACE ** WITH FASTENER CODE
						SWIVEL #
2	7/8	SOFT RUBBER HARD RUBBER POLYOLEFIN POLY-U ON POLY-O (GRAY/BEIGE) THERMOPLASTIC RUBBER	NYLON NYLON PLAIN PLAIN PLAIN	100 100 100 100 100	1-13/16	WC3020-**-SR WC3020-**-HR WC3020-**-LDP WC3020-**-PPPG WC3020-**-TRP
3	13/16	SOFT RUBBER HARD RUBBER POLYOLEFIN POLY-U ON POLY-O (GRAY/BEIGE) THERMOPLASTIC RUBBER	NYLON NYLON PLAIN PLAIN PLAIN	110 120 120 120 110	2-3/8	WC3030-**-SR WC3030-**-HR WC3030-**-LDP WC3030-**-PPPG WC3030-**-TRP

FASTENER	TYPE CODE	SIZE
TOP PLATE	01	OVERALL: 1-1/4 x 2-1/16 HOLE SPACING: 13/16 x 1-9/16 ATTACHING BOLT SIZE: 3/16
GRIP RING STEM	11	A x B 7/16 x 1-3/16
THREADED STEM	20 21 23 24 25	A-B x C 1/2-13 x 1/2 5/16-18 x 1 3/8-16 x 1 3/8-16 x 1-1/4 3/8-16 x 1-1/2
LADDER CASTER STEM	L21	5/16 x 5-1/2



OVERALL HEIGHT VARIES PER FASTENER.

FASTENER	FOR 2"	FOR 3"
01	2-5/8	3-5/8
11	2-5/8	3-5/8
20 THRU 25	2-3/4	3-11/16
L21	2-1/2	3-1/2

## OPTIONS FOR WC 3000 SERIES (Add option abbreviation to end of the caster part #)

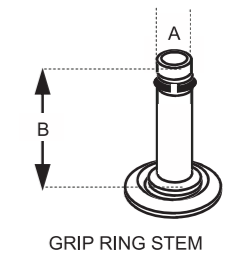


TLB

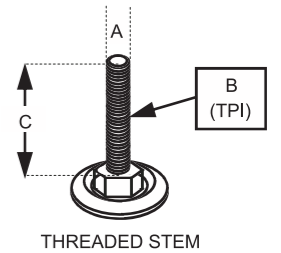
INTEGRATED TLB Available on 2"

## SPECIAL FINISHES (FACTORY ORDER)

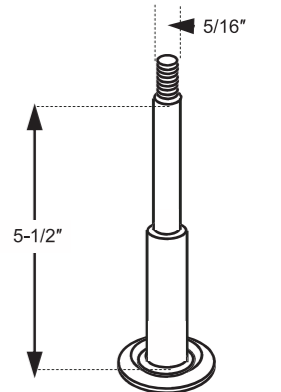
POLISHED GOLD FINISH	PGF
BLACK OXIDE	BO
NICKLE	N
CHROME	CR



GRIP RING STEM



THREADED STEM



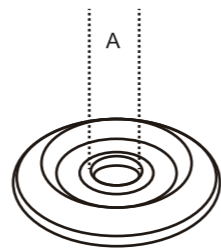
LADDER CASTER STEM -L21- (Springs NOT Included)



# WC 3300 SERIES



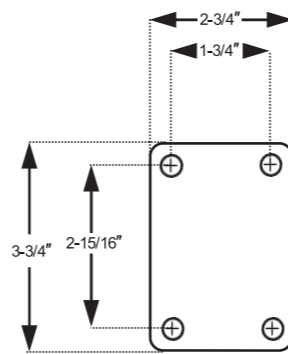
- Capacity up to 260 lbs
- Case hardened double ball raceways provide extra capacity & durability
- Sealed raceway is standard with top plate fastener type
- High capacities with low overall heights
- Bright zinc finish standard
- Applications: Business machines, copiers, printers, diagnostic equipment, computer tower carts and stands, vending machines, magazine racks, store check-out racks, displays, video games, pianos, etc
- 5/16" axle size



HOLLOW KINGPIN

## DUAL WHEEL STYLE

							REPLACE ** WITH FASTENER CODE
							SWIVEL #
2	2 x 13/16	HARD RUBBER THERMOPLASTIC RUBBER	PLAIN	260 220	1-7/8	2-13/16	WC3322**-HR WC3322**-TRP



-01- TOP PLATE

## SINGLE WHEEL STYLE

							REPLACE ** WITH FASTENER CODE
							SWIVEL #
2	1-13/16	POLYOLEFIN	PLAIN	260	1-7/8	2-13/16	WC3320**-HDP

## FASTENERS FOR WC 3300 SERIES

HOLLOW KINGPIN	038 012	FOR (A) 3/8 ATTACHING BOLT FOR (A) 1/2 ATTACHING BOLT
TOP PLATE	01	OVERALL: 2-3/4 x 3-3/4 HOLE SPACING: 1-3/4 x 2-15/16 ATTACHING BOLT SIZE: 5/16
GRIP RING STEM	11	7/16 x 1-1/2
THREADED STEM	21	1/2-13 x 1-1/2

## OPTIONS FOR WC 3300 SERIES (Add option abbreviation to end of the caster part #)

OPTIONS: (WC 3320 & WC 3322) THUMB SCREW BRAKE



TSB

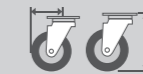
### SPECIAL FINISHES (FACTORY ORDER)

POLISHED GOLD FINISH	PGF
BLACK OXIDE	BO
NICKLE	N
CHROME	CR

# WC 3400 SERIES



- Capacity to 220 lbs
- Case hardened double ball raceways provide extra capacity & durability
- Unique, 1-3/4" wide x 3" long top plate fastener was developed to be able to be attached to a 2" square tube without protruding past the ends of the tube
- Applications: Food service & institutional equipment, light-duty service carts (for hotels, resorts, hospitals, and restaurants), & light duty stock carts, displays, etc
- 5/16" axle size



REPLACE \*\* WITH FASTENER CODE

								SWIVEL #	RIGID #
3	1	SOFT RUBBER HARD RUBBER POLYOLEFIN POLY-U ON POLY-O (GRAY/BEIGE) THERMOPLASTIC RUBBER YOKE AXLE & NUT	NYLON NYLON PLAIN PLAIN PLAIN -	110 130 175 175 175 220	2-13/16	3-7/8	WC3430**-SR WC3430**-HR WC3430**-LDP WC3430**-PPPG WC3430**-TRP WC3430**-YAN	WC3430R**-SR WC3430R**-HR WC3430R**-LDP WC3430R**-PPPG WC3430R**-TRP WC3430R**-YAN	
4	1	SOFT RUBBER HARD RUBBER POLYOLEFIN POLY-U ON POLY-O (GRAY/BEIGE) THERMOPLASTIC RUBBER YOKE AXLE & NUT	NYLON NYLON OILITE PLAIN PLAIN -	130 175 220 220 190 220	3-1/4	4-7/8	WC3440**-SR WC3440**-HR WC3440**-HDPO WC3440**-PPPG WC3440**-TRP WC3440**-YAN	WC3440R**-SR WC3440R**-HR WC3440R**-HDPO WC3440R**-PPPG WC3440R**-TRP WC3440R**-YAN	
5	1	SOFT RUBBER HARD RUBBER POLYOLEFIN POLY-U ON POLY-O (GRAY/BEIGE) THERMOPLASTIC RUBBER YOKE AXLE & NUT	NYLON NYLON OILITE PLAIN PLAIN -	150 220 220 220 200 220	3-13/16	5-7/8	WC3450**-SR WC3450**-HR WC3450**-HDPO WC3450**-PPPG WC3450**-TRP WC3450**-YAN	WC3450R**-SR WC3450R**-HR WC3450R**-HDPO WC3450R**-PPPG WC3450R**-TRP WC3450R**-YAN	

## FASTENERS FOR WC 3400 SERIES

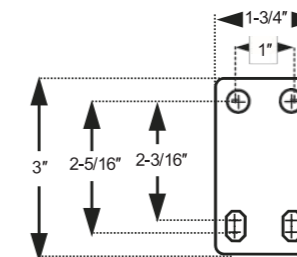
TYPE	CODE	SIZE
TOP PLATE	01	OVERALL: 1-3/4 x 3 HOLE SPACING: 1 x 2-3/16 SLOTTED TO 2-5/16 ATTACHING BOLT SIZE: 5/16

## OPTIONS FOR WC 3400 SERIES (Add option abbreviation to end of the caster part #)

### TOP LOCK BRAKE



TLB



01 TOP PLATE

### SPECIAL FINISHES (FACTORY ORDER)

POLISHED GOLD FINISH	PGF
BLACK OXIDE	BO
NICKLE	N
CHROME	CR



# WC 3600 SERIES

- Capacity to 230 lbs.
- Many fastener options available
- Double ball raceway
- Applications: Bakery racks, laundry carts, light duty stock carts, food service equipment, service carts (for hotels, resorts, hospitals, and restaurants), garment racks, Z trucks, etc
- 5/16" axle



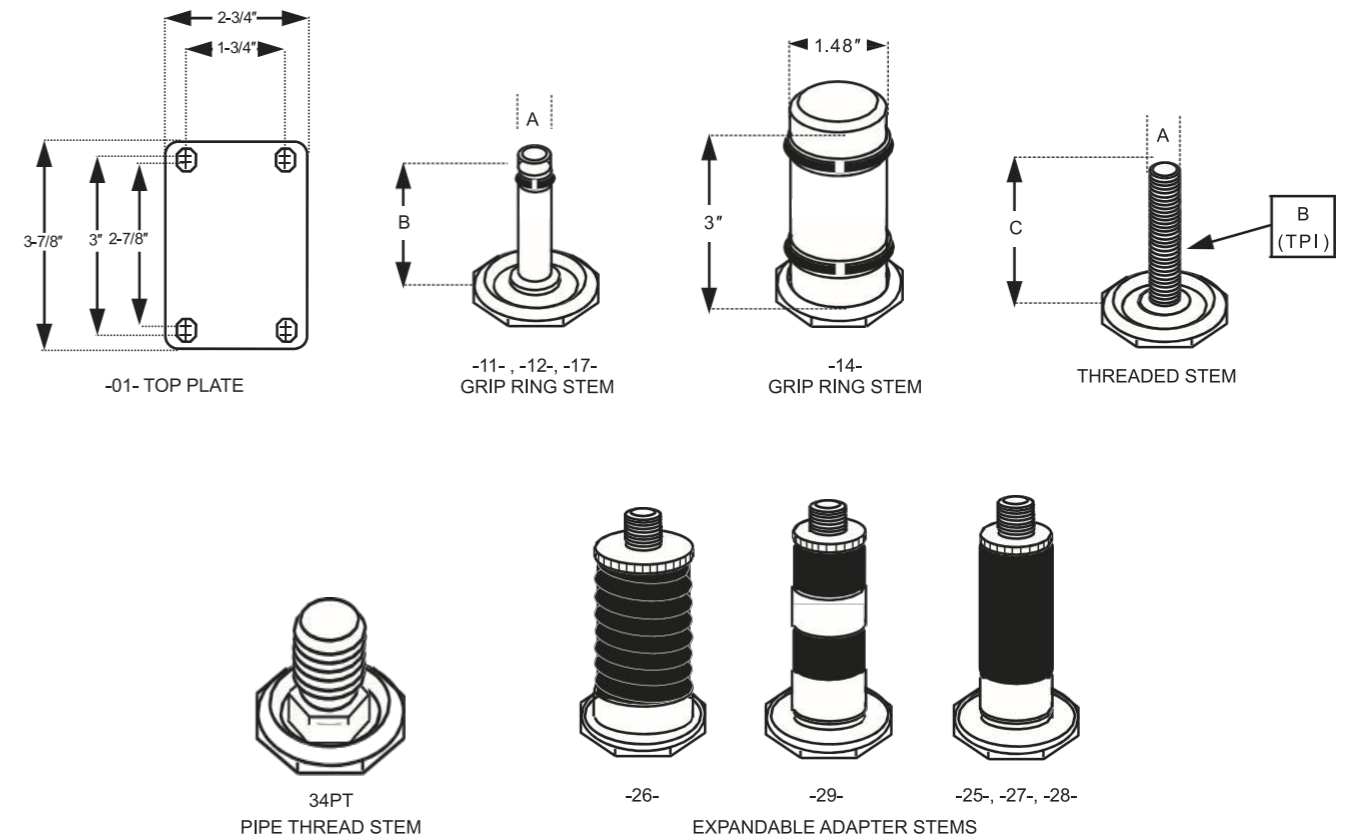
						REPLACE ** WITH FASTENER CODE		
						SWIVEL #	RIGID #	
3	1	SOFT RUBBER	NYLON	110	2-13/16	3-3/4	WC3630**-SR	WC3630R**-SR
		HARD RUBBER	NYLON	130			WC3630**-HR	WC3630R**-HR
		POLYOLEFIN	PLAIN	175			WC3630**-LDP	WC3630R**-LDP
		POLY-U ON POLY-O (GRAY/BEIGE)	PLAIN	175			WC3630**-PPPG	WC3630R**-PPPG
		THERMOPLASTIC RUBBER	PLAIN	175			WC3630**-TRP	WC3630R**-TRP
YOKE AXLE & NUT	-	230	WC3630**-YAN	WC3630R**-YAN				
4	1	SOFT RUBBER	NYLON	130	3-1/4	4-3/4	WC3640**-SR	WC3640R**-SR
		HARD RUBBER	NYLON	175			WC3640**-HR	WC3640R**-HR
		POLYOLEFIN	OILITE	220			WC3640**-HDPO	WC3640R**-HDPO
		POLY-U ON POLY-O (GRAY/BEIGE)	PLAIN	220			WC3640**-PPPG	WC3640R**-PPPG
		THERMOPLASTIC RUBBER	PLAIN	190			WC3640**-TRP	WC3640R**-TRP
YOKE AXLE & NUT	-	230	WC3640**-YAN	WC3640R**-YAN				
5	1	SOFT RUBBER	NYLON	150	3-1/2	5-3/4	WC3650**-SR	WC3650R**-SR
		HARD RUBBER	NYLON	220			WC3650**-HR	WC3650R**-HR
		POLYOLEFIN	OILITE	230			WC3650**-HDPO	WC3650R**-HDPO
		POLY-U ON POLY-O (GRAY/BEIGE)	PLAIN	220			WC3650**-PPPG	WC3650R**-PPPG
		THERMOPLASTIC RUBBER	PLAIN	200			WC3650**-TRP	WC3650R**-TRP
YOKE AXLE & NUT	-	230	WC3650**-YAN	WC3650R**-YAN				

## FASTENERS FOR WC 3600 SERIES

FASTENER TYPE	CODE	SIZE
TOP PLATE	01	OVERALL: 2-3/4 x 3-3/4 HOLE SPACING: 1-3/4 x 2-7/8 SLOTTED TO 3 ATTACHING BOLT SIZE: 5/16
GRIP RING STEM	11	A x B 7/16 x 1-1/2
	12	0.845 x 2-3/16
	14	1.48 x 3 WITH TWO GRIP RINGS (TOP & BOTTOM)
	17	7/16 x 2
THREADED STEM (WITH HEX RACEWAY)	21	A-B x C 1/2-13 x 1-1/2
	22	7/16-14 x 2-1/4
	23	1/2-13 x 1
	24	1/2-13 x 2-1/4
	26N	1/2-13 x 2-13/16
PIPE THREAD (NPT)	34PT	THREADED FOR 3/4" PIPE COUPLING x 3/4" LONG
EXPANDABLE ADAPTER STEMS	25	FOR 1-3/8 I.D. 1-1/2 O.D. TUBING
	26	FOR 1-1/2" I.D. 1-5/8 O.D. TUBING
	27	FOR 7/8" I.D. 1" O.D. TUBING
	28	FOR 1" I.D. 1-1/8" O.D. TUBING
	29	FOR 1-1/8" I.D. 1-1/4 O.D. TUBING
ROUND PLAIN STEM OCTAGON	31	7/8 x 1-7/16 WITH 5/16 CROSS DRILLED HOLE 29/32 UP
	42	7/8 x 2 WITH 5/16 CROSS DRILLED HOLE 1" UP

# WC 3600 SERIES

## FASTENER DIAGRAMS



## OPTIONS FOR WC 3600 SERIES (Add option abbreviation to end of the caster part #)

TOP LOCK BRAKE



TLB

### SPECIAL FINISHES (FACTORY ORDER)

POLISHED GOLD FINISH	PGF
BLACK OXIDE	BO
NICKLE	N
CHROME	CR

# WC 3800 SERIES



- Designed as a cost effective alternative to the 5000 & 5200 series.
- Capacity up to 250 lbs
- Case hardened double ball raceways
- Large variety of fasteners for various applications
- Applications: Light-duty material handling equipment, food service carts & equipment, bakery racks & equipment, institutional carts & equipment, miscellaneous dollies, mobile cases, displays, mobile wire racking, stock carts, textile applications, warehouse & manufacturing applications, etc

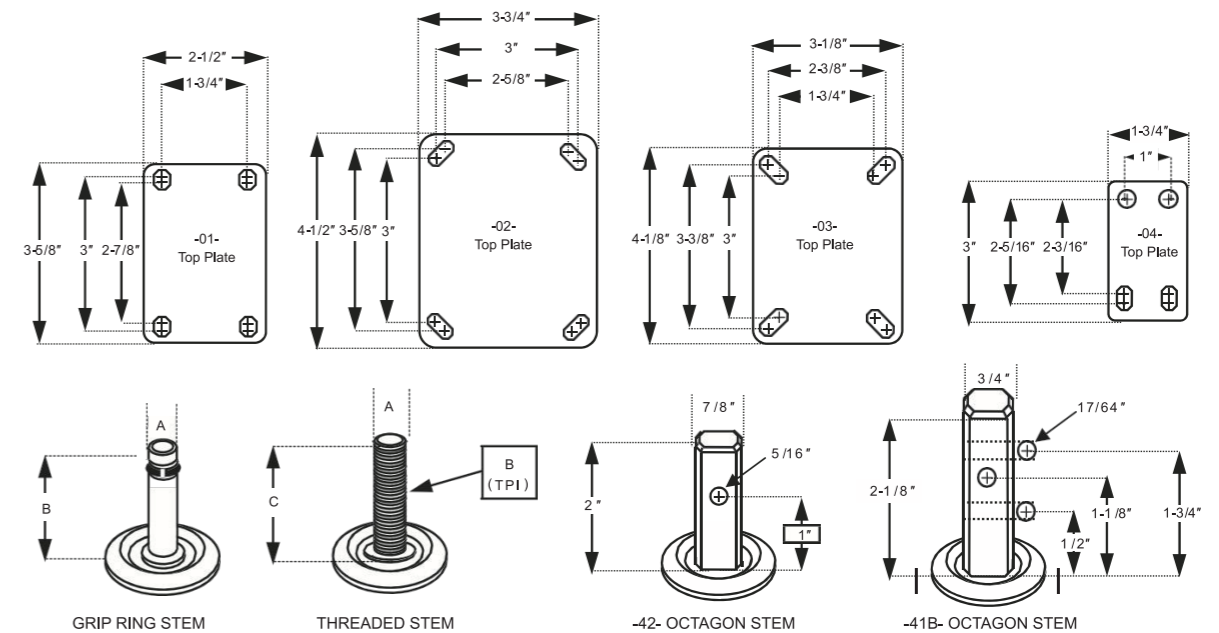
							REPLACE ** WITH FASTENER CODE	
							SWIVEL #	RIGID #
2	1	SOFT RUBBER	NYLON	110	2	2-7/8	WC3820**-SR	WC3820R**-SR
		HARD RUBBER	NYLON	160			WC3820**-HR	WC3820R**-HR
		POLYOLEFIN	PLAIN	160			WC3820**-HDP	WC3820R**-HDP
		STEEL	PLAIN	160			WC3820**-STL	WC3820R**-STL
		THERMOPLASTIC RUBBER	PLAIN	120			WC3820**-TRP	WC3820R**-TRP
YOKE AXLE & NUT	-	160	WC3820**-YAN	WC3820R**-YAN				
2-1/2	1-1/8	LIGHT DUTY POLYOLEFIN	PLAIN	100	2-3/8	3-3/8	WC3825**-LDP	WC3825R**-LDP
		SOFT RUBBER	NYLON	120			WC3825**-SR	WC3825R**-SR
		HARD RUBBER	NYLON	160			WC3825**-HR	WC3825R**-HR
		HEAVY DUTY POLYOLEFIN	PLAIN	200			WC3825**-HDP	WC3825R**-HDP
		POLY-U ON POLY-O (GRAY/BEIGE)	PLAIN	160			WC3825**-PPPG	WC3825R**-PPPG
		POLY-U ON POLY-O (RED/GRAY)	PLAIN	160			WC3825**-PPPR	WC3825R**-PPPR
		THERMOPLASTIC RUBBER	OILLESS	150			WC3825**-TRO	WC3825R**-TRO
		STEEL	PLAIN	200			WC3825**-STL	WC3825R**-STL
		YOKE AXLE & NUT	-	200			WC3825**-YAN	WC3825R**-YAN
		3	1-1/4	SOFT RUBBER			NYLON	150
HARD RUBBER	NYLON			220	WC3830**-HR	WC3830R**-HR		
POLYOLEFIN	PLAIN			250	WC3830**-LDP	WC3830R**-LDP		
POLY-U ON POLY-O (GRAY/BEIGE)	OILLESS			250	WC3830**-PPOG	WC3830R**-PPOG		
THERMOPLASTIC RUBBER	OILLESS			210	WC3830**-TRO	WC3830R**-TRO		
PHENOLIC	DELTRIN			250	WC3830**-PHN	WC3830R**-PHN		
YOKE AXLE & NUT	-			250	WC3830**-YAN	WC3830R**-YAN		
4	1-1/4	SOFT RUBBER	NYLON	170	3-1/4	4-15/16	WC3840**-SR	WC3840R**-SR
		SOFT RUBBER	BALL	170			WC3840**-SRB	WC3840R**-SRB
		HARD RUBBER	NYLON	250			WC3840**-HR	WC3840R**-HR
		HARD RUBBER	BALL	250			WC3840**-HRB	WC3840R**-HRB
		POLYOLEFIN	PLAIN	250			WC3840**-HDP	WC3840R**-HDP
		POLY-U ON POLY-O (GRAY/BEIGE)	PLAIN	250			WC3840**-PPPG	WC3840R**-PPPG
		POLY-U ON POLY-O (GRAY/BEIGE)	BALL	250			WC3840**-PPBG	WC3840R**-PPBG
		THERMOPLASTIC RUBBER	PLAIN	250			WC3840**-TRP	WC3840R**-TRP
		THERMOPLASTIC RUBBER	BALL	250			WC3840**-TRB	WC3840R**-TRB
		PHENOLIC	STL DSW	250			WC3840**-PHN	WC3840R**-PHN
YOKE AXLE & NUT	-	250	WC3840**-YAN	WC3840R**-YAN				
5	1-1/4	SOFT RUBBER	NYLON	200	3-3/4	5-3/4	WC3850**-SR	WC3850R**-SR
		SOFT RUBBER	BALL	200			WC3850**-SRB	WC3850R**-SRB
		HARD RUBBER	NYLON	250			WC3850**-HR	WC3850R**-HR
		HARD RUBBER	BALL	250			WC3850**-HRB	WC3850R**-HRB
		POLYOLEFIN	PLAIN	250			WC3850**-HDP	WC3850R**-HDP
		POLY-U ON POLY-O (GRAY/BEIGE)	PLAIN	250			WC3850**-PPPG	WC3850R**-PPPG
		POLY-U ON POLY-O (GRAY/BEIGE)	BALL	250			WC3850**-PPBG	WC3850R**-PPBG
		THERMOPLASTIC RUBBER	PLAIN	250			WC3850**-TRP	WC3850R**-TRP
		THERMOPLASTIC RUBBER	BALL	250			WC3850**-TRB	WC3850R**-TRB
		ROUND THERMOPLASTIC RUBBER	GRAPHITE	250			WC3850**-RTPO	WC3850R**-RTPO
PHENOLIC	STL DSW	250	WC3850**-PHN	WC3850R**-PHN				
YOKE AXLE & NUT	-	250	WC3850**-YAN	WC3850R**-YAN				

Axle size for, 2", 2-1/2" and 3" wheels is 5/16". Axle size for 4" and 5" wheels is 3/8".

# WC 3800 SERIES

## FASTENERS FOR WC 3800 SERIES

TYPE	CODE	SIZE
TOP PLATE	01	OVERALL SIZE: 2-1/2 x 3-5/8 BOLT HOLE PATTERN: 1-3/4 x 2-7/8 SLOTTED TO 3 ATTACHING BOLT SIZE: 5/16
TOP PLATE	02	OVERALL SIZE: 3-3/4 x 4-1/2 BOLT HOLE PATTERN: 2-5/8 x 3-5/8 SLOTTED TO 3 x 3 ATTACHING BOLT SIZE: 3/8
TOP PLATE	03	OVERALL SIZE: 3-1/8 x 4-1/8 BOLT HOLE PATTERN: 1-3/4 x 3 SLOTTED TO 2-3/8 x 3-3/8 ATTACHING BOLT SIZE: 3/8
TOP PLATE	04	OVERALL: 1-3/4 x 3 HOLE SPACING: 1 x 2-3/16 SLOTTED TO 2-5/16 ATTACHING BOLT SIZE: 5/16
GRIP RING STEM	11	A x B 7/16 x 1-1/2
	12	.845 x 2-3/16
	17	7/16 x 2
THREADED STEM	21	A-B x C 1/2-13 x 1
	22	1/2-13 x 1-1/2
	24	3/8-16 x 1-1/4
	26N	1/2-13 x 2-13/16
OCTAGON STEM	41B	3/4 x 2-1/8 WITH 3 CROSS DRILLED HOLES
	42	7/8 x 2 WITH 5/16" CROSS DRILLED HOLE 1" UP



### OPTIONS FOR WC 3800 SERIES (Add option abbreviation to end of the caster part #)

NON-INTERGRATED ON 3" CASTER	INTEGRATED TLB AVAILABLE ON 2", 2.5", 4", 5"	THREAD GUARDS BEARING COVER (USE WITH BB) (FOR: PPB*, TRB)	PEDAL WHEEL BRAKE Available on 5"	QUICK CHANGE PLATE FOR 01 T.P. (FOR SWIVEL CASTERS ONLY).	<b>SPECIAL FINISHES (FACTORY ORDER)</b> POLISHED GOLD FINISH PGF BLACK OXIDE BO NICKLE N CHROME CR
TLB	TLB	TG	BCG	PWB	

#QCP-01-5200 (ZINC, BOLT-ON TYPE) QCP-01-5200-UNPLATED (WELD-ON)

# WC 4000 SERIES



- Capacity to 300 lbs
- Most economical casters for unlimited, light-duty applications
- Large single-ball raceways deeply embossed for strength and durability
- Integrated top lock brakes provide a sure lock without interfering with the rollability of the wheel when disengaged, unlike side-lock style brakes
- Applications: Displays, dollies, platforms, racks, rolling tool boxes, food service, etc

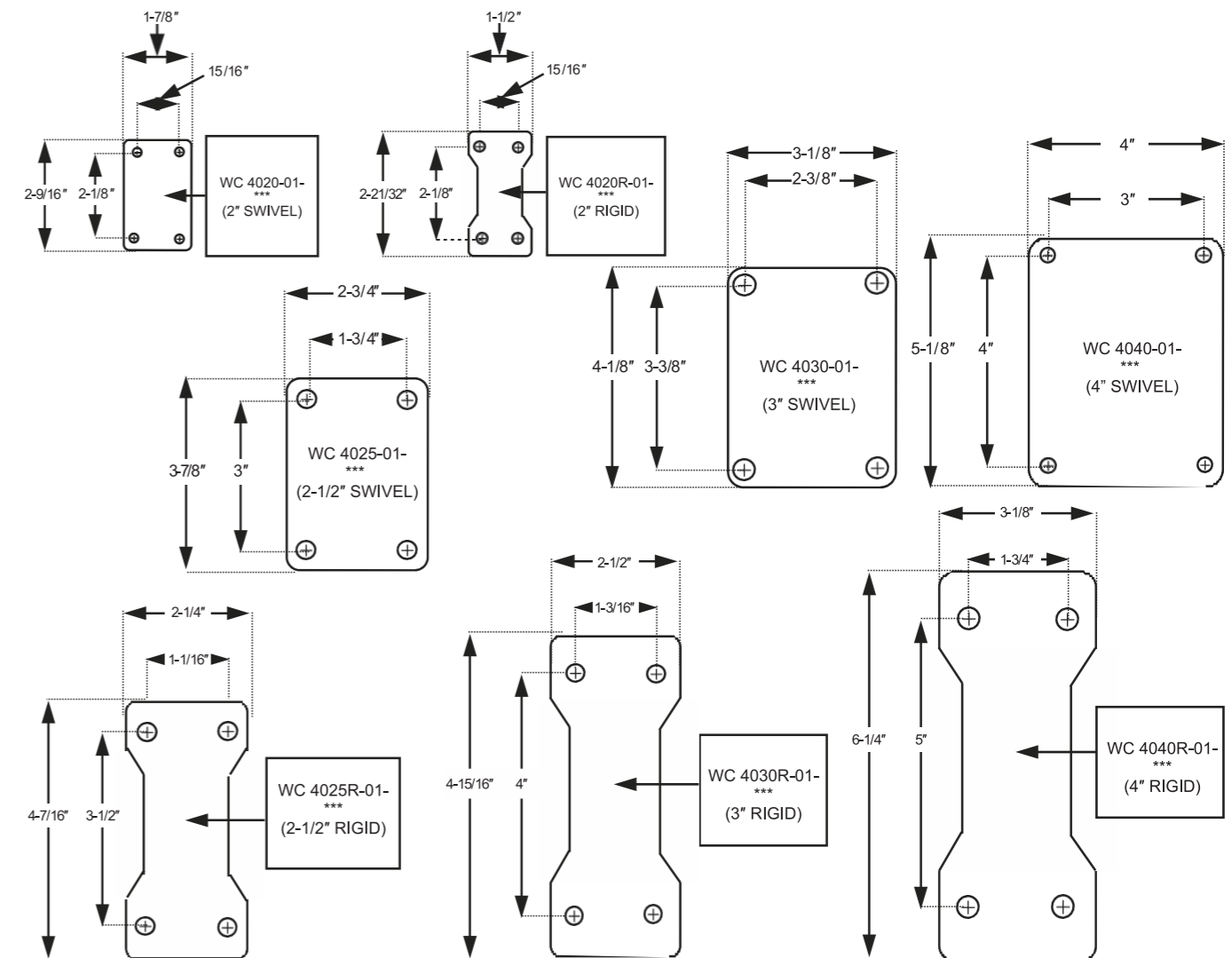
						REPLACE ** WITH FASTENER CODE						
						SWIVEL #	RIGID #					
2	15/16	SOFT RUBBER	NYLON	90	2	2-1/2	WC4020-01-SR	WC4020R-01-SR				
		HARD RUBBER	NYLON	150			WC4020-01-HR	WC4020R-01-HR				
		STEEL (CAST IRON)	PLAIN	150			WC4020-01-STL	WC4020R-01-STL				
		POLYOLEFIN	PLAIN	150			WC4020-01-LDP	WC4020R-01-LDP				
		POLY-U/ POLY-O (GRAY ON BEIGE)	PLAIN	120			WC4020-01-PPPG	WC4020R-01-PPPG				
		YOKE AXLE & NUT	-	150			WC4020-01-YAN	WC4020R-01-YAN				
2-1/2	1-1/8	SOFT RUBBER	NYLON	120	2-3/8	3-1/4	WC4025-01-SR	WC4025R-01-SR				
		HARD RUBBER	NYLON	160			WC4025-01-HR	WC4025R-01-HR				
		LIGHT DUTY POLYOLEFIN	PLAIN	160			WC4025-01-LDP	WC4025R-01-LDP				
		HEAVY DUTY POLYOLEFIN	PLAIN	200			WC4025-01-HDP	WC4025R-01-HDP				
		POLY-U ON POLY-O (GRAY ON BEIGE)	PLAIN	160			WC4025-01-PPPG	WC4025R-01-PPPG				
		POLY-U ON POLY-O (RED ON GRAY)	PLAIN	160			WC4025-01-PPPR	WC4025R-01-PPPR				
		THERMOPLASTIC RUBBER	OILLESS	150			WC4025-01-TRO	WC4025R-01-TRO				
		STEEL (CAST IRON)	PLAIN	200			WC4025-01-STL	WC4025R-01-STL				
				YOKE AXLE & NUT			-	200			WC4025-01-YAN	WC4025R-01-YAN
		3	1-1/4	SOLID POLYURETHANE			DELTRIN	250	3	3-3/4	WC4030-01-SPU	WC4030R-01-SPU
SOFT RUBBER	NYLON			150	WC4030-01-SR	WC4030R-01-SR						
SOFT RUBBER	BALL			150	WC4030-01-SRB	WC4030R-01-SRB						
HARD RUBBER	NYLON			220	WC4030-01-HR	WC4030R-01-HR						
HARD RUBBER	BALL			220	WC4030-01-HRB	WC4030R-01-HRB						
LIGHT DUTY POLYOLEFIN	PLAIN			250	WC4030-01-LDP	WC4030R-01-LDP						
HEAVY DUTY POLYOLEFIN	PLAIN			250	WC4030-01-HDP	WC4030R-01-HDP						
HEAVY DUTY POLYOLEFIN	BALL			250	WC4030-01-HDPB	WC4030R-01-HDPB						
POLY-U / POLY-O (GRAY ON BEIGE)	BALL			250	WC4030-01-PPBG	WC4030R-01-PPBG						
POLY-U / POLY-O (BLUE ON GRAY)	BALL			250	WC4030-01-PPBL	WC4030R-01-PPBL						
POLY-U/ POLY-O (GRAY ON BEIGE)	PLAIN			250	WC4030-01-PPPG	WC4030R-01-PPPG						
PHENOLIC	STL DSW			250	WC4030-01-PHN	WC4030R-01-PHN						
THERMOPLASTIC RUBBER	PLAIN			165	WC4030-01-TRP	WC4030R-01-TRP						
THERMOPLASTIC RUBBER	BALL			165	WC4030-01-TRB	WC4030R-01-TRB						
STEEL (CAST IRON)	PLAIN			250	WC4030-01-STL	WC4030R-01-STL						
RUBBER ON ALUMINUM	BALL			250	WC4030-01-RAL	WC4030R-01-RAL						
POLYURETHANE ON ALUMINUM	BALL			250	WC4030-01-PAL	WC4030R-01-PAL						
		YOKE AXLE & NUT	-	250			WC4030-01-YAN	WC4030R-01-YAN				
4	1-1/2	SOFT RUBBER	NYLON	225	3-3/8	4-7/8	WC4040-01-SR	WC4040R-01-SR				
		HARD RUBBER	NYLON	300			WC4040-01-HR	WC4040R-01-HR				
		STEEL (CAST IRON)	PLAIN	300			WC4040-01-STL	WC4040R-01-STL				
		POLYOLEFIN	STL SPAN	300			WC4040-01-XDPO	WC4040R-01-XDPO				
				YOKE AXLE & NUT			-	300			WC4040-01-YAN	WC4040R-01-YAN

Axle size for 2" wheel is 1/4". Axle size for 2-1/2" wheel is 5/16". Axle size for 3" & 4" wheel is 3/8".

# WC 4000 SERIES

## FASTENERS FOR WC 4000 SERIES

WHEEL DIAMETER	OVERALL SIZE	BOLT HOLE PATTERN	BOLT SIZE
SWIVEL:			
2	1-7/8 x 2-9/16	15/16 x 2-1/8	1/4
2-1/2	2-3/4 x 3-7/8	1-3/4 x 3	5/16
3	3-1/8 x 4-1/8	2-3/8 x 3-3/8	5/16
4	4 x 5-1/8	3 x 4	3/8
RIGID:			
2	1-1/2 x 2-21/32	15/16 x 2-1/8	1/4
2-1/2	2-1/4 x 4-7/16	1-1/16 x 3-1/2	5/16
3	2-1/2 x 4-15/16	1-3/16 x 4	5/16
4	3-1/8 x 6-1/4	1-3/4 x 5	3/8



### OPTIONS FOR WC 4000 SERIES (Add option abbreviation to end of the caster part #)

INTEGRATED TLB  
AVAILABLE ON ALL SIZES



TLB

THREAD GUARDS  
(USE W/BEARING)



TG

BEARING COVER  
(FOR: PPB\*, TRB)



BCG

PEDAL WHEEL BRAKE  
Available on 3"



PWB

### SPECIAL FINISHES (FACTORY ORDER)

POLISHED GOLD FINISH	PGF
BLACK OXIDE	BO
NICKLE	N
CHROME	CR

# WC 4900 SERIES

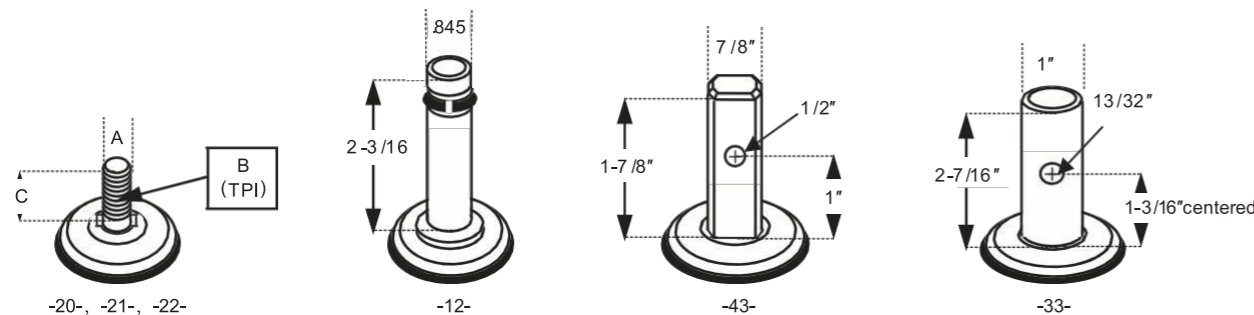


- Capacity to 250 lbs
- 3/8" axle and nut used instead of rivet. (5/16 axle available upon request)
- Zinc plated
- Sealed upper raceway helps keep out dirt and dust
- Case hardened double ball raceways provide extra capacity & durability
- Applications: Shopping carts, miscellaneous carts and racks, food service & institutional equipment, etc

								REPLACE ** WITH FASTENER CODE	
								SWIVEL #	
5	1-1/4	SOFT RUBBER	NYLON	200	3-7/8	5-15/16	WC 4950**-SR		
		SOFT RUBBER	BALL	200			WC 4950**-SRB		
		HARD RUBBER	NYLON	250			WC 4950**-HR		
		HARD RUBBER	BALL	250			WC 4950**-HRB		
		POLYOLEFIN	PLAIN	250			WC 4950**-HDP		
		POLY-U / POLY-O (RED ON GRAY)	BALL	250			WC 4950**-PPBR		
		POLY-U / POLY-O (GRAY ON BEIGE)	BALL	250			WC 4950**-PPBG		
		POLY-U / POLY-O (BLACK ON GRAY)	BALL	250			WC 4950**-PPBK		
		POLY-U / POLY-O (BLUE ON GRAY)	BALL	250			WC 4950**-PPBL		
		POLY-U / POLY-O (GRAY ON BEIGE)	PLAIN	250			WC 4950**-PPPG		
		THERMOPLASTIC RUBBER	BALL	250			WC 4950**-TRB		
		THERMOPLASTIC RUBBER	PLAIN	250			WC 4950**-TRP		
		ROUND THERMOPLASTIC RUBBER	GRAPHITE	250			WC 4950**-RTPO		
		RUBBER ON ALUMINUM	BALL	250			WC 4950**-RAL		
		POLYURETHANE ON ALUMINUM	BALL	250			WC 4950**-PAL		
		YOKE AXLE & NUT	-	250			WC 4950**-YAN		

## FASTENERS FOR WC 4900 SERIES

TYPE	CODE	SIZE
GRIP RING STEM	12	.845 x 2-3/16
THREADED STEM WITH KEYLOCK	20	1/2-13 x 3/4
	21	1/2-13 x 9/16
	22	1/2-13 x 7/8
HAND TRUCK STEM	33	1 x 2-7/16 WITH A 13/32 CROSS DRILLED HOLE, 1" UP
OCTAGON STEM	43	7/8 x 1-7/8 WITH 1/2 CROSS DRILLED HOLE, 1" UP CENTERED



## OPTIONS FOR WC 4900 SERIES (Add option abbreviation to end of the caster part #)

PEDAL WHEEL BRAKE



PWB

INTEGRATED TLB



TLB

THREAD GUARDS (USE WITH BB)



TG

BEARING COVER (FOR: PPB\*, TRB)



BCG

# WC 5000 SERIES



- Capacity up to 350 lbs
- Yoke is stamped and drawn from heavily embossed steel.
- Case hardened double ball raceways provide extra capacity & durability
- 1/2" king pin is hydraulically upset to increase shock absorbing capacity
- Large variety of fasteners for various applications
- Very durable, economical caster for hundreds of applications
- Applications: Light-medium duty material handling equipment, food service carts & equipment, bakery racks & equipment, institutional carts & equipment, miscellaneous dollies, mobile cases, displays, mobile wire racking, stock carts, textile applications, warehouse & manufacturing applications, etc
- 3/8" axle size

								REPLACE ** WITH FASTENER CODE					
								SWIVEL #					
3	1-1/4	SOFT RUBBER	NYLON	150	3	4	WC 5030**-SPU	WC 5030R**-SPU					
		SOFT RUBBER	BALL	150			WC 5030**-SR	WC 5030R**-SR					
		HARD RUBBER	NYLON	250			WC 5030**-SRB	WC 5030R**-SRB					
		HARD RUBBER	BALL	250			WC 5030**-HR	WC 5030R**-HR					
		PHENOLIC	STL DSW	350			WC 5030**-HRB	WC 5030R**-HRB					
		POLYOLEFIN	PLAIN	300			WC 5030**-PHN	WC 5030R**-PHN					
		POLYOLEFIN	BALL	300			WC 5030**-HDP	WC 5030R**-HDP					
		STEEL (CAST IRON)	PLAIN	300			WC 5030**-HDPB	WC 5030R**-HDPB					
		POLY-U / POLY-O (GRAY ON BEIGE)	BALL	250			WC 5030**-HDPB	WC 5030R**-HDPB					
		POLY-U / POLY-O (GRAY ON BEIGE)	PLAIN	250			WC 5030**-STL	WC 5030R**-STL					
		POLY-U / POLY-O (GRAY ON GRAY)	P. BALL	250			WC 5030**-PPBG	WC 5030R**-PPBG					
		POLY-U / POLY-O (BLUE ON GRAY)	BALL	250			WC 5030**-PPPG	WC 5030R**-PPPG					
		POLY-U / POLY-O (BLUE ON GRAY)	PLAIN	250			WC 5030**-PPSBG	WC 5030R**-PPSBG					
		POLY-U / POLY-O (RED ON GRAY)	BALL	250			WC 5030**-PPBL	WC 5030R**-PPBL					
		POLY-U / POLY-O (RED ON GRAY)	PLAIN	250			WC 5030**-PPPL	WC 5030R**-PPPL					
		THERMOPLASTIC RUBBER	BALL	210			WC 5030**-PPBR	WC 5030R**-PPBR					
		THERMOPLASTIC RUBBER	PLAIN	210			WC 5030**-PPPR	WC 5030R**-PPPR					
		THERMOPLASTIC RUBBER	P. BALL	210			WC 5030**-TRB	WC 5030R**-TRB					
		THERMOPLASTIC RUBBER	PLAIN	210			WC 5030**-TRP	WC 5030R**-TRP					
		RUBBER ON ALUMINUM	BALL	250			WC 5030**-TRSB	WC 5030R**-TRSB					
		POLYURETHANE ON ALUMINUM	BALL	350			WC 5030**-RAL	WC 5030R**-RAL					
		YOKE AXLE & NUT	-	350			WC 5030**-PAL	WC 5030R**-PAL					
							WC 5030**-YAN	WC 5030R**-YAN					
		3-1/2	1-1/4	SOFT RUBBER			NYLON	160	3-1/8	4-5/8	WC 5035**-SPU	WC 5035R**-SPU	
SOFT RUBBER	BALL			160	WC 5035**-SR	WC 5035R**-SR							
HARD RUBBER	NYLON			275	WC 5035**-HR	WC 5035R**-HR							
POLYOLEFIN	PLAIN			300	WC 5035**-HDP	WC 5035R**-HDP							
POLY-U / POLY-O (GRAY ON BEIGE)	BALL			250	WC 5035**-PPBG	WC 5035R**-PPBG							
POLY-U / POLY-O (GRAY ON BEIGE)	PLAIN			250	WC 5035**-PPPG	WC 5035R**-PPPG							
POLY-U / POLY-O (BLACK ON GRAY)	BALL			250	WC 5035**-PPBK	WC 5035R**-PPBK							
POLY-U / POLY-O (BLUE ON GRAY)	BALL			250	WC 5035**-PPBL	WC 5035R**-PPBL							
POLY-U / POLY-O (BLUE ON GRAY)	PLAIN			250	WC 5035**-PPPL	WC 5035R**-PPPL							
POLY-U / POLY-O (RED ON GRAY)	BALL			250	WC 5035**-PPBR	WC 5035R**-PPBR							
POLY-U / POLY-O (RED ON GRAY)	PLAIN			250	WC 5035**-PPPR	WC 5035R**-PPPR							
THERMOPLASTIC RUBBER	BALL			250	WC 5035**-TRB	WC 5035R**-TRB							
THERMOPLASTIC RUBBER	PLAIN			250	WC 5035**-TRP	WC 5035R**-TRP							
RUBBER ON ALUMINUM	BALL			250	WC 5035**-RAL	WC 5035R**-RAL							
POLYURETHANE ON ALUMINUM	BALL			350	WC 5035**-PAL	WC 5035R**-PAL							
YOKE AXLE & NUT	-			350	WC 5035**-YAN	WC 5035R**-YAN							
4	1-1/4			SOFT RUBBER	NYLON	170	3-1/2	5			WC 5040**-SPU	WC 5040R**-SPU	
				SOFT RUBBER	BALL	170					WC 5040**-SR	WC 5040R**-SR	
				HARD RUBBER	NYLON	275					WC 5040**-SRB	WC 5040R**-SRB	
				HARD RUBBER	BALL	275					WC 5040**-HR	WC 5040R**-HR	
				GRAY HARD RUBBER	PLAIN	255					WC 5040**-HRB	WC 5040R**-HRB	
				HIGH TEMP GLASS FILLED NYLON	STEEL	350					WC 5040**-GHR	WC 5040R**-GHR	
				HIGH TEMP PHENOLIC	STEEL	350					WC 5040**-HTGFN	WC 5040R**-HTGFN	
				PHENOLIC	STL DSW	350					WC 5040**-HTPHN	WC 5040R**-HTPHN	
		POLYOLEFIN	PLAIN	300	WC 5040**-PHN	WC 5040R**-PHN							
		STEEL (CAST IRON)	PLAIN	350	WC 5040**-HDP	WC 5040R**-HDP							
		POLY-U / POLY-O (GRAY ON BEIGE)	BALL	275	WC 5040**-STL	WC 5040R**-STL							
		POLY-U / POLY-O (GRAY ON BEIGE)	PLAIN	275	WC 5040**-PPBG	WC 5040R**-PPBG							
					WC 5040**-PPPG	WC 5040R**-PPPG							

5000 Series continued on next page.



# WC 5000 SERIES

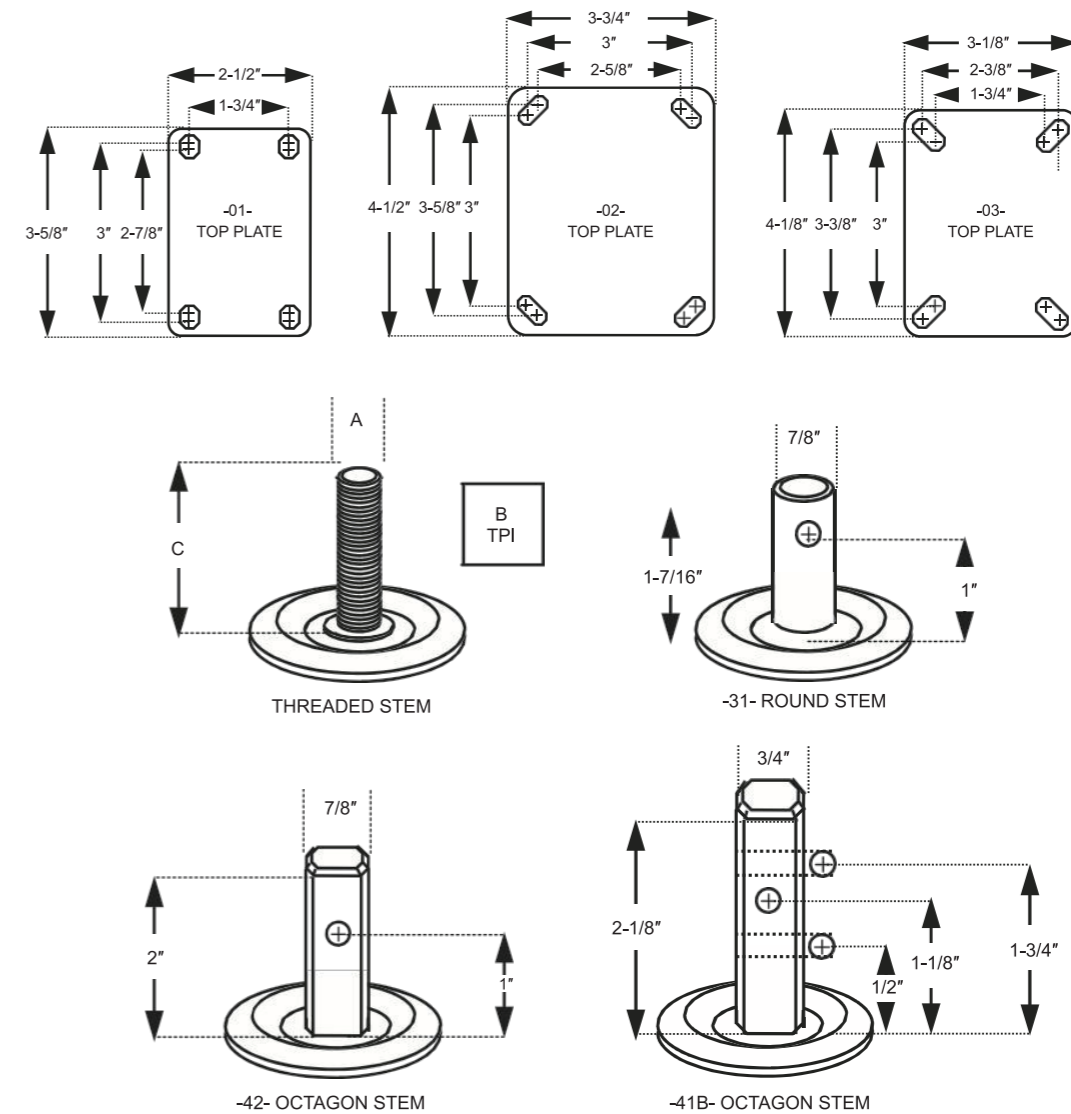
						REPLACE ** WITH FASTENER CODE						
				SWIVEL #			RIGID #					
4	1-1/4	POLU-U / POLY-O (GRAY ON GRAY)	P. BALL	275	3-1/2	5	WC5040**-PPSBG	WC5040R**-PPSBG				
		POLY-U / POLY-O (BLACK ON GRAY)	BALL	275			WC5040**-PPBK	WC5040R**-PPBK				
		POLY-U / POLY-O (BLUE ON GRAY)	BALL	275			WC5040**-PPBL	WC5040R**-PPBL				
		POLY-U / POLY-O (BLUE ON GRAY)	PLAIN	275			WC5040**-PPPL	WC5040R**-PPPL				
		POLY-U / POLY-O (RED ON GRAY)	BALL	275			WC5040**-PPBR	WC5040R**-PPBR				
		POLY-U / POLY-O (RED ON GRAY)	PLAIN	275			WC5040**-PPPR	WC5040R**-PPPR				
		THERMOPLASTIC RUBBER	BALL	250			WC5040**-TRB	WC5040R**-TRB				
		THERMOPLASTIC RUBBER	P. BALL	250			WC5040**-TRSB	WC5040R**-TRSB				
		THERMOPLASTIC RUBBER	PLAIN	250			WC5040**-TRP	WC5040R**-TRP				
		RUBBER ON ALUMINUM	BALL	250			WC5040**-RAL	WC5040R**-RAL				
		POLYURETHANE ON ALUMINUM	BALL	350			WC5040**-PAL	WC5040R**-PAL				
		YOKE AXLE & NUT	-	350			WC5040**-YAN	WC5040R**-YAN				
		5	1-1/4	SOLID POLYURETHANE			DELTRIN	350	4	6-3/16	WC5050**-SPU	WC5050R**-SPU
				SOFT RUBBER			NYLON	200			WC5050**-SR	WC5050R**-SR
SOFT RUBBER	BALL			200	WC5050**-SRB	WC5050R**-SRB						
HARD RUBBER	NYLON			280	WC5050**-HR	WC5050R**-HR						
HARD RUBBER	BALL			280	WC5050**-HRB	WC5050R**-HRB						
PHENOLIC	STL DSW			350	WC5050**-PHN	WC5050R**-PHN						
HIGH TEMP GLASS FILLED NYLON	STEEL			350	WC5050**-HTGFN	WC5050R**-HTGFN						
POLYOLEFIN	PLAIN			325	WC5050**-HDP	WC5050R**-HDP						
POLY-U / POLY-O (GRAY ON BEIGE)	BALL			300	WC5050**-PPBG	WC5050R**-PPBG						
POLY-U / POLY-O (GRAY ON BEIGE)	PLAIN			300	WC5050**-PPPG	WC5050R**-PPPG						
POLU-U / POLY-O (GRAY ON GRAY)	P. BALL			300	WC5050**-PPSBG	WC5050R**-PPSBG						
POLY-U / POLY-O (BLACK ON GRAY)	BALL			300	WC5050**-PPBK	WC5050R**-PPBK						
POLY-U / POLY-O (BLUE ON GRAY)	BALL			300	WC5050**-PPBL	WC5050R**-PPBL						
POLY-U / POLY-O (BLUE ON GRAY)	PLAIN			300	WC5050**-PPPL	WC5050R**-PPPL						
POLY-U / POLY-O (RED ON GRAY)	BALL			300	WC5050**-PPBR	WC5050R**-PPBR						
POLY-U / POLY-O (RED ON GRAY)	PLAIN			300	WC5050**-PPPR	WC5050R**-PPPR						
THERMOPLASTIC RUBBER	BALL			250	WC5050**-TRB	WC5050R**-TRB						
THERMOPLASTIC RUBBER	PLAIN			250	WC5050**-TRP	WC5050R**-TRP						
THERMOPLASTIC RUBBER	P. BALL			250	WC5050**-TRSB	WC5050R**-TRSB						
ROUND THERMOPLASTIC RUBBER	GRAPHITE			250	WC5050**-RTPO	WC5050R**-RTPO						
RUBBER ON ALUMINUM	BALL	250	WC5050**-RAL	WC5050R**-RAL								
POLYURETHANE ON ALUMINUM	BALL	350	WC5050**-PAL	WC5050R**-PAL								
YOKE AXLE & NUT	-	350	WC5050**-YAN	WC5050R**-YAN								
6	1-1/4	SOLID POLYURETHANE	DELTRIN	350	4-1/2	7-3/8	WC5060**-SPU	WC5060R**-SPU				
		POLY-U / POLY-O (GRAY ON BEIGE)	P.BALL	325			WC5060**-PPSBG	WC5060R**-PPSBG				
		THERMOPLASTIC RUBBER	P.BALL	300			WC5060**-TRSB	WC5060R**-TRSB				
		YOKE AXLE & NUT	-	350			WC5060**-YAN	WC5060R**-YAN				

## FASTENERS FOR WC 5000 SERIES

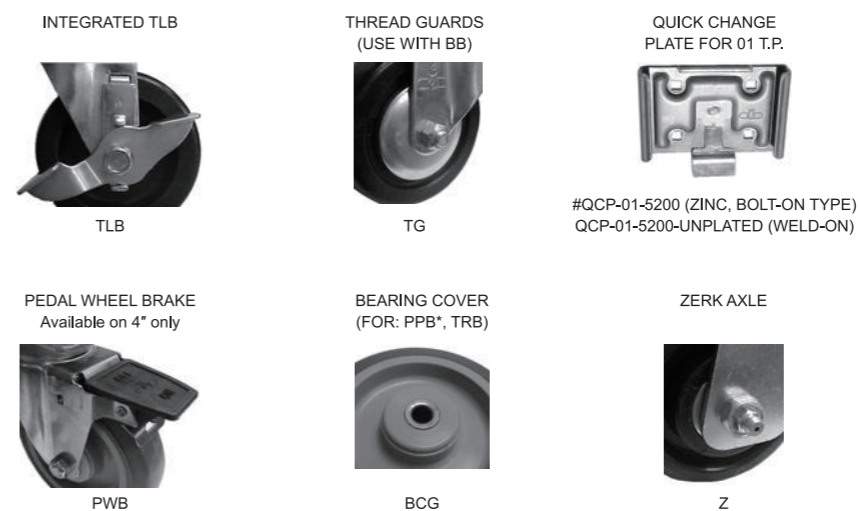
TYPE	CODE	SIZE
TOP PLATE	01	OVERALL SIZE: 2-1/2 x 3-5/8 BOLT HOLE PATTERN: 1-3/4 x 2-7/8 SLOTTED TO 3 ATTACHING BOLT SIZE: 5/16
TOP PLATE	02	OVERALL SIZE: 3-3/4 x 4-1/2 BOLT HOLE PATTERN: 2-5/8 x 3-5/8 SLOTTED TO 3 x 3 ATTACHING BOLT SIZE: 3/8
TOP PLATE	03	OVERALL SIZE: 3-1/8 x 4-1/8 BOLT HOLE PATTERN: 1-3/4 x 3 SLOTTED TO 2-3/8 x 3-3/8 ATTACHING BOLT SIZE: 3/8
THREADED STEM (WITH LOWER NUT UNDER RACEWAY)	21 22	A-B x C 1/2-13 x 1 1/2-13 x 1-1/2
ROUND PLAIN STEM	31	7/8 x 1-7/16 WITH 5/16 CROSS DRILLED HOLE 29/32 UP
OCTAGON STEM	41B 42	3/4 x 2-1/8 WITH 3 CROSS DRILLED HOLES 7/8 x 2 WITH 5/16 CROSS DRILLED HOLE 1" UP

# WC 5000 SERIES

## FASTENER DIAGRAMS



## OPTIONS FOR WC 5000 SERIES (Add option abbreviation to end of the caster part #)



SPECIAL FINISHES (FACTORY ORDER)	
POLISHED GOLD FINISH	PGF
BLACK OXIDE	BO
NICKLE	N
CHROME	CR



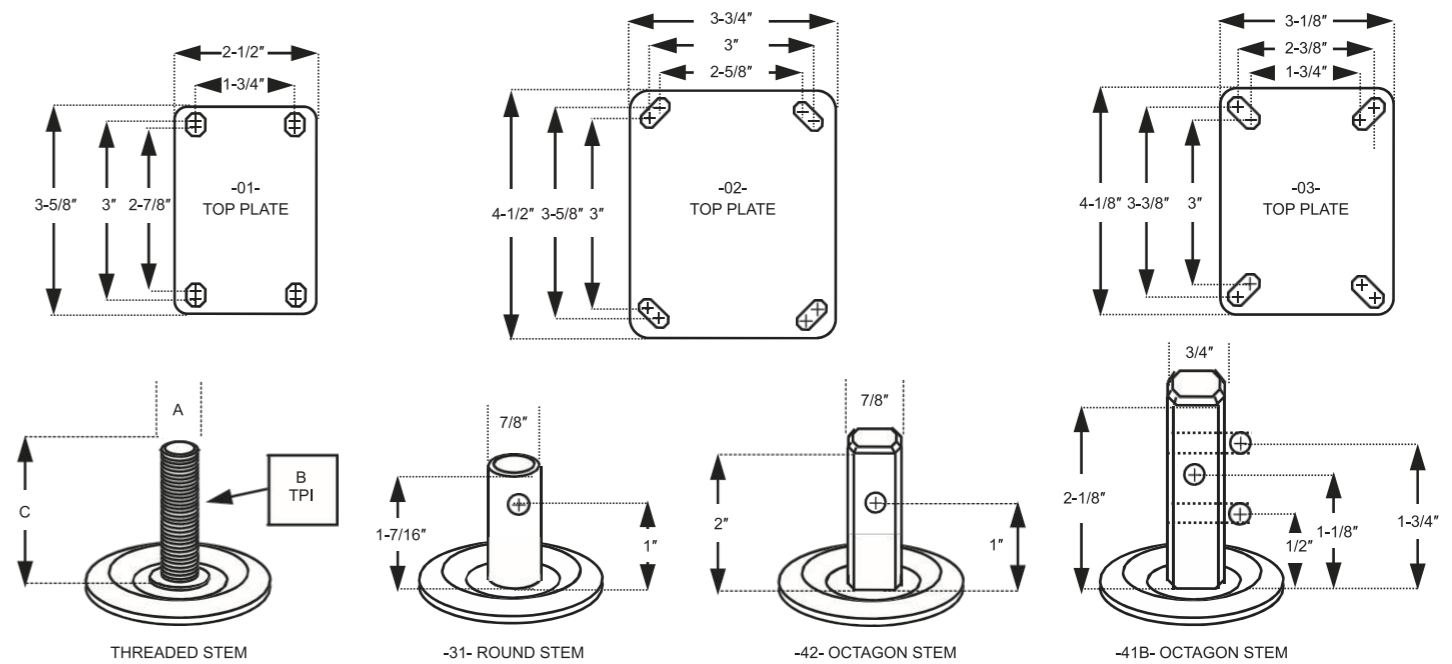
# WC S5000 SERIES

- Brightly Polished Stainless Series: Without seals, grease or zerk fittings . Great for high temperature & economical applications
- 304 STAINLESS STEEL (All metal parts are made of Stainless Steel)
- Highly resistant to conditions that would normally corrode and rust regular steel casters
- Double ball raceways provide extra capacity & durability
- Applications: Ideal for wet, damp conditions or other corrosive environments such as wash downs, restaurants, food processing plants, hospitals & other institutional applications, etc
- 3/8" axle size

								REPLACE ** WITH FASTENER CODE	
								SWIVEL #	RIGID #
3	1-1/4	SOLID POLYURETHANE	DELTRIN	300	3	4	WCS5030**-SPU	WCS5030R**-SPU	
		POLYOLEFIN	PLAIN	300			WCS5030**-HDP	WCS5030R**-HDP	
		POLYOLEFIN	SS BALL	300			WCS5030**-HDP-SB	WCS5030R**-HDP-SB	
		PHENOLIC	DELTRIN	350			WCS5030**-PHN	WCS5030R**-PHN	
		POLY-U / POLY-O (GRAY ON BEIGE)	PLAIN	250			WCS5030**-PPPG	WCS5030R**-PPPG	
		POLY-U / POLY-O (GRAY ON BEIGE)	SS BALL	250			WCS5030**-PPBG-SB	WCS5030R**-PPBG-SB	
		THERMOPLASTIC RUBBER	PLAIN	210			WCS5030**-TRP	WCS5030R**-TRP	
		THERMOPLASTIC RUBBER	SS BALL	210			WCS5030**-TRB-SB	WCS5030R**-TRB-SB	
		POLYURETHANE ON ALUMINUM	BALL	350			WCS5030**-PAL	WCS5030R**-PAL	
		RUBBER ON ALUMINUM	BALL	210			WCS5030**-RAL	WCS5030R**-RAL	
YOKE AXLE & NUT	-	350	WCS5030**-YAN	WCS5030R**-YAN					
3-1/2	1-1/4	SOLID POLYURETHANE	DELTRIN	350	3-1/8	4-5/8	WCS5035**-SPU	WCS5035R**-SPU	
		POLYOLEFIN	PLAIN	350			WCS5035**-HDP	WCS5035R**-HDP	
		PHENOLIC	DELTRIN	350			WCS5035**-PHN	WCS5035R**-PHN	
		POLY-U / POLY-O (GRAY ON BEIGE)	PLAIN	250			WCS5035**-PPPG	WCS5035R**-PPPG	
		POLY-U / POLY-O (GRAY ON BEIGE)	SS BALL	250			WCS5035**-PPBG-SB	WCS5035R**-PPBG-SB	
		THERMOPLASTIC RUBBER	PLAIN	225			WCS5035**-TRP	WCS5035R**-TRP	
		THERMOPLASTIC RUBBER	SS BALL	225			WCS5035**-TRB-SB	WCS5035R**-TRB-SB	
		POLYURETHANE ON ALUMINUM	BALL	350			WCS5035**-PAL	WCS5035R**-PAL	
		RUBBER ON ALUMINUM	BALL	225			WCS5035**-RAL	WCS5035R**-RAL	
		YOKE AXLE & NUT	-	350			WCS5035**-YAN	WCS5035R**-YAN	
4	1-1/4	SOLID POLYURETHANE	DELTRIN	350	3-1/2	5	WCS5040**-SPU	WCS5040R**-SPU	
		POLYOLEFIN	PLAIN	300			WCS5040**-HDP	WCS5040R**-HDP	
		HIGH TEMP GLASS FILLED NYLON	SS BUSHING	350			WCS5040**-HTGFN-Z	WCS5040R**-HTGFN-Z	
		HIGH TEMP PHENOLIC	SS BUSHING	350			WCS5040**-HTPHN-Z	WCS5040R**-HTPHN-Z	
		PHENOLIC	DELTRIN	350			WCS5040**-PHN	WCS5040R**-PHN	
		POLY-U / POLY-O (GRAY ON BEIGE)	PLAIN	275			WCS5040**-PPPG	WCS5040R**-PPPG	
		POLY-U / POLY-O (GRAY ON BEIGE)	SS BALL	275			WCS5040**-PPBG-SB	WCS5040R**-PPBG-SB	
		THERMOPLASTIC RUBBER	PLAIN	250			WCS5040**-TRP	WCS5040R**-TRP	
		THERMOPLASTIC RUBBER	SS BALL	250			WCS5040**-TRB-SB	WCS5040R**-TRB-SB	
		POLURETHANE ON ALUMINUM	BALL	350			WCS5040**-PAL	WCS5040R**-PAL	
RUBBER ON ALUMINUM	BALL	250	WCS5040**-RAL	WCS5040R**-RAL					
YOKE AXLE & NUT	-	350	WCS5040**-YAN	WCS5040R**-YAN					
5	1-1/4	SOLID POLYURETHANE	DELTRIN	350	4	6-3/16	WCS5050**-SPU	WCS5050R**-SPU	
		POLYOLEFIN	PLAIN	325			WCS5050**-HDP	WCS5050R**-HDP	
		PHENOLIC	DELTRIN	350			WCS5050**-PHN	WCS5050R**-PHN	
		POLY-U / POLY-O (GRAY ON BEIGE)	PLAIN	300			WCS5050**-PPPG	WCS5050R**-PPPG	
		POLY-U / POLY-O (GRAY ON BEIGE)	SS BALL	300			WCS5050**-PPBG-SB	WCS5050R**-PPBG-SB	
		THERMOPLASTIC RUBBER	PLAIN	250			WCS5050**-TRP	WCS5050R**-TRP	
		THERMOPLASTIC RUBBER	SS BALL	250			WCS5050**-TRB-SB	WCS5050R**-TRB-SB	
		ROUND THERMOPLASTIC RUBBER	GRAPHITE	250			WCS5050**-RTPO	WCS5050R**-RTPO	
		POLURETHANE ON ALUMINUM	BALL	350			WCS5050**-PAL	WCS5050R**-PAL	
		RUBBER ON ALUMINUM	BALL	250			WCS5050**-RAL	WCS5050R**-RAL	
YOKE AXLE & NUT	-	350	WCS5050**-YAN	WCS5050R**-YAN					
6	1-1/4	SOLID POLYURETHANE	DELTRIN	350	4-1/2	7-3/8	WCS5060**-SPU	WCS5060R**-SPU	
		POLY-U / POLY-O (GRAY ON BEIGE)	*BALL W/TG	325			WCS5060**-PPSBG	WCS5060R**-PPSBG	
		THERMOPLASTIC RUBBER	*BALL W/TG	300			WCS5060**-TRSB	WCS5060R**-TRSB	
		YOKE AXLE & NUT		350			WCS5060**-YAN	WCS5060R**-YAN	

# WC S5000 SERIES

## FASTENER DIAGRAMS

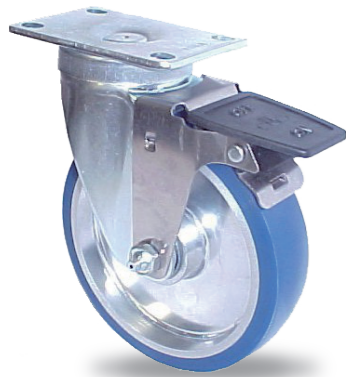


## FASTENERS FOR WC S5000 SERIES

TYPE	CODE	SIZE
TOP PLATE	01	OVERALL SIZE: 2-1/2 x 3-5/8 BOLT HOLE PATTERN: 1-3/4 x 2-7/8 SLOTTED TO 3 ATTACHING BOLT SIZE: 5/16
TOP PLATE	02	OVERALL SIZE: 3-3/4 x 4-1/2 BOLT HOLE PATTERN: 2-5/8 x 3-5/8 SLOTTED TO 3 x 3 ATTACHING BOLT SIZE: 3/8
TOP PLATE	03	OVERALL SIZE: 3-1/8 x 4-1/8 BOLT HOLE PATTERN: 1-3/4 x 3 SLOTTED TO 2-3/8 x 3-3/8 ATTACHING BOLT SIZE: 3/8
THREADED STEM (WITH LOWER NUT UNDER RACEWAY)	21 22	A-B x C 1/2-13 x 1 1/2-13 x 1-1/2
ROUND PLAIN STEM	31	7/8 x 1-7/16 WITH 5/16 CROSS DRILLED HOLE 29/32 UP
OCTAGON STEM	41B 42	3/4 x 2-1/8 WITH 3 CROSS DRILLED HOLES 7/8 x 2 WITH 5/16 CROSS DRILLED HOLE 1" UP

### OPTIONS FOR WC S5000 SERIES (Add option abbreviation to end of the caster part #)





# WC 5200 SERIES

- Capacity up to 350 lbs
- Case hardened double ball raceways provide extra capacity & durability
- Smooth staking of king pin
- Metal dust cover helps protect swivel raceway
- Integrated top lock brakes available on both swivel & rigid casters
- Applications: Light-medium material handling equipment, food service carts & equipment, bakery racks & equipment, institutional carts & equipment, miscellaneous dollies, mobile cases, displays, mobile wire racking, stock carts, textile applications, warehouse & manufacturing applications, etc



						REPLACE ** WITH FASTENER CODE						
						SWIVEL #	RIGID #					
3	1-1/4	SOLID POLYURETHANE	DELTRIN	300	2-7/8	4-1/16	WC5230**-SPU	WC5230R**-SPU				
		SOFT RUBBER	NYLON	150			WC5230**-SR	WC5230R**-SR				
		SOFT RUBBER	BALL	150			WC5230**-SRB	WC5230R**-SRB				
		HARD RUBBER	NYLON	250			WC5230**-HR	WC5230R**-HR				
		HARD RUBBER	BALL	250			WC5230**-HRB	WC5230R**-HRB				
		PHENOLIC	STL DSW	350			WC5230**-PHN	WC5230R**-PHN				
		POLYOLEFIN	PLAIN	300			WC5230**-HDP	WC5230R**-HDP				
		POLYOLEFIN	BALL	300			WC5230**-HDPB	WC5230R**-HDPB				
		STEEL (CAST IRON)	PLAIN	300			WC5230**-STL	WC5230R**-STL				
		POLY-U / POLY-O (GRAY ON BEIGE)	BALL	250			WC5230**-PPBG	WC5230R**-PPBG				
		POLY-U / POLY-O (BLUE ON GRAY)	BALL	250			WC5230**-PPBL	WC5230R**-PPBL				
		POLY-U / POLY-O (GRAY ON BEIGE)	PLAIN	250			WC5230**-PPPG	WC5230R**-PPPG				
		THERMOPLASTIC RUBBER	BALL	210			WC5230**-TRB	WC5230R**-TRB				
		THERMOPLASTIC RUBBER	PLAIN	210			WC5230**-TRP	WC5230R**-TRP				
		RUBBER ON ALUMINUM	ANNULAR	250			WC5230**-RAL	WC5230R**-RAL				
		POLYURETHANE ON ALUMINUM	ANNULAR	350			WC5230**-PAL	WC5230R**-PAL				
		YOKE AXLE & NUT	-	350			WC5230**-YAN	WC5230R**-YAN				
		3-1/2	1-1/4	SOLID POLYURETHANE			DELTRIN	350	3-1/4	4-5/8	WC5235**-SPU	WC5235R**-SPU
				SOFT RUBBER			NYLON	160			WC5235**-SR	WC5235R**-SR
HARD RUBBER	NYLON			275	WC5235**-HR	WC5235R**-HR						
POLYOLEFIN	PLAIN			300	WC5235**-HDP	WC5235R**-HDP						
POLY-U / POLY-O (GRAY ON BEIGE)	BALL			250	WC5235**-PPBG	WC5235R**-PPBG						
POLY-U / POLY-O (BLACK ON GRAY)	BALL			250	WC5235**-PPBK	WC5235R**-PPBK						
POLY-U / POLY-O (BLUE ON GRAY)	BALL			250	WC5235**-PPBL	WC5235R**-PPBL						
POLY-U / POLY-O (GRAY ON BEIGE)	PLAIN			250	WC5235**-PPPG	WC5235R**-PPPG						
THERMOPLASTIC RUBBER	BALL			250	WC5235**-TRB	WC5235R**-TRB						
THERMOPLASTIC RUBBER	PLAIN			250	WC5235**-TRP	WC5235R**-TRP						
RUBBER ON ALUMINUM	ANNULAR			250	WC5235**-RAL	WC5235R**-RAL						
POLYURETHANE ON ALUMINUM	ANNULAR			350	WC5235**-PAL	WC5235R**-PAL						
YOKE AXLE & NUT	-			350	WC5235**-YAN	WC5235R**-YAN						
4	1-1/4	SOLID POLYURETHANE	DELTRIN	350	3-1/2	5-1/8	WC5240**-SPU	WC5240R**-SPU				
		SOFT RUBBER	NYLON	170			WC5240**-SR	WC5240R**-SR				
		SOFT RUBBER	BALL	170			WC5240**-SRB	WC5240R**-SRB				
		HARD RUBBER	NYLON	275			WC5240**-HR	WC5240R**-HR				
		HARD RUBBER	BALL	275			WC5240**-HRB	WC5240R**-HRB				
		GRAY HARD RUBBER	PLAIN	255			WC5240**-GHR	WC5240R**-GHR				
		HIGH TEMP GLASS FILLED NYLON	STEEL	350			WC5240**-HTGFN	WC5240R**-HTGFN				
		HIGH TEMP PHENOLIC	STEEL	350			WC5240**-HTPHN	WC5240R**-HTPHN				
		PHENOLIC	STL DSW	350			WC5240**-PHN	WC5240R**-PHN				
		POLYOLEFIN	PLAIN	300			WC5240**-HDP	WC5240R**-HDP				
		STEEL (CAST IRON)	PLAIN	350			WC5240**-STL	WC5240R**-STL				
		POLY-U / POLY-O (GRAY ON BEIGE)	BALL	275			WC5240**-PPBG	WC5240R**-PPBG				
		POLY-U / POLY-O (BLACK ON GRAY)	BALL	275			WC5240**-PPBK	WC5240R**-PPBK				
		POLY-U / POLY-O (BLUE ON GRAY)	BALL	275			WC5240**-PPBL	WC5240R**-PPBL				
		POLY-U / POLY-O (GRAY ON BEIGE)	PLAIN	275			WC5240**-PPPG	WC5240R**-PPPG				
		THERMOPLASTIC RUBBER	BALL	250			WC5240**-TRB	WC5240R**-TRB				
		THERMOPLASTIC RUBBER	PLAIN	250			WC5240**-TRP	WC5240R**-TRP				
		RUBBER ON ALUMINUM	ANNULAR	250			WC5240**-RAL	WC5240R**-RAL				
		POLYURETHANE ON ALUMINUM	ANNULAR	350			WC5240**-PAL	WC5240R**-PAL				
		YOKE AXLE & NUT	-	350			WC5240**-YAN	WC5240R**-YAN				

Red tread colors available on Poly-U/Poly-O Wheels (PPBR)  
Single precision bearings available for Poly-U/Poly-O and Thermo Plastic Rubber wheels (PPSBG, TRSB)

# WC 5200 SERIES

						REPLACE ** WITH FASTENER CODE		
						SWIVEL #	RIGID #	
5	1-1/4	SOLID POLYURETHANE	DELTRIN	350	4	6-3/16	WC5250**-SPU	WC5250R**-SPU
		SOFT RUBBER	NYLON	200			WC5250**-SR	WC5250R**-SR
		SOFT RUBBER	BALL	200			WC5250**-SRB	WC5250R**-SRB
		HARD RUBBER	NYLON	280			WC5250**-HR	WC5250R**-HR
		HARD RUBBER	BALL	280			WC5250**-HRB	WC5250R**-HRB
		PHENOLIC	STL DSW	350			WC5250**-PHN	WC5250R**-PHN
		HIGH TEMP GLASS FILLED NYLON	STEEL	350			WC5250**-HTGFN	WC5250R**-HTGFN
		POLYOLEFIN	PLAIN	325			WC5250**-HDP	WC5250R**-HDP
		POLY-U / POLY-O (GRAY ON BEIGE)	BALL	300			WC5250**-PPBG	WC5250R**-PPBG
		POLY-U / POLY-O (BLACK ON GRAY)	BALL	300			WC5250**-PPBK	WC5250R**-PPBK
		POLY-U / POLY-O (BLUE ON GRAY)	BALL	300			WC5250**-PPBL	WC5250R**-PPBL
		POLY-U / POLY-O (GRAY ON BEIGE)	PLAIN	300			WC5250**-PPPG	WC5250R**-PPPG
		THERMOPLASTIC RUBBER	BALL	250			WC5250**-TRB	WC5250R**-TRB
		THERMOPLASTIC RUBBER	PLAIN	250			WC5250**-TRP	WC5250R**-TRP
		ROUND THERMOPLASTIC RUBBER	GRAPHITE	250			WC5250**-RTPO	WC5250R**-RTPO
		RUBBER ON ALUMINUM	ANNULAR	250			WC5250**-RAL	WC5250R**-RAL
POLYURETHANE ON ALUMINUM	ANNULAR	350	WC5250**-PAL	WC5250R**-PAL				
YOKE AXLE & NUT	-	350	WC5250**-YAN	WC5250R**-YAN				
6	1-1/4	SOLID POLYURETHANE	DELTRIN	350	4-1/2	7-3/8	WC5260**-SPU	WC5260R**-SPU
		POLY-U / POLY-O (GRAY ON BEIGE)	BALL	325			WC5260**-PPSBG	WC5260R**-PPSBG
		THERMOPLASTIC RUBBER	BALL	300			WC5260**-TRSB	WC5260R**-TRSB
		YOKE AXLE & NUT	-	350			WC5260**-YAN	WC5260R**-YAN

## FASTENERS FOR 5200 SERIES

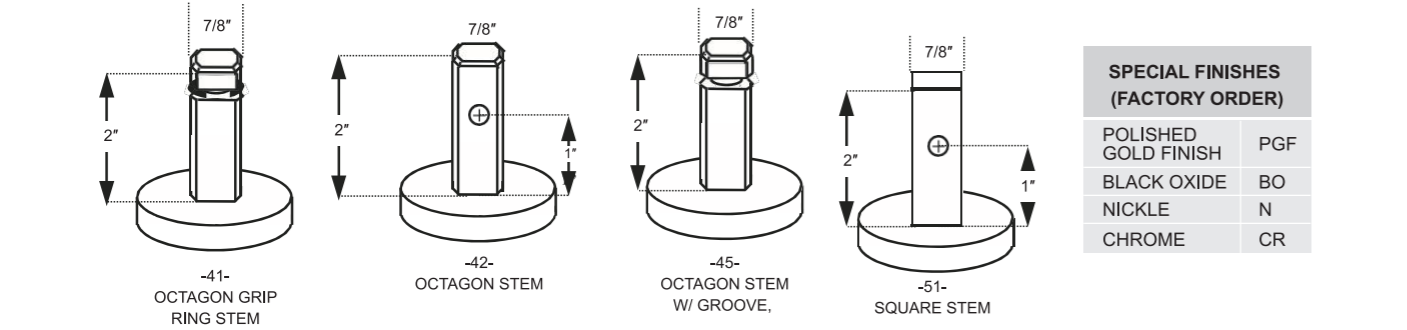
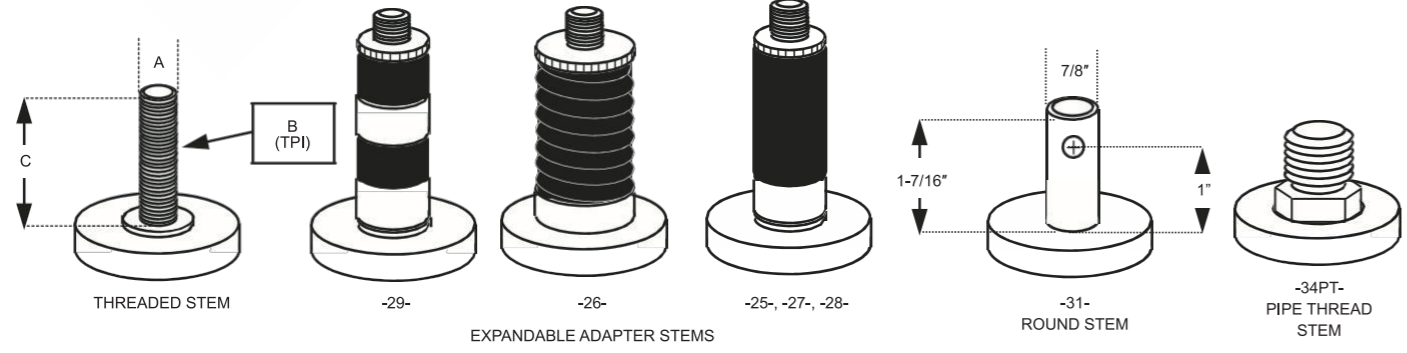
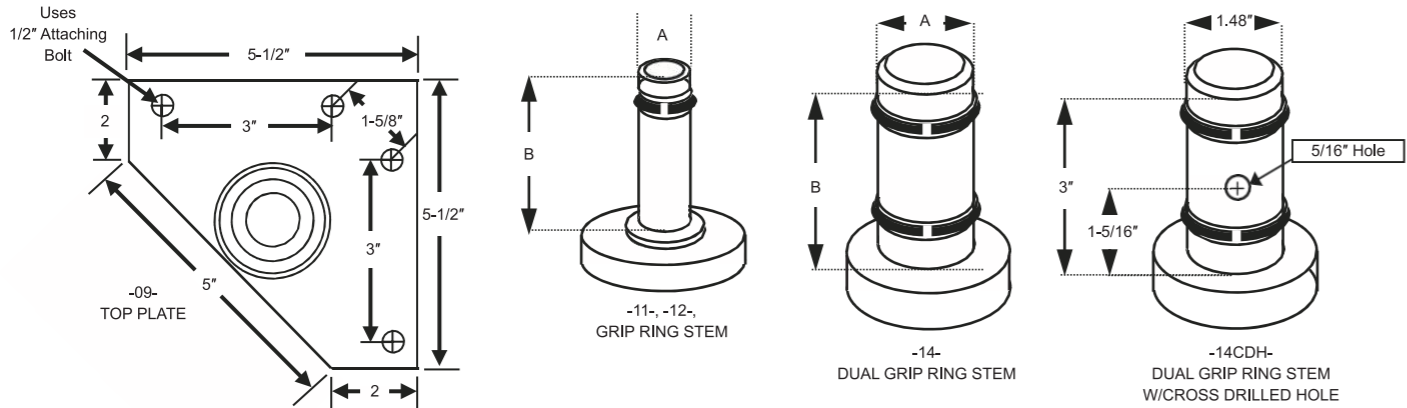
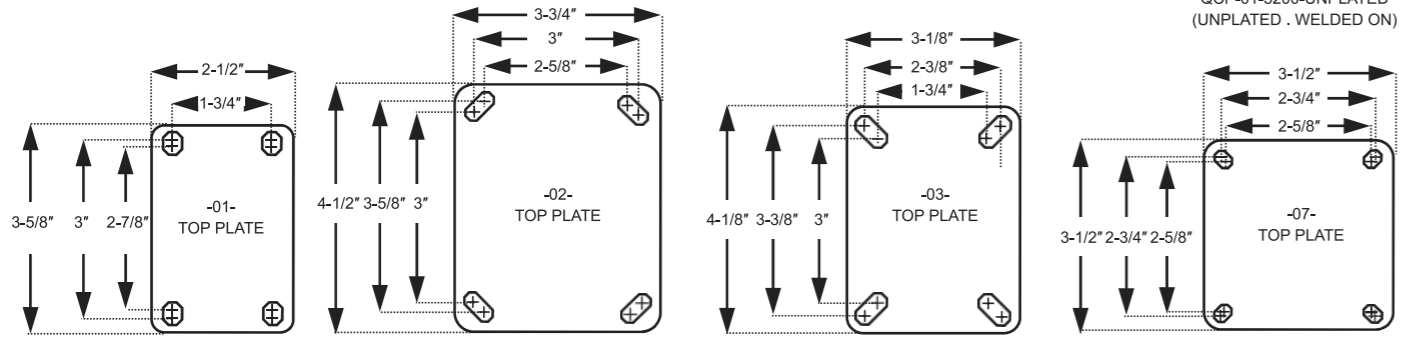
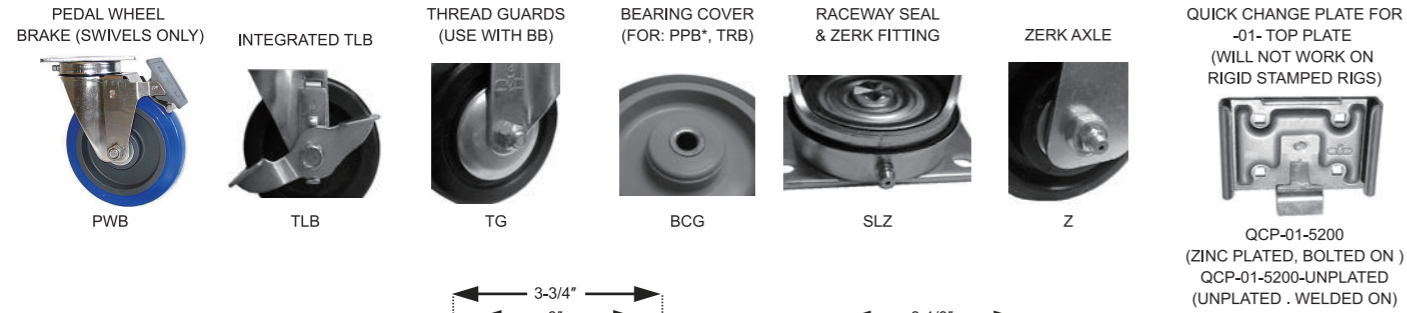
TYPE	CODE	SIZE
TOP PLATE	01	OVERALL SIZE: 2-1/2 x 3-5/8 BOLT HOLE PATTERN: 1-3/4 x 2-7/8 SLOTTED TO 3 ATTACHING BOLT SIZE: 5/16
TOP PLATE	02	OVERALL SIZE: 3-3/4 x 4-1/2 BOLT HOLE PATTERN: 2-5/8 x 3-5/8 SLOTTED TO 3 x 3 ATTACHING BOLT SIZE: 3/8
TOP PLATE	03	OVERALL SIZE: 3-1/8 x 4-1/8 BOLT HOLE PATTERN: 1-3/4 x 3 SLOTTED TO 2-3/8 x 3-3/8 ATTACHING BOLT SIZE: 3/8
TOP PLATE	07	OVERALL SIZE: 3-1/2 x 3-1/2 BOLT HOLE PATTERN: 2-5/8 x 2-5/8 TO 2-3/4 x 2-3/4 ATTACHING BOLT SIZE: 5/16
TOP PLATE (TRIANGULAR PENTAGON)	09	SPECS: SEE DRAWING ON NEXT PAGE (PAGE 19)
GRIP RING STEM	11 12 14 14CDH	7/16 x 1-1/2 .845 x 2-3/16 1.48 x 3 WITH DUAL GRIP RINGS 1.48 x 3 WITH DUAL GRIP RINGS W-5/16 CROSS DRILLED HOLE
THREADED STEM (WITH LOWER NUT UNDER RACEWAY)	21 22 23 24 26N 58134 34134 344 34PT	A-B x C 1/2-13 x 1 1/2-13 x 1-1/2 1/2-13 x 2-3/16 1/2-13 x 2-1/4 1/2-13 x 2-13/16 5/8-11 x 1-3/4 3/4-10 x 1-3/4 3/4-10 x 4
PIPE THREAD STEM		THREADED FOR 3/4 PIPE COUPLING x 3/4 LONG
EXPANDABLE ADAPTER STEMS	25 26 27 28 29	FOR 1-3/8 I.D. 1-1/2 O.D. TUBING FOR 1-1/2" I.D. 1-5/8 O.D. TUBING FOR 7/8" I.D. 1" O.D. TUBING FOR 1" I.D. 1-1/8" O.D. TUBING FOR 1-1/8" I.D. 1-1/4 O.D. TUBING
ROUND PLAIN STEM	31	7/8 x 1-7/16 WITH 5/16 CROSS DRILLED HOLE 29/32 UP
OCTAGON STEM W/ GRIP RING	41	7/8 x 2-1/4 WITH ONE GRIP RING (TOP)
OCTAGON STEM W/ CROSS DRILLED HOLE	42	7/8 x 2 WITH 5/16 CROSS DRILLED HOLE 1" UP
OCTAGON STEM W/ GROOVE (NO RING)	45	7/8 x 2-1/4 (GROOVE WITH NO GRIP RING)
SQUARE STEM	51	7/8 x 2 WITH 1/4" CROSS DRILLED HOLE 1" UP

SEE FASTENER DIAGRAMS & OPTIONS ON THE NEXT PAGE (P.19)



# WC 5200 SERIES

OPTIONS FOR WC 5200 SERIES (Add option abbreviation to end of the caster part #)



SPECIAL FINISHES (FACTORY ORDER)	
POLISHED GOLD FINISH	PGF
BLACK OXIDE	BO
NICKLE	N
CHROME	CR

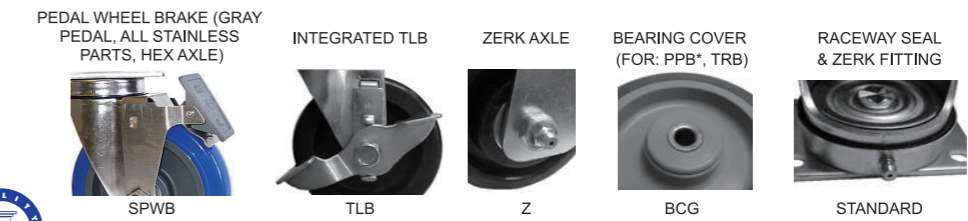
# WC S5200 SERIES



- 304 STAINLESS STEEL. Highly polished finish provides attractive appearance
- Highly resistant to conditions that would normally corrode and rust regular steel casters
- Dust cover raceway standard with zerk grease fitting
- Seals on upper raceway (Not designed for high-temp applications). Please inquire about alternatives for high-temp applications or use S5000 series (WC S5000 series does not have seals or grease in the raceways)
- Double ball raceways provide extra capacity & durability
- Balls in the raceway are also made from high quality stainless steel
- 431 stainless steel balls in the wheel available
- Applications: Ideal for wet, damp conditions or other corrosive environments such as wash downs, restaurants, food processing plants, hospitals & other institutional applications, etc

							REPLACE ** WITH FASTENER CODE					
							SWIVEL #	RIGID #				
3	1-1/4	SOLID POLYURETHANE	DELTRIN	300	2-7/8	4-1/16	WCS5230**-SPU	WCS5230R**-SPU				
		POLYOLEFIN	PLAIN	300			WCS5230**-HDP	WCS5230R**-HDP				
		POLYOLEFIN	SS BALL	300			WCS5230**-HDP-SB	WCS5230R**-HDP-SB				
		POLY-U / POLY-O (GRAY ON BEIGE)	PLAIN	250			WCS5230**-PPPG	WCS5230R**-PPPG				
		POLY-U / POLY-O (GRAY ON BEIGE)	SS BALL	250			WCS5230**-PPBG-SB	WCS5230R**-PPBG-SB				
		THERMOPLASTIC RUBBER	PLAIN	210			WCS5230**-TRP	WCS5230R**-TRP				
		THERMOPLASTIC RUBBER	SS BALL	210			WCS5230**-TRB-SB	WCS5230R**-TRB-SB				
		POLYURETHANE ON ALUMINUM	BALL	350			WCS5230**-PAL	WCS5230R**-PAL				
		RUBBER ON ALUMINUM	BALL	250			WCS5230**-RAL	WCS5230R**-RAL				
		YOKE AXLE & NUT	-	350			WCS5230**-YAN	WCS5230R**-YAN				
3-1/2	1-1/4	SOLID POLYURETHANE	DELTRIN	350	3-1/4	4-5/8	WCS5235**-SPU	WCS5235R**-SPU				
		POLY-U / POLY-O (GRAY ON BEIGE)	PLAIN	250			WCS5235**-PPPG	WCS5235R**-PPPG				
		POLY-U / POLY-O (GRAY ON BEIGE)	SS BALL	250			WCS5235**-PPBG-SB	WCS5235R**-PPBG-SB				
		THERMOPLASTIC RUBBER	PLAIN	225			WCS5235**-TRP	WCS5235R**-TRP				
		THERMOPLASTIC RUBBER	SS BALL	225			WCS5235**-TRB-SB	WCS5235R**-TRB-SB				
		POLYURETHANE ON ALUMINUM	BALL	350			WCS5235**-PAL	WCS5235R**-PAL				
		RUBBER ON ALUMINUM	BALL	250			WCS5235**-RAL	WCS5235R**-RAL				
		YOKE AXLE & NUT	-	350			WCS5235**-YAN	WCS5235R**-YAN				
		4	1-1/4	SOLID POLYURETHANE			DELTRIN	350	3-1/2	5-1/8	WCS5240**-SPU	WCS5240R**-SPU
				POLYOLEFIN			PLAIN	300			WCS5240**-HDP	WCS5240R**-HDP
POLY-U / POLY-O (GRAY ON BEIGE)	PLAIN			275	WCS5240**-PPPG	WCS5240R**-PPPG						
POLY-U / POLY-O (GRAY ON BEIGE)	SS BALL			275	WCS5240**-PPBG-SB	WCS5240R**-PPBG-SB						
THERMOPLASTIC RUBBER	PLAIN			250	WCS5240**-TRP	WCS5240R**-TRP						
THERMOPLASTIC RUBBER	SS BALL			250	WCS5240**-TRB-SB	WCS5240R**-TRB-SB						
POLYURETHANE ON ALUMINUM	BALL			350	WCS5240**-PAL	WCS5240R**-PAL						
RUBBER ON ALUMINUM	BALL			250	WCS5240**-RAL	WCS5240R**-RAL						
YOKE AXLE & NUT	-			350	WCS5240**-YAN	WCS5240R**-YAN						
5	1-1/4			SOLID POLYURETHANE	DELTRIN	350	4	6-3/16			WCS5250**-SPU	WCS5250R**-SPU
		POLYOLEFIN	PLAIN	325	WCS5250**-HDP	WCS5250R**-HDP						
		POLY-U / POLY-O (GRAY ON BEIGE)	PLAIN	300	WCS5250**-PPPG	WCS5250R**-PPPG						
		POLY-U / POLY-O (GRAY ON BEIGE)	SS BALL	300	WCS5250**-PPBG-SB	WCS5250R**-PPBG-SB						
		THERMOPLASTIC RUBBER	PLAIN	250	WCS5250**-TRP	WCS5250R**-TRP						
		THERMOPLASTIC RUBBER	SS BALL	250	WCS5250**-TRB-SB	WCS5250R**-TRB-SB						
		ROUND THERMOPLASTIC RUBBER	GRAPHITE	250	WCS5250**-RTPO	WCS5250R**-RTPO						
		POLYURETHANE ON ALUMINUM	BALL	350	WCS5250**-PAL	WCS5250R**-PAL						
		RUBBER ON ALUMINUM	BALL	250	WCS5250**-RAL	WCS5250R**-RAL						
		YOKE AXLE & NUT	-	350	WCS5250**-YAN	WCS5250R**-YAN						
6	1-1/4	SOLID POLYURETHANE	DELTRIN	350	4-1/2	7-3/8	WCS5260**-SPU	WCS5260R**-SPU				
		POLY-U / POLY-O (GRAY ON BEIGE)	*BALL W/TG	325			WCS5260**-PPSBG	WCS5260R**-PPSBG				
		THERMOPLASTIC RUBBER	*BALL W/TG	300			WCS5260**-TRSB	WCS5260R**-TRSB				
		YOKE AXLE & NUT	-	350			WCS5260**-YAN	WCS5260R**-YAN				

OPTIONS FOR WC S5200 SERIES (Add option abbreviation to end of the caster part #)

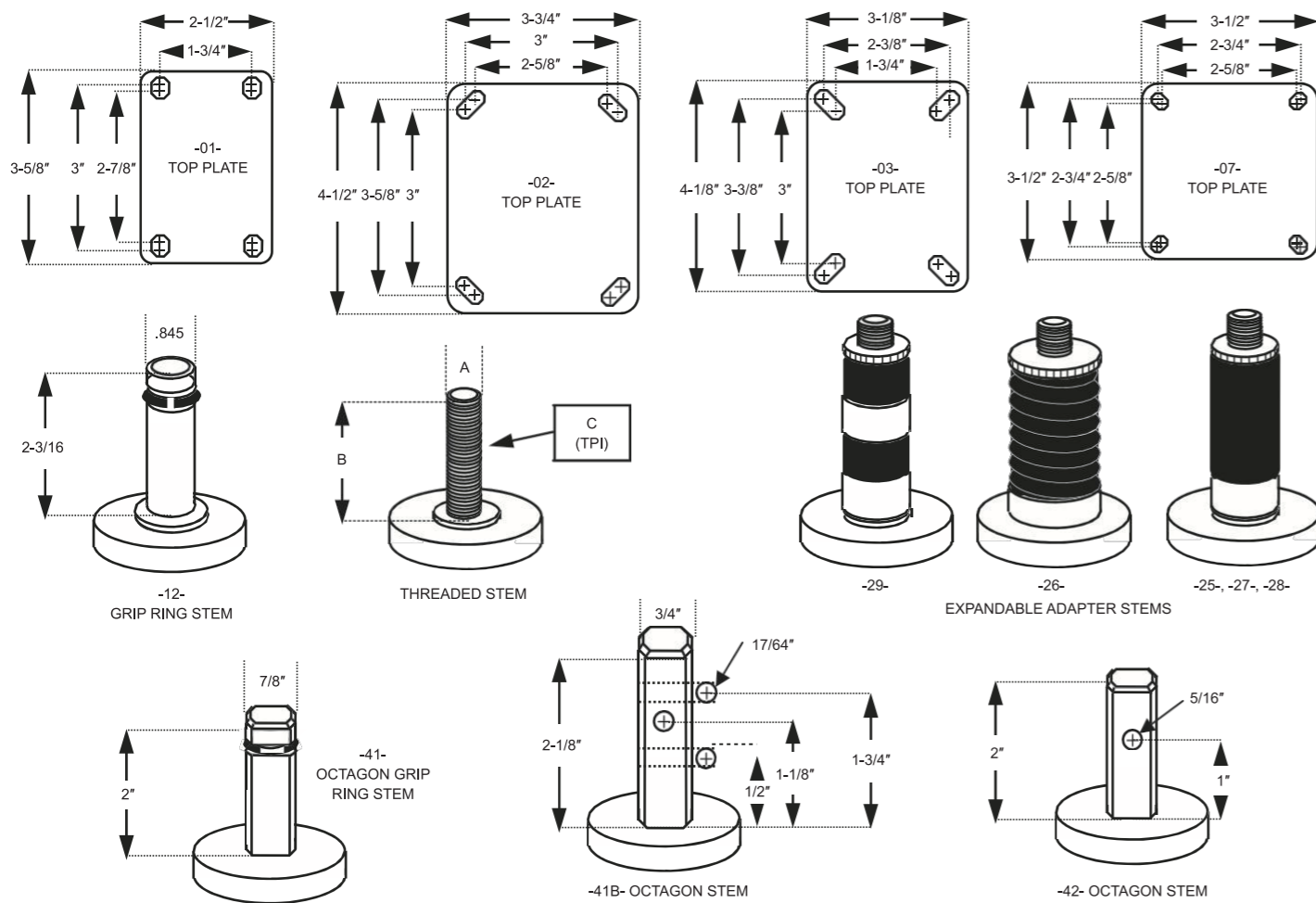


WC S5200 SERIES CASTERS AVAILABLE WITHOUT SEALS FOR HIGH-TEMP APPLICATIONS. ADD [-NS] TO THE END OF THE PART # (EXAMPLE: WCS5250-01-YAN-NS)

# WC S5200 SERIES

## FASTENERS FOR WC S5200 SERIES

TYPE	CODE	SIZE
TOP PLATE	01	OVERALL SIZE: 2-1/2 x 3-5/8 BOLT HOLE PATTERN: 1-3/4 x 2-7/8 SLOTTED TO 3 ATTACHING BOLT SIZE: 5/16
TOP PLATE	02	OVERALL SIZE: 3-3/4 x 4-1/2 BOLT HOLE PATTERN: 2-5/8 x 3-5/8 SLOTTED TO 3 x 3 ATTACHING BOLT SIZE: 3/8
TOP PLATE	03	OVERALL SIZE: 3-1/8 x 4-1/8 BOLT HOLE PATTERN: 1-3/4 x 3 SLOTTED TO 2-3/8 x 3-3/8 ATTACHING BOLT SIZE: 3/8
TOP PLATE	07	OVERALL SIZE: 3-1/2 x 3-1/2 BOLT HOLE PATTERN: 2-5/8 x 2-5/8 TO 2-3/4 x 2-3/4 ATTACHING BOLT SIZE: 5/16
GRIP RING STEM	12	.845 x 2-3/16
THREADED STEM (WITH LOWER NUT UNDER RACEWAY) (STEM FASTENERS LOWER O.H. BY 3/16")	21 22 23 26N	A-B x C 1/2-13 x 1 1/2-13 x 1-1/2 1/2-13 x 2-3/16 1/2-13 x 2-13/16
EXPANDABLE ADAPTER STEMS	25 26 27 28 29	FOR 1-3/8 I.D. 1-1/2 O.D. TUBING FOR 1-1/2" I.D. 1-5/8 O.D. TUBING FOR 7/8" I.D. 1" O.D. TUBING FOR 1" I.D. 1-1/8" O.D. TUBING FOR 1-1/8" I.D. 1-1/4 O.D. TUBING
OCTAGON STEM	41 41B 42	7/8 x 2-1/4 WITH GRIP RING 3/4 x 2-1/8 WITH 3 CROSS DRILLED HOLES 7/8 x 2 WITH 5/16 CROSS DRILLED HOLE 1" UP



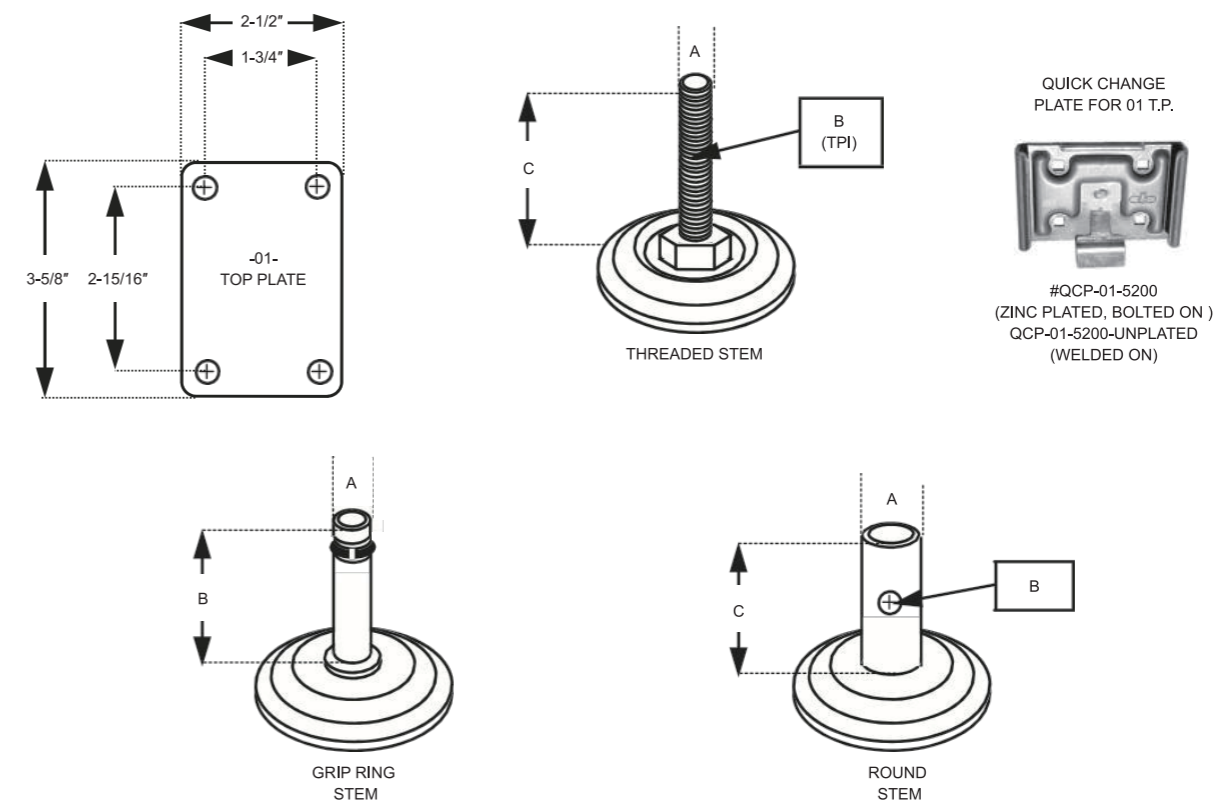
# WC 5400 SERIES

- Total lock brake, locks both the wheel and the swivel raceway from turning. Brake activates by stepping on the trailing foot pedal, and deactivates by stepping on the top of the lever
- Capacity up to 350 lbs
- Chrome plated finish provides excellent protection and looks great.
- Full thread guards provide protection for the bearings
- Case hardened double ball raceways provide extra capacity & durability
- Applications: Light-medium material handling equipment, food service carts & equipment, bakery racks & equipment, institutional carts & equipment, miscellaneous dollies, mobile cases, displays, mobile wire racking, stock carts, textile applications, warehouse & manufacturing applications, etc

						REPLACE ** WITH FASTENER CODE
						SWIVEL #
3	1-1/4	THERMOPLASTIC RUBBER	BALL	180		4-1/2
4	1-1/4	THERMOPLASTIC RUBBER	BALL	200	*3-11/16	5-1/2
5	1-1/4	THERMOPLASTIC RUBBER	BALL	220		6-15/32

## FASTENERS FOR WC 5400 SERIES

TYPE	CODE	SIZE
TOP PLATE	01	OVERALL: 2-1/2 x 3-5/8 HOLE SPACING: 1-3/4 x 2-15/16 ATTACHING BOLT SIZE: 5/16
GRIP RING	11 12 13	7/16 x 1-1/2 .845 x 2-3/16 1 x 2
THREADED STEM	21 23	1/2-13 x 1-1/2 5/8-11 x 1
PLAIN ROUND STEM	31 34	7/8 x 2" with 5/16 cross drilled hole 1-1/8 up 1-1/4 x 2-1/4 cross drilled hole 1-15/32 up





# WC 5500 SERIES

- Case hardened double ball raceways provide extra capacity & durability
- Smooth staking of king pin.
- Metal dust cover helps protect swivel raceway.
- Integrated top lock brakes available on swivel
- Applications: Light-medium material handling equipment, food service carts & equipment, bakery racks & equipment, institutional carts & equipment, miscellaneous dollies, mobile cases, displays, mobile wire racking, stock carts, textile applications, warehouse & manufacturing applications, etc.

						REPLACE ** WITH FASTENER CODE	
						SWIVEL #	RIGID #
3	DURAPLAS (POLYOLEFIN) DURAPLAS (POLYOLEFIN) NYLON YOKE AXLE & NUT	OILLESS ROLLER ROLLER -	500	3-1/16	4-1/16	WC5530**-XDPO WC5530**-XDP-RB-Z WC5530**-NYL-Z WC5530**-YAN	WC5530R**-XDPO WC5530R**-XDP-RB-Z WC5530R**-NYL-Z WC5530R**-YAN
4	1-5/8 SOFT RUBBER	PLAIN	250	3-5/8	5-1/8	WC5540**-SR	WC5540R**-SR
	1-5/8 DURAPLAS (POLYOLEFIN)	OILLESS	400			WC5540**-XDPO	WC5540R**-XDPO
	1-1/2 DURAPLAS (POLYOLEFIN)	ROLLER	400			WC5540**-XDP-RB-Z	WC5540R**-XDP-RB-Z
	1-5/8 HARD RUBBER	PLAIN	400			WC5540**-HR	WC5540R**-HR
	1-1/2 POLY-U ON POLY-O (BLUE ON BLACK)	ROLLER	400			WC5540**-XLB-Z	WC5540R**-XLB-Z
	1-1/2 PHENOLIC	ROLLER	400			WC5540**-PHN-Z	WC5540R**-PHN-Z
	1-1/2 RUBBER ON CAST IRON	ROLLER	400			WC5540**-RCI-Z	WC5540R**-RCI-Z
	1-1/2 POLYURETHANE ON CAST IRON	ROLLER	400			WC5540**-PCI-Z	WC5540R**-PCI-Z
1-1/2 STEEL (CAST IRON)	ROLLER	400	WC5540**-STL-Z	WC5540R**-STL-Z			
1-1/2 YOKO AXLE & NUT	-	400	WC5540**-YAN	WC5540R**-YAN			
5	1-5/8 DURAPLAS (POLYOLEFIN)	OILLESS	400	4	6-3/16	WC5550**-XDPO	WC5550R**-XDPO
	1-1/2 DURAPLAS (POLYOLEFIN)	ROLLER				WC5550**-XDP-RB-Z	WC5550R**-XDP-RB-Z
	1-1/2 POLY-U ON POLY-O (BLUE ON BLACK)	ROLLER				WC5550**-XLB-Z	WC5550R**-XLB-Z
	1-1/2 PHENOLIC	ROLLER				WC5550**-PHN-Z	WC5550R**-PHN-Z
	1-1/2 RUBBER ON CAST IRON	ROLLER				WC5550**-RCI-Z	WC5550R**-RCI-Z
	1-1/2 POLYURETHANE ON CAST IRON	ROLLER				WC5550**-PCI-Z	WC5550R**-PCI-Z
	1-1/2 STEEL (CAST IRON)	ROLLER				WC5550**-STL-Z	WC5550R**-STL-Z
1-1/2 YOKO AXLE & NUT	-	WC5550**-YAN	WC5550R**-YAN				
6	1-5/8 DURAPLAS (POLYOLEFIN)	OILLESS	400	4-1/2	7-1/2	WC5560**-XDPO	WC5560R**-XDPO
	1-1/2 DURAPLAS (POLYOLEFIN)	ROLLER				WC5560**-XDP-RB-Z	WC5560R**-XDP-RB-Z
	1-1/2 POLY-U ON POLY-O (BLUE ON BLACK)	ROLLER				WC5560**-XLB-Z	WC5560R**-XLB-Z
	1-1/2 PHENOLIC	ROLLER				WC5560**-PHN-Z	WC5560R**-PHN-Z
	1-1/2 RUBBER ON CAST IRON	ROLLER				WC5560**-RCI-Z	WC5560R**-RCI-Z
	1-1/2 POLYURETHANE ON CAST IRON	ROLLER				WC5560**-PCI-Z	WC5560R**-PCI-Z
	1-1/2 THERMOPLASTIC RUBBER	ROLLER				WC5560**-TPR-Z	WC5560R**-TPR-Z
	1-1/2 THERMOPLASTIC RUBBER	DELTRIN				WC5560**-TPR-DB	WC5560R**-TPR-DB
	1-1/2 STEEL (CAST IRON)	ROLLER				WC5560**-STL-Z	WC5560R**-STL-Z
1-1/2 YOKO AXLE & NUT	-	WC5560**-YAN	WC5560R**-YAN				

AXLE SIZE FOR 3", 4" & 5" CASTERS IS 3/8" AXLE SIZE FOR 6" CASTERS IS 1/2".

### OPTIONS FOR WC 5500 SERIES

RACEWAY SEAL & ZERK FITTING (FACTORY ORDER)



SLZ

INTEGRATED TLB



TLB

THREAD GUARDS (USE WITH BB/RB)



TG

ZERK AXLE



Z

QUICK CHANGE PLATE FOR 01 T.P.



#QCP-01-5200 (ZINC, BOLT-ON TYPE)  
QCP-01-5200-UNPLATED (WELD-ON)

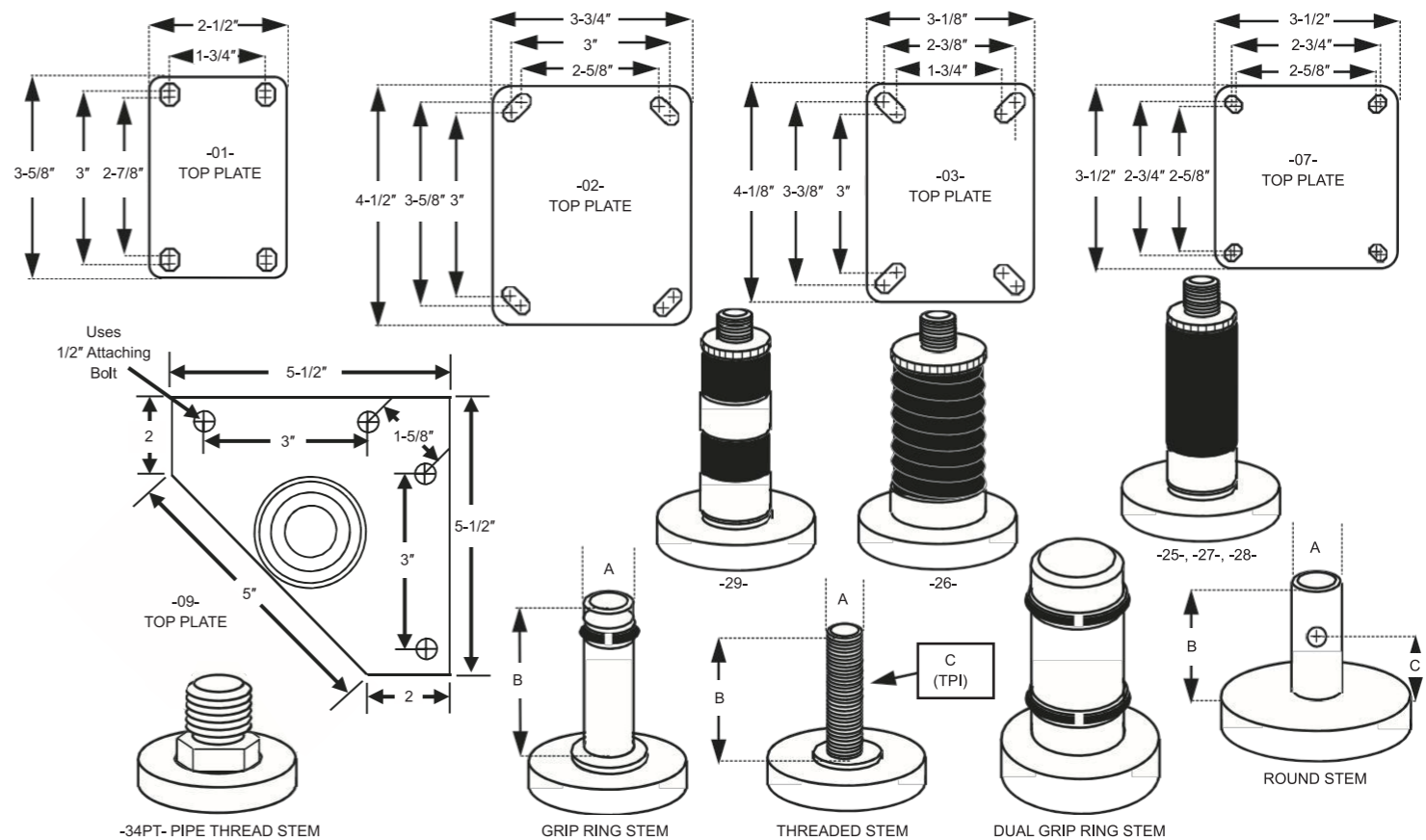
SPECIAL FINISHES (FACTORY ORDER)

POLISHED GOLD FINISH	PGF
BLACK OXIDE	BO
NICKLE	N
CHROME	CR

# WC 5500 SERIES

## FASTENERS FOR WC 5500 SERIES

TYPE	CODE	SIZE
TOP PLATE	01	OVERALL SIZE: 2-1/2 x 3-5/8 BOLT HOLE PATTERN: 1-3/4 x 2-7/8 SLOTTED TO 3 ATTACHING BOLT SIZE: 5/16
TOP PLATE	02	OVERALL SIZE: 3-3/4 x 4-1/2 BOLT HOLE PATTERN: 2-5/8 x 3-5/8 SLOTTED TO 3 x 3 ATTACHING BOLT SIZE: 3/8
TOP PLATE	03	OVERALL SIZE: 3-1/8 x 4-1/8 BOLT HOLE PATTERN: 1-3/4 x 3 SLOTTED TO 2-3/8 x 3-3/8 ATTACHING BOLT SIZE: 3/8
TOP PLATE	07	OVERALL SIZE: 3-1/2 x 3-1/2 BOLT HOLE PATTERN: 2-5/8 x 2-5/8 TO 2-3/4 x 2-3/4 ATTACHING BOLT SIZE: 5/16
TOP PLATE (TRIANGULAR PENTAGRAM)	09	SPECS: SEE BELOW DRAWING
GRIP RING STEM	12	A x B .845 x 2-3/16
	14	1.48 x 3 WITH TWO GRIP RINGS (TOP & BOTTOM)
	14CDH	1.48 x 3 WITH TWO GRIP RINGS (TOP & BOTTOM) AND A 5/16 CROSS DRILLED HOLE 1-5/16 UP.
THREADED STEM PIPE THREAD (NPT)	21	A-B x C 1/2-13 x 1
	22	1/2-13 x 1-1/2
	23	1/2-13 x 2-3/16
	24	5/8-11 x 1-3/4
	26N	1/2-13 x 2-11/16
	34134	3/4-10 x 1-3/4
EXPANDABLE ADAPTER STEMS	25 to 29	SEE FASTENER CHART FOR 5200 SERIES
ROUND PLAIN STEM	18	1.48 x 2 WITH A 3/8-24 THREADED, CROSSDRILLED HOLE 1-5/6 UP ON CENTER.
	31	7/8 x 1-7/16 WITH 5/16 CROSS DRILLED HOLE 29/32 UP
	33	1 x 2-7/16 WITH A 13/32 CROSS DRILLED HOLE, 1" UP
OCTAGON STEM	42	7/8 x 2 WITH 5/16 CROSS DRILLED HOLE 1" UP



# WC 5600 SERIES



- Capacity up to 500 lbs
- Yoke is cut and stamped from heavily embossed steel
- Case hardened double ball raceways provide extra capacity & durability
- 1/2" king pin is hydraulically upset to increase shock absorbing capacity
- Applications: Light-medium duty material handling equipment, food service carts & equipment, bakery racks & equipment, institutional carts & equipment, miscellaneous dollies, mobile cases, displays, mobile wire racking, stock carts, textile applications, warehouse & manufacturing applications, air cargo decks, ground support equipment, conveyors, etc



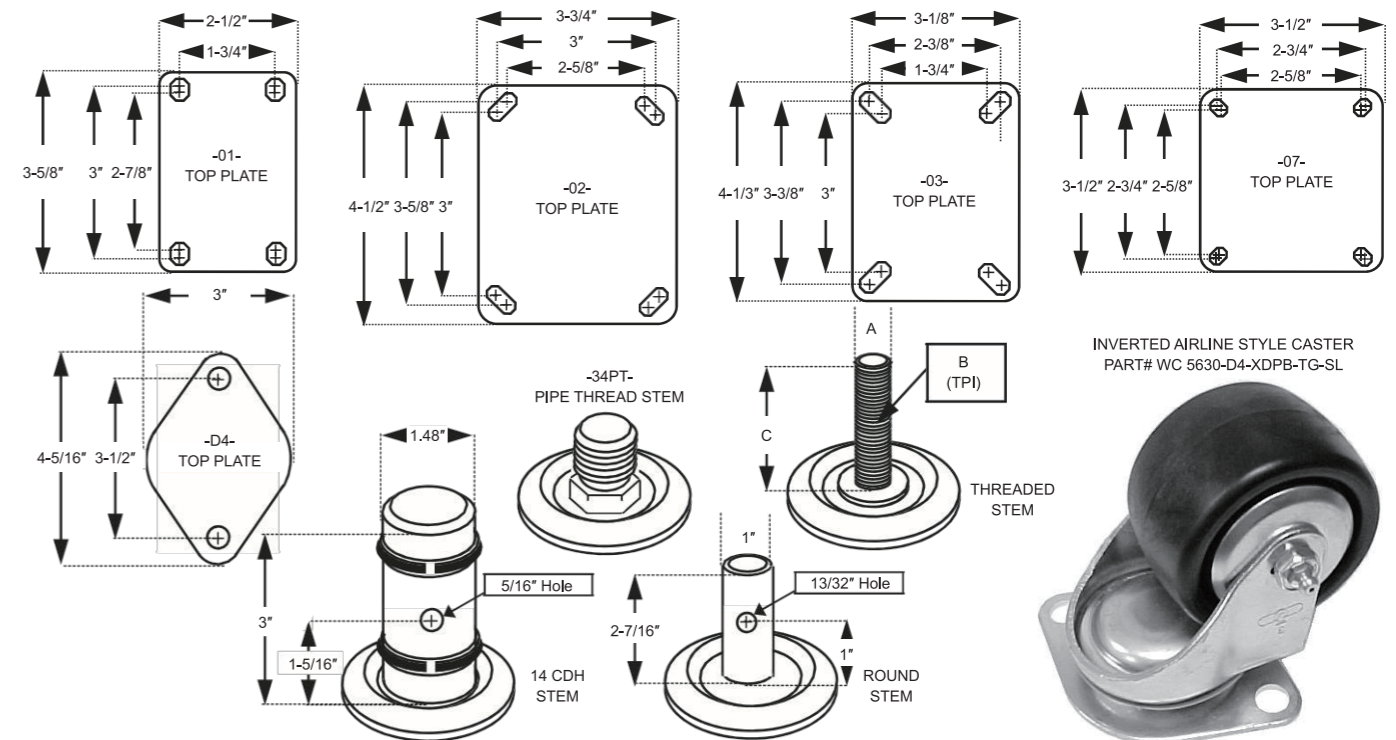
								REPLACE ** WITH FASTENER CODE	
								SWIVEL #	RIGID #
2-1/2	1-3/4	DURAPLAS (POLYOLEFIN) DURAPLAS (POLYOLEFIN)	OILLESS BALL	400	2-3/8	3-1/2	WC5625**-XDPO WC5625**HDPB	WC5625R**-XDPO WC5625R**HDPB	
3	1-13/16	DURAPLAS (POLYOLEFIN) DURAPLAS (POLYOLEFIN) DURAPLAS (POLYOLEFIN) NYLON YOKE AXLE & NUT	OILLESS ROLLER P.BALL ROLLER ROLLER -	500	2-7/8	3-7/8	WC5630**-XDPO WC5630**-XDP-RB-Z WC5630-D4-XDPB-TG-SL WC5630**-NYL-Z WC5630**-YAN	WC5630R**-XDPO WC5630R**-XDP-RB-Z N/A WC5630R**-NYL-Z WC5630R**-YAN	
4	*2	DURAPLAS (POLYOLEFIN) DURAPLAS (POLYOLEFIN) YOKE AXLE & NUT	DELRIN ROLLER -	375	3-1/8	5	WC5640**-XDP-DBD WC5640**-XDP WC5640**-YAN	WC5640R**-XDP-DBD WC5640R**-XDP WC5640R**-YAN	
5	*2	DURAPLAS (POLYOLEFIN) DURAPLAS (POLYOLEFIN) PHENOLIC PHENOLIC POLY-U ON POLY-O (BLUE ON BLACK) POLY-U ON POLY-O (BLUE ON BLACK) RUBBER ON CAST IRON RUBBER ON CAST IRON THERMOPLASTIC RUBBER THERMOPLASTIC RUBBER YOKE AXLE & NUT	DELRIN ROLLER DELRIN ROLLER DELRIN ROLLER DELRIN ROLLER DELRIN ROLLER DELRIN ROLLER DELRIN ROLLER DELRIN ROLLER -	375	4	6-3/16	WC5650**-XDP-DBD WC5650**-XDP WC5650**-PHN-DBD WC5650**-PHN WC5650**-XLB-DBD WC5650**-XLB WC5650**-RCI-DBD WC5650**-RCI WC5650**-TPR-DBD WC5650**-TPR WC5650**-YAN	WC5650R**-XDP-DBD WC5650R**-XDP WC5650R**-PHN-DBD WC5650R**-PHN WC5650R**-XLB-DBD WC5650R**-XLB WC5650R**-RCI-DBD WC5650R**-RCI WC5650R**-TPR-DBD WC5650R**-TPR WC5650R**-YAN	
6	*2	PNEUMATIC (BLACK) PNEUMATIC (FOAM) POLYOLEFIN DURAPLAS (POLYOLEFIN) DURAPLAS (POLYOLEFIN) DURAPLAS (POLYOLEFIN) DURAPLAS (POLYOLEFIN) PHENOLIC PHENOLIC POLY-U ON POLY-O (BLUE ON BLACK) POLY-U ON POLY-O (BLUE ON BLACK) RUBBER ON CAST IRON RUBBER ON CAST IRON THERMOPLASTIC RUBBER THERMOPLASTIC RUBBER ROUND THERMOPLASTIC RUBBER ROUND THERMOPLASTIC RUBBER YOKE AXLE & NUT	BALL BALL PLAIN PLAIN OILITE DELRIN ROLLER DELRIN ROLLER DELRIN ROLLER DELRIN ROLLER DELRIN ROLLER DELRIN ROLLER DELRIN ROLLER DELRIN ROLLER DELRIN ROLLER DELRIN ROLLER -	275 150 375 375 375 375 375 375 375 375 375 375 375 375 375 375 375	4-1/2	7-3/8	WC5660**-B-BB WCP5660**-B-FOAM WC5660**-HDP-PB WC5660**-XDP-PB WC5660**-XDPO WC5660**-XDP-DBD WC5660**-XDP WC5660**-PHN-DBD WC5660**-PHN WC5660**-XLB-DBD WC5660**-XLB WC5660**-RCI-DBD WC5660**-RCI WC5660**-TPR-DBD WC5660**-TPR WC5660**-RTP-DBD WC5660**-RTP WC5660**-YAN	WCP5660R**-B-BB WCP5660R**-B-FOAM WC5660R**-HDP-PB WC5660R**-XDP-PB WC5660R**-XDPO WC5660R**-XDP-DBD WC5660R**-XDP WC5660R**-PHN-DBD WC5660R**-PHN WC5660R**-XLB-DBD WC5660R**-XLB WC5660R**-RCI-DBD WC5660R**-RCI WC5660R**-TPR-DBD WC5660R**-TPR WC5660R**-RTP-DBD WC5660R**-RTP WC5660R**-YAN	

AXLE SIZE FOR 2-1/2" & 3" CASTERS IS 3/8" AXLE SIZE FOR 4", 5" & 6" CASTERS IS 1/2".

\* All 2" Wide Wheels Available

# WC 5600 SERIES FASTENERS FOR WC 5600 SERIES

TYPE	CODE	SIZE
TOP PLATE	01	OVERALL SIZE: 2-1/2 x 3-5/8 BOLT HOLE PATTERN: 1-3/4 x 2-7/8 SLOTTED TO 3/16 ATTACHING BOLT SIZE: 5/16
TOP PLATE	02	OVERALL SIZE: 3-3/4 x 4-1/2 BOLT HOLE PATTERN: 2-5/8 x 3-5/8 SLOTTED TO 3 x 3 ATTACHING BOLT SIZE: 3/8
TOP PLATE	03	OVERALL SIZE: 3-1/8 x 4-1/8 BOLT HOLE PATTERN: 1-3/4 x 3 to 2-3/8 x 3-3/8 ATTACHING BOLT SIZE: 3/8
TOP PLATE (DIAMOND SHAPE) STANDARD INVERT PLATE. SL, TG & LOWER RACEWAY METAL DUST COVERS COME STANDARD WITH D4 PLATE.	D4	OVERALL SIZE: 4-5/16 x 3 BOLT HOLE PATTERN: 3-1/2 ON CENTER ATTACHING BOLT SIZE: 7/16
TOP PLATE	07	OVERALL SIZE: 3-1/2 x 3-1/2 BOLT HOLE PATTERN: 2-5/8 x 2-5/8 TO 2-3/4 x 2-3/4 ATTACHING BOLT SIZE: 5/16
GRIP RING STEM	14CDH	1.48 x 3 WITH TWO GRIP RINGS (TOP & BOTTOM) AND A 5/16 CROSS DRILLED HOLE 1-5/16 UP
THREADED STEM	21 22 24 25 34134 34PT	A-B x C 1/2-13 x 1 1/2-13 x 1-1/2 5/8-11 x 1-3/4 1/2-13 x 1-3/4 3/4-10 x 1-3/4 THREADED FOR 3/4 PIPE COUPLING x 3/4 LONG
ROUND STEM	33	1 x 2-7/16 WITH A 13/32 CROSS DRILLED HOLE, 1" UP



### OPTIONS FOR WC 5600 SERIES (Add option abbreviation to end of the caster part #)

<p>INTEGRATED TLB</p> <p>TLB</p>	<p>THREAD GUARDS (USE WITH BB)</p> <p>TG</p>	<p>ZERK AXLE</p> <p>Z</p>	<p>QUICK CHANGE PLATE FOR 01 T.P.</p> <p>#QCP-01-5200 (ZINC, BOLT-ON TYPE) QCP-01-5200-UNPLATED (WELD-ON)</p>
----------------------------------	--	---------------------------	---

SPECIAL FINISHES (FACTORY ORDER)	
POLISHED GOLD FINISH	PGF
BLACK OXIDE	BO
NICKLE	N
CHROME	CR



# WC 5700 SERIES



- Economy total-lock series.
- Total-lock brake system has one pedal that locks down both the swivel and the wheel simultaneously
- Case hardened double ball raceways provide extra capacity & durability
- Thermoplastic rubber and polyurethane on polyolefin wheels do not mark floors, and come with a single precision ball bearing with integrated spanner bushing & thread guard.
- Applications: Movie and soundstage equipment, hospital/medical equipment, computer equipment stands and mobile workstations, electronics and hi-technology equipment and carts, diagnostic equipment, etc
- 3/8" axle size



						REPLACE ** WITH FASTENER CODE			
						TOTAL LOCK #	SWIVEL #	RIGID #	
3	1-1/4	SOFT RUBBER	NYLON	150	4-5/16	4-1/4	WC5730**-SR-SWB	WC5730**-SR	WC5730R**-SR
		SOFT RUBBER	BALL	150			WC5730**-SRB-SWB	WC5730**-SRB	WC5730R**-SRB
		POLY-U ON POLY-O (R/G)	BALL	250			WC5730**-PPBR-SWB	WC5730**-PPBR	WC5730R**-PPBR
		POLY-U ON POLY-O (G/G)	P.BALL	250			WC5730**-PPSBG-SWB	WC5730**-PPSBG	WC5730R**-PPSBG
		POLY-U ON POLY-O (G/B)	PLAIN	250			WC5730**-PPPG-SWB	WC5730**-PPPG	WC5730R**-PPPG
		THERMOPLASTIC RUBBER	BALL	210			WC5730**-TRB-SWB	WC5730**-TRB	WC5730R**-TRB
		THERMOPLASTIC RUBBER	PLAIN	210			WC5730**-TRP-SWB	WC5730**-TRP	WC5730R**-TRP
		THERMOPLASTIC RUBBER	P.BALL	210			WC5730**-TRSB-SWB	WC5730**-TRSB	WC5730R**-TRSB
		RUBBER ON ALUMINUM	BALL	240			WC5730**-RAL-SWB	WC5730**-RAL	WC5730R**-RAL
		POLYURETHANE ON ALUMINUM	BALL	240			WC5730**-PAL-SWB	WC5730**-PAL	WC5730R**-PAL
		YOKE AXLE & NUT	-	240			WC5730**-YAN-SWB	WC5730**-YAN	WC5730R**-YAN
		4	1-1/4	SOFT RUBBER			NYLON	170	4-5/16
SOFT RUBBER	BALL			170	WC5740**-SRB-SWB	WC5740**-SRB	WC5740R**-SRB		
POLY-U ON POLY-O (G/B)	BALL			250	WC5740**-PPBG-SWB	WC5740**-PPBG	WC5740R**-PPBG		
POLY-U ON POLY-O (G/G)	P.BALL			250	WC5740**-PPSBG-SWB	WC5740**-PPSBG	WC5740R**-PPSBG		
POLY-U ON POLY-O (G/B)	PLAIN			250	WC5740**-PPPG-SWB	WC5740**-PPPG	WC5740R**-PPPG		
THERMOPLASTIC RUBBER	BALL			250	WC5740**-TRB-SWB	WC5740**-TRB	WC5740R**-TRB		
THERMOPLASTIC RUBBER	PLAIN			250	WC5740**-TRP-SWB	WC5740**-TRP	WC5740R**-TRP		
THERMOPLASTIC RUBBER	P.BALL			250	WC5740**-TRSB-SWB	WC5740**-TRSB	WC5740R**-TRSB		
RUBBER ON ALUMINUM	BALL			250	WC5740**-RAL-SWB	WC5740**-RAL	WC5740R**-RAL		
POLYURETHANE ON ALUMINUM	BALL			250	WC5740**-PAL-SWB	WC5740**-PAL	WC5740R**-PAL		
YOKE AXLE & NUT	-			250	WC5740**-YAN-SWB	WC5740**-YAN	WC5740R**-YAN		
5	1-1/4			SOFT RUBBER	NYLON	200	4-5/16	6-1/4	
		SOFT RUBBER	BALL	200	WC5750**-SRB-SWB	WC5750**-SRB			WC5750R**-SRB
		POLY-U ON POLY-O (G/B)	BALL	275	WC5750**-PPBG-SWB	WC5750**-PPBG			WC5750R**-PPBG
		POLY-U ON POLY-O (G/G)	P.BALL	250	WC5750**-PPSBG-SWB	WC5750**-PPSBG			WC5750R**-PPSBG
		POLY-U ON POLY-O (G/B)	PLAIN	275	WC5750**-PPPG-SWB	WC5750**-PPPG			WC5750R**-PPPG
		THERMOPLASTIC RUBBER	BALL	250	WC5750**-TRB-SWB	WC5750**-TRB			WC5750R**-TRB
		THERMOPLASTIC RUBBER	PLAIN	250	WC5750**-TRP-SWB	WC5750**-TRP			WC5750R**-TRP
		THERMOPLASTIC RUBBER	P.BALL	250	WC5750**-TRSB-SWB	WC5750**-TRSB			WC5750R**-TRSB
		ROUND THERMOPLASTIC RUBBER	GRAPHITE	250	WC5750**-RTPO-SWB	WC5750**-RTPO			WC5750R**-RTPO
		RUBBER ON ALUMINUM	BALL	250	WC5750**-RAL-SWB	WC5750**-RAL			WC5750R**-RAL
		POLYURETHANE ON ALUMINUM	BALL	275	WC5750**-PAL-SWB	WC5750**-PAL			WC5750R**-PAL
		YOKE AXLE & NUT	-	275	WC5750**-YAN-SWB	WC5750**-YAN			WC5750R**-YAN

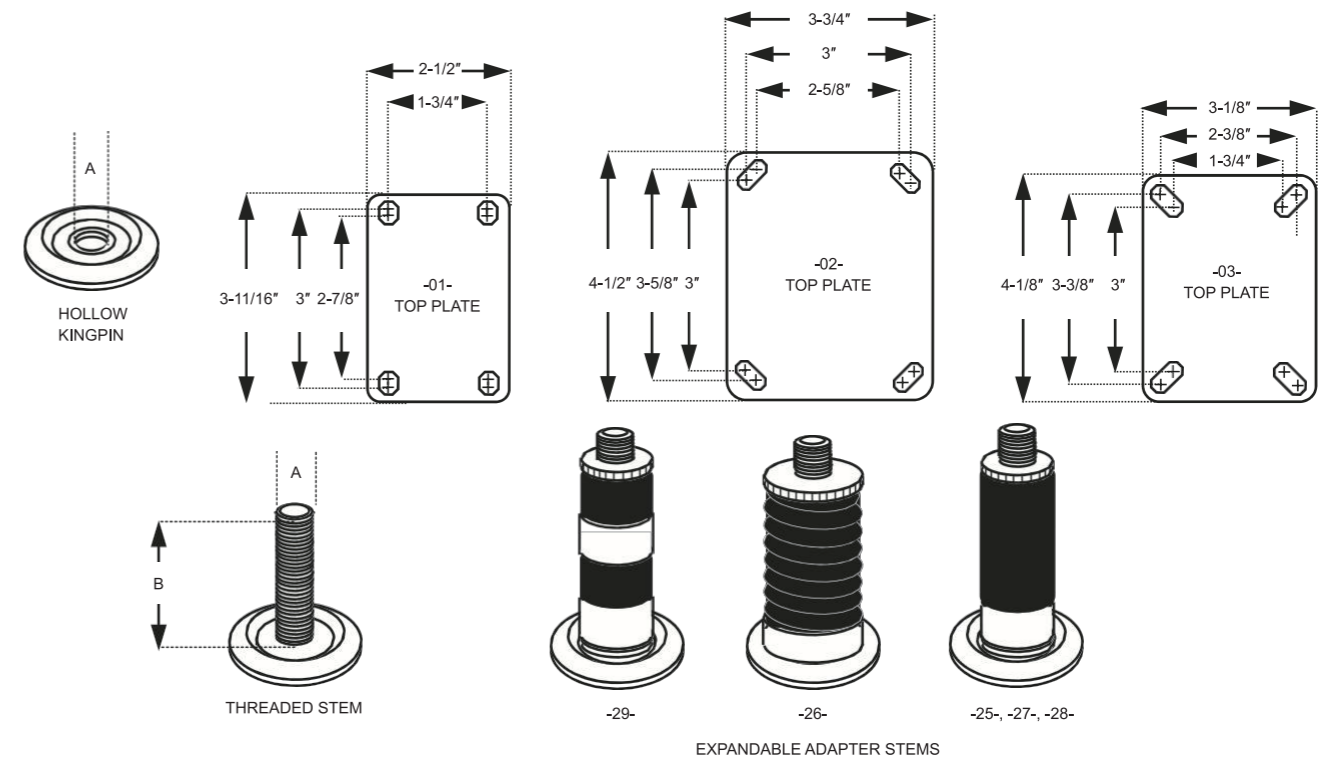
**Stainless Steel version available. Call us for more information.**

To order the stainless steel version, add "S" to the prefix of the part number. (Example: S5750-01-PPSBG-SWB)

# WC 5700 SERIES

## FASTENERS FOR WC 5700 SERIES

TYPE	CODE	SIZE
HOLLOW KINGPIN	038	FOR (A) 3/8 ATTACHING BOLT
	012	FOR (A) 1/2 ATTACHING BOLT
TOP PLATE	01	OVERALL SIZE: 2-1/2 x 3-11/16 BOLT HOLE PATTERN: 1-3/4 x 2-7/8 SLOTTED TO 3/5/16 ATTACHING BOLT SIZE: 5/16
TOP PLATE	02	OVERALL SIZE: 3-3/4 x 4-1/2 BOLT HOLE PATTERN: 2-5/8 x 3-5/8 SLOTTED TO 3 x 3/8 ATTACHING BOLT SIZE: 3/8
TOP PLATE	03	OVERALL SIZE: 3-1/8 x 4-1/8 BOLT HOLE PATTERN: 1-3/4 x 3 SLOTTED TO 2-3/8 x 3-3/8 ATTACHING BOLT SIZE: 3/8
THREADED STEM (WITH LOWER NUT UNDER RACEWAY)	21	A-B x C
	22	1/2-13 x 1
	26N	1/2-13 x 1-1/2
		1/2-13 x 2-11/16
EXPANDABLE ADAPTER STEMS	25	FOR 1-3/8 I.D. 1-1/2 O.D. TUBING
	26	FOR 1-1/2" I.D. 1-5/8 O.D. TUBING
	27	FOR 7/8" I.D. 1" O.D. TUBING
	28	FOR 1" I.D. 1-1/8" O.D. TUBING
	29	FOR 1-1/8" I.D. 1-1/4 O.D. TUBING



**OPTIONS FOR WC 5700 SERIES (Add option abbreviation to end of the caster part #)**

BEARING COVER (FOR: PPB\*, TRB)



BCG

THREAD GUARDS (USE WITH BB)



TG

MATCHING SWIVEL NO BRAKE



(REMOVE)-SWB

QUICK CHANGE PLATE FOR 01 T.P.



#QCP-01-5200 (ZINC PLATED, BOLTED ON)  
QCP-01-5200-UNPLATED (WELDED ON)



# WC 6400 SERIES

- Top plate and legs are made out of 1/4" cold forged steel
- Corrosion-resistant zinc plated finish
- 5/8" nut and bolt kingpin
- Zerk grease fittings in axle, swivel bearings and most wheels
- 2" fork spacing
- Integrated top lock brakes available on both swivel & rigid casters
- Applications: Miscellaneous carts, platform trucks, wire shelving units, heavy appliances, general duty material handling, warehouse & factory applications, heavy foodservice & institutional equipment, textile applications, etc

						REPLACE ** WITH FASTENER CODE		
						SWIVEL #	RIGID #	
4	1-1/2	HIGH TEMP GLASS FILLED NYLON	ROLLER	600	3-9/16	5-5/8	WC6440-01-HTGFN	WC6440R-01-HTGFN
		RUBBER ON CAST IRON	ROLLER	300			WC6440-01-RCI	WC6440R-01-RCI
		POLYURETHANE ON CAST IRON	ROLLER	600			WC6440-01-PCI	WC6440R-01-PCI
		POLY-U ON POLY-O (BLUE ON BLACK)	ROLLER	500			WC6440-01-XLB	WC6440R-01-XLB
		POLYOLEFIN	ROLLER	500			WC6440-01-HDP	WC6440R-01-HDP
		STEEL	ROLLER	650			WC6440-01-STL	WC6440R-01-STL
		PHENOLIC	ROLLER	600			WC6440-01-PHN	WC6440R-01-PHN
		HIGH-TEMP PHENOLIC	ROLLER	600			WC6440-01-HTPHN	WC6440R-01-HTPHN
		V GROOVE	ROLLER	750			WC6440-01-VG	WC6440R-01-VG
		YOKE ONLY	-	750			WC6440-01-Y	WC6440R-01-Y
5	1-1/2	HIGH TEMP GLASS FILLED NYLON	ROLLER	750	4-1/8	6-1/2	WC6450-01-HTGFN	WC6450R-01-HTGFN
		RUBBER ON CAST IRON	ROLLER	345			WC6450-01-RCI	WC6450R-01-RCI
		POLYURETHANE ON CAST IRON	ROLLER	750			WC6450-01-PCI	WC6450R-01-PCI
		POLY-U ON POLY-O (BLUE ON BLACK)	ROLLER	550			WC6450-01-XLB	WC6450R-01-XLB
		POLYOLEFIN	ROLLER	550			WC6450-01-HDP	WC6450R-01-HDP
		STEEL	ROLLER	700			WC6450-01-STL	WC6450R-01-STL
		PHENOLIC	ROLLER	750			WC6450-01-PHN	WC6450R-01-PHN
YOKE ONLY	-	750	WC6450-01-Y	WC6450R-01-Y				
6	1-1/2	RUBBER ON CAST IRON	ROLLER	375	4-13/16	7-3/8	WC6460-01-RCI	WC6460R-01-RCI
		POLYURETHANE ON CAST IRON	ROLLER	750			WC6460-01-PCI	WC6460R-01-PCI
		POLY-U ON POLY-O (BLUE ON BLACK)	ROLLER	600			WC6460-01-XLB	WC6460R-01-XLB
		POLYOLEFIN	ROLLER	600			WC6460-01-HDP	WC6460R-01-HDP
		STEEL	ROLLER	750			WC6460-01-STL	WC6460R-01-STL
		PHENOLIC	ROLLER	750			WC6460-01-PHN	WC6460R-01-PHN
		THERMOPLASTIC RUBBER	ROLLER	400			WC6460-01-TPR	WC6460R-01-TPR
		YOKE ONLY	-	750			WC6460-01-Y	WC6460R-01-Y

## FASTENERS FOR WC 6400 SERIES

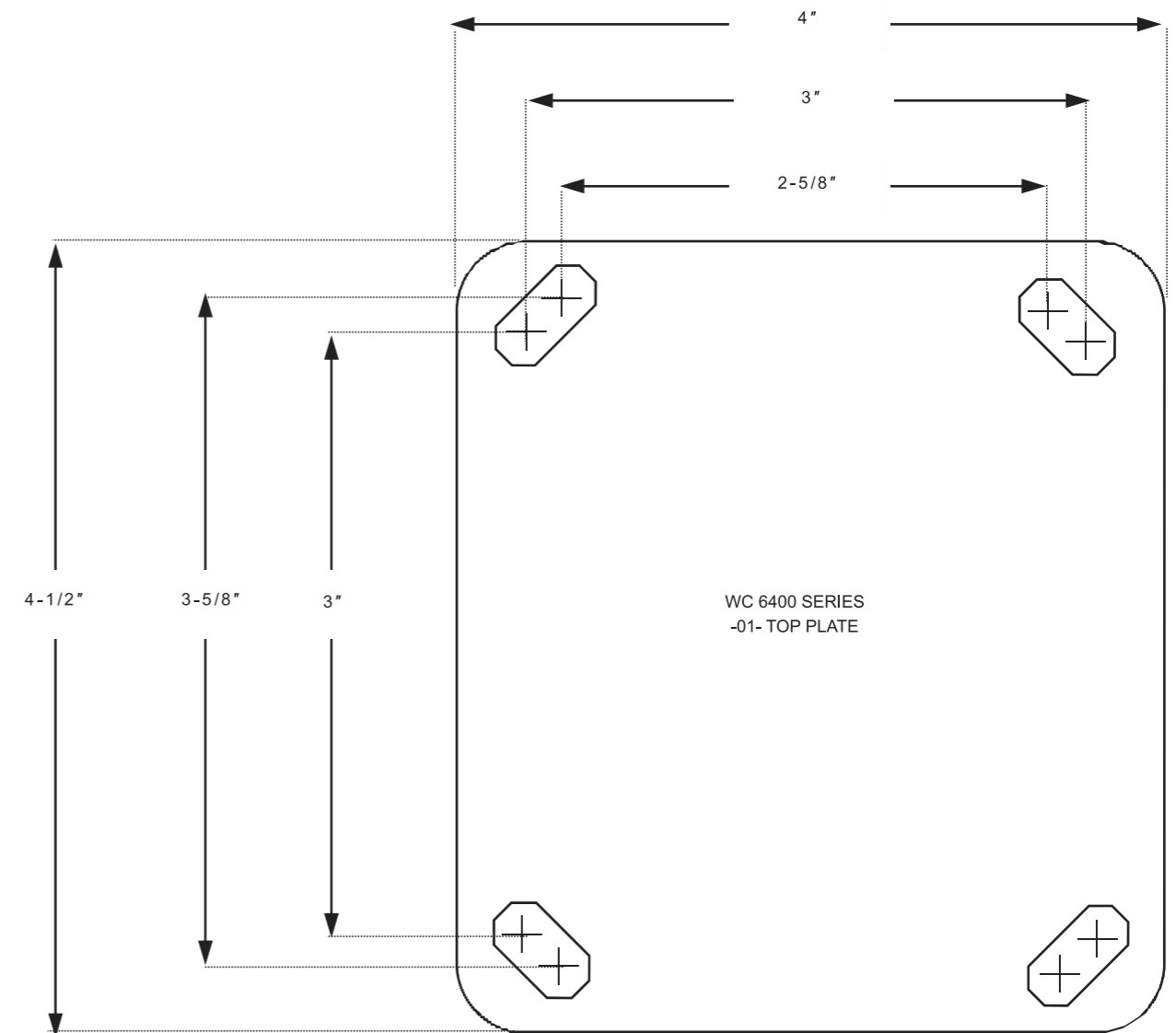
TYPE	CODE	SIZE
TOP PLATE	01	OVERALL SIZE: 4 x 4-1/2 BOLT HOLE PATTERN: 2-5/8 x 3-5/8 SLOTTED TO 3 x 3 ATTACHING BOLT SIZE: 3/8

# WC 6400 SERIES

## OPTIONS FOR WC 6400 SERIES (Add option abbreviation to end of the caster part #)



SPECIAL FINISHES (FACTORY ORDER)	
POLISHED GOLD FINISH	PGF
BLACK OXIDE	BO
NICKLE	N
CHROME	CR





# WC 6600 SERIES

- Top plate and legs are made out of 1/4" cold forged steel
- Corrosion-resistant zinc plated finish
- 5/8" nut and bolt kingpin, 2-1/2" fork spacing
- 1/2" zerk axle & lock nut on caster sizes 3-1/4" to 8" , 5/8" axle on 3" casters. Zerk fittings also in raceways & most wheels
- Applications: Miscellaneous carts, platform trucks, wire shelving units, heavy appliances, general duty material handling, vending machines, warehouse & factory applications, heavy foodservice & institutional equipment, textile applications, tool boxes, etc



							REPLACE ** WITH FASTENER CODE	
							SWIVEL #	RIGID #
3	1-13/16	DURAPLAS (POLYOLEFIN) DURAPLAS (POLYOLEFIN) NYLON YOKE, 5/8 AXLE/NUT	PLAIN ROLLER ROLLER -	700 700 1000 1000	2-1/2	4-1/4	WC6630**-XDP WC6630**-XDP-RB WC6630**-NYL-Z WC6630**-YAN	WC6630**-XDP WC6630**-XDP-RB WC6630**-NYL-Z WC6630**-YAN
3-1/4	2	PHENOLIC YOKE ONLY	ROLLER -	700 1000	3-5/8	4-5/8	WC6632-01-PHN WC6632-01-Y	WC6632R-01-PHN WC6632R-01-Y
4	2	DURAPLAS (POLYOLEFIN) THERMOPLASTIC RUBBER PHENOLIC POLYURETHANE ON CAST IRON POLYURETHANE ON ALUMINUM POLY-U ON POLY-O (BLUE ON BLACK) RUBBER ON CAST IRON ROUND THERMOPLASTIC RUBBER STEEL (CAST IRON) V-GROOVE (CAST IRON) SOLID POLYURETHANE ROUND POLY-U ON ALUMINUM YOKE ONLY YOKE NOTCHED W/ WELDED ON PSL	ROLLER ROLLER ROLLER ROLLER ROLLER ROLLER ROLLER ROLLER ROLLER ROLLER 6204 P.BB - -	700 300 800 800 800 350 300 1000 1000 1000 900 1250 1250	3-9/16	5-5/8	WC6640**-XDP WC6640**-TPR WC6640**-PHN WC6640**-PCI WC6640**-PAL WC6640**-XLB WC6640**-RCI WC6640**-RTP WC6640**-STL WC6640**-VG WC6640**-SPU WC6640**-RPAL WC6640**-Y WC6640-01-Y-PSL	WC6640R**-XDP WC6640R**-TPR WC6640R**-PHN WC6640R**-PCI WC6640R**-PAL WC6640R**-XLB WC6640R**-RCI WC6640R**-RTP WC6640R**-STL WC6640R**-VG WC6640R**-SPU WC6640R**-RPAL WC6640R**-Y N/A
5	2	DURAPLAS (POLYOLEFIN) THERMOPLASTIC RUBBER PHENOLIC POLYURETHANE ON CAST IRON POLYURETHANE ON ALUMINUM POLY-U ON POLY-O (BLUE ON BLACK) RUBBER ON CAST IRON ROUND THERMOPLASTIC RUBBER STEEL (CAST IRON) V-GROOVE (CAST IRON) SOLID POLYURETHANE ROUND POLY-U ON ALUMINUM YOKE ONLY YOKE NOTCHED W/ WELDED ON PSL	ROLLER ROLLER ROLLER ROLLER ROLLER ROLLER ROLLER ROLLER ROLLER ROLLER 6204 P.BB - -	1000 350 1000 1200 1200 900 450 350 1000 1250 1000 900 1250 1250	4-1/4	6-1/2	WC6650**-XDP WC6650**-TPR WC6650**-PHN WC6650**-PCI WC6650**-PAL WC6650**-XLB WC6650**-RCI WC6650**-RTP WC6650**-STL WC6650**-VG WC6650**-SPU WC6650**-RPAL WC6650**-Y WC6650**-Y-PSL	WC6650R**-XDP WC6650R**-TPR WC6650R**-PHN WC6650R**-PCI WC6650R**-PAL WC6650R**-XLB WC6650R**-RCI WC6650R**-RTP WC6650R**-STL WC6650R**-VG WC6650R**-SPU WC6650R**-RPAL WC6650R**-Y N/A
6	2	POLYOLEFIN DURAPLAS (POLYOLEFIN) DURAPLAS (POLYOLEFIN) DURAPLAS (POLYOLEFIN) PNEUMATIC (BLACK) THERMOPLASTIC RUBBER PHENOLIC POLYURETHANE ON CASTIRON POLYURETHANE ON ALUMINUM POLY-U ON POLY-O (BLUE ON BLACK) PNEUMATIC (FOAM) RUBBER ON CAST IRON ROUND THERMOPLASTIC RUBBER STEEL (CAST IRON) V-GROOVE (CAST IRON) SOLID POLYURETHANE ROUND POLY-U ON ALUMINUM DUCTILE HIGH TEMP GLASS FILLED NYLON YOKE ONLY YOKE NOTCHED W/ WELDED ON PSL	PLAIN OILITE PLAIN ROLLER BALL ROLLER ROLLER ROLLER ROLLER ROLLER ROLLER ROLLER 6204 P.BB ROLLER ROLLER -	700 1200 1200 1250 275 410 1200 1250 1250 1000 150 550 410 1250 1250 1200 1000 1250 1200 1200 -	4-1/2	7-1/2	WC6660**-HDP-PB WC6660**-XDPO WC6660**-XDP-PB WC6660**-XDP WCP6660**-B-BB WC6660**-TPR WC6660**-PHN WC6660**-PCI WC6660**-PAL WC6660**-XLB WCP6660**-B-FOAM WC6660**-RCI WC6660**-RTP WC6660**-STL WC6660**-VG WC6660**-SPU WC6660**-RPAL WC6660**-DUC WC6660**-HTGFN WC6660**-Y WC6660**-Y-PSL	WC6660R**-HDP-PB WC6660R**-XDPO WC6660R**-XDP-PB WC6660R**-XDP WCP6660R**-B-BB WC6660R**-TPR WC6660R**-PHN WC6660R**-PCI WC6660R**-PAL WC6660R**-XLB WCP6660R**-B-FOAM WC6660R**-RCI WC6660R**-RTP WC6660R**-STL WC6660R**-VG WC6660R**-SPU WC6660R**-RPAL WC6660R**-DUC WC6660R**-HTGFN WC6660R**-Y N/A

# WC 6600 SERIES

							REPLACE ** WITH FASTENER CODE	
							SWIVEL #	RIGID #
8	2	POLY-U/POLY-O (GRAY) POLY-U/POLY-O (BLUE) DURAPLAS/(POLYOLEFIN) THERMOPLASTIC RUBBER PHENOLIC POLY-U ON CAST IRON POLY-U ON ALUMINUM RUBBER ON CAST IRON ROUND THERMOPLASTIC RUBBER ROUND POLY-U ON ALUMINUM STEEL V-GROOVE SOLID POLY-U YOKE ONLY YOKE NOTCHED W/ WELDED ON PSL	ROLLER ROLLER ROLLER ROLLER ROLLER ROLLER ROLLER ROLLER ROLLER 6204 PBB ROLLER ROLLER -	1100 1100 1250 500 1250 1250 1250 600 500 1200 1250 1250 1250	6-1/2	9-1/2	WC6680**-XLG WC6680**-XLB WC6680**-XDP WC6680**-TPR WC6680**-PHN WC6680**-PCI WC6680**-PAL WC6680**-RCI WC6680**-RTP WC6680**-RPAL WC6680**-STL WC6680**-VG WC6680**-SPU WC6680**-Y WC6680**-Y-PSL	WC6680R**-XLG WC6680R**-XLB WC6680R**-XDP WC6680R**-TPR WC6680R**-PHN WC6680R**-PCI WC6680R**-PAL WC6680R**-RCI WC6680R**-RTP WC6680R**-RPAL WC6680R**-STL WC6680R**-VG WC6680R**-SPU WC6680R**-Y N/A

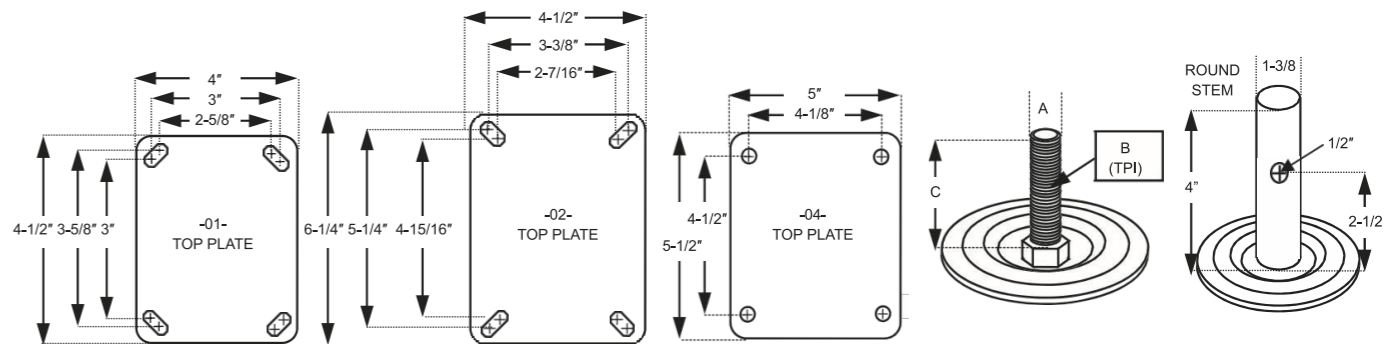
## FASTENERS FOR WC 6600 SERIES

TYPE	CODE	SIZE
TOP PLATE	01	OVERALL SIZE: 4 x 4-1/2 BOLT HOLE PATTERN: 2-5/8 x 3-5/8 SLOTTED TO 3 x 3 ATTACHING BOLT SIZE: 3/8
TOP PLATE	02	OVERALL SIZE: 4-1/2 x 6-1/4 BOLT HOLE PATTERN: 2-7/16 x 4-15/16 SLOTTED TO 3-3/8 x 5-1/4 ATTACHING BOLT SIZE: 3/8
TOP PLATE	04	OVERALL SIZE: 5 x 5-1/2 BOLT HOLE PATTERN: 4-1/8 x 4-1/2 ATTACHING BOLT SIZE: 7/16
THREADED STEM	21 22 24 25	A-Bx C 3/4-10 x 1-31/32 3/4-10 x 1-3/4 5/8-11 x 1-3/4 (STANDARD ON 3" [6630]) 1/2-13 x 1-3/4 (STANDARD ON 3" [6630])
PLAIN ROUND	31	1-3/8 x 4 WITH 1/2 CROSS DRILLED HOLE 2-1/2" UP CENTERED

## BEARING OPTIONS

(Add the desired bearing option abbreviation after the wheel designator). Example: WC6660-01-XDP-BB

DELTRIN BEARINGS 3/4" I.D. W/ STEEL SPANNER TO 1/2"	DBO
DELTRIN BEARINGS 3/4" I.D. W/ STEEL SPANNER TO 1/2"	DBD
DELTRIN BEARINGS 1/2" I.D.	DB
ROLLER BEARINGS WITH ALL METAL COMPONENTS (A must for high-temp applications)	AMC
SEALED PRECISION BALLS (See bearing explanation & picture on the bottom of the page)	BB



## OPTIONS FOR WC 6600 SERIES (Add option abbreviation to end of the caster part #)

INTEGRATED TLB	INTEGRATED TLB WORKS ON RIGIDS!	POSITION LOCK	THREAD GUARDS	THUMB SCREW BRAKE (3" Caster Only)	QUICK CHANGE PLATE "TOOL-LESS"	SPECIAL FINISHES (FACTORY ORDER)	
						POLISHED GOLD FINISH	PGF
TLB	TLB	PSL	TG	TSB	WCQCP-01-6600 (ZINC, BOLT-ON TYPE) WCQCP-01-6600-UNPLATED (WELD-ON)	BLACK OXIDE	BO
						NICKLE	N
						CHROME	CR

Use Sealed Precision ball bearings in any wheel instead of Roller Bearings!  
Sealed precision ball bearings provide a low maintenance, ergonomic ride with minimal effort to start-up and push loads. To order, change the part number as follows: Add a -BB, after the wheel designation.  
(Example: Standard roller bearing caster, WC6680-01-XLG. Caster with Sealed precision bearings, WC6680-01-XLG-BB).



# WC S6600 SERIES

- Polished 304 STAINLESS STEEL provides an attractive appearance
- Highly resistant to conditions that would normally corrode and rust regular steel casters.
- Seals in both the upper and lower raceways standard. Seals must be removed for high-temp applications over 160 degrees Fahrenheit
- Double ball raceways provide extra capacity & durability
- 5/8" nut and bolt kingpin
- Applications: Ideal for wet, damp conditions or other corrosive environments such as wash downs, restaurants, food processing plants, hospitals & other institutional applications, etc

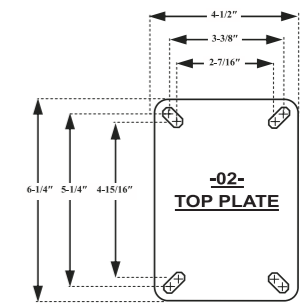
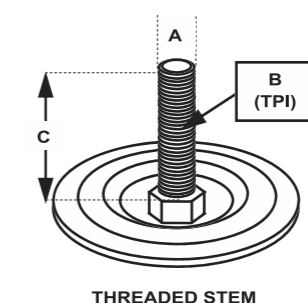
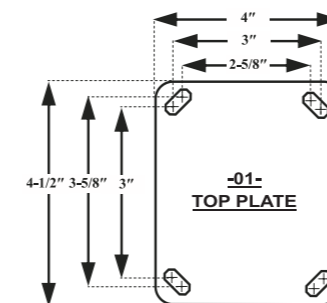
								REPLACE ** WITH FASTENER CODE	
								SWIVEL #	RIGID #
3	1-13/16	DURAPLAS (POLYOLEFIN) YOKE, 5/8" AXLE & NUT	PLAIN	700 1000	2-1/2 4-1/4			WCS6630**-XDP WCS6630**-YAN	WCS6630R**-XDP WCS6630R**-YAN
4	2	THERMOPLASTIC RUBBER THERMOPLASTIC RUBBER DURAPLAS (POLYOLEFIN) DURAPLAS (POLYOLEFIN) POLY-U / POLY-O (BLUE ON BLACK) POLY-U / POLY-O (BLUE ON BLACK) ROUND THERMOPLASTIC RUBBER ROUND THERMOPLASTIC RUBBER SOLID POLYURETHANE SOLID POLYURETHANE POLYURETHANE ON ALUMINUM POLYURETHANE ON ALUMINUM YOKE ONLY YOKE NOTCHED W/ WELDED ON PSL	DELTRIN B/S SS ROLLER DELTRIN B/S SS ROLLER DELTRIN B/S SS ROLLER DELTRIN B/S SS ROLLER DELTRIN B/S SS ROLLER DELTRIN B/S SS ROLLER DELTRIN B/S SS ROLLER -	300 300 700 700 800 800 300 300 1000 1000 800 800 1250 1250	3-9/16 5-5/8			WCS6640**-TPR-DBD WCS6640**-TPR WCS6640**-XDP-DBD WCS6640**-XDP WCS6640**-XLB-DBD WCS6640**-XLB WCS6640**-RTP-DBD WCS6640**-RTP WCS6640**-SPU-DBD WCS6640**-SPU WCS6640**-PAL-DBD WCS6640**-PAL WCS6640**-Y WCS6640**-Y-PSL	WCS6640R**-TPR-DBD WCS6640R**-TPR WCS6640R**-XDP-DBD WCS6640R**-XDP WCS6640R**-XLB-DBD WCS6640R**-XLB WCS6640R**-RTP-DBD WCS6640R**-RTP WCS6640R**-SPU-DBD WCS6640R**-SPU WCS6640R**-PAL-DBD WCS6640R**-PAL WCS6640R**-Y N/A
5	2	DURAPLAS (POLYOLEFIN) DURAPLAS (POLYOLEFIN) THERMOPLASTIC RUBBER THERMOPLASTIC RUBBER POLY-U / POLY-O (BLUE ON BLACK) POLY-U / POLY-O (BLUE ON BLACK) ROUND THERMOPLASTIC RUBBER ROUND THERMOPLASTIC RUBBER SOLID POLYURETHANE SOLID POLYURETHANE POLYURETHANE ON ALUMINUM POLYURETHANE ON ALUMINUM YOKE ONLY YOKE NOTCHED W/ WELDED ON PSL	DELTRIN B/S SS ROLLER DELTRIN B/S SS ROLLER DELTRIN B/S SS ROLLER DELTRIN B/S SS ROLLER DELTRIN B/S SS ROLLER DELTRIN B/S SS ROLLER -	1000 1000 350 350 900 900 350 350 1000 1000 1200 1200 1250 1250	4-1/4 6-1/2			WCS6650**-XDP-DBD WCS6650**-XDP WCS6650**-TPR-DBD WCS6650**-TPR WCS6650**-XLB-DBD WCS6650**-XLB WCS6650**-RTP-DBD WCS6650**-RTP WCS6650**-SPU-DBD WCS6650**-SPU WCS6650**-PAL-DBD WCS6650**-PAL WCS6650**-Y WCS6650**-Y-PSL	WCS6650R**-XDP-DBD WCS6650R**-XDP WCS6650R**-TPR-DBD WCS6650R**-TPR WCS6650R**-XLB-DBD WCS6650R**-XLB WCS6650R**-RTP-DBD WCS6650R**-RTP WCS6650R**-SPU-DBD WCS6650R**-SPU WCS6650R**-PAL-DBD WCS6650R**-PAL WCS6650R**-Y N/A
6	2	DURAPLAS (POLYOLEFIN) DURAPLAS (POLYOLEFIN) DURAPLAS (POLYOLEFIN) DURAPLAS (POLYOLEFIN) THERMOPLASTIC RUBBER THERMOPLASTIC RUBBER POLY-U / POLY-O (BLUE ON BLACK) POLY-U / POLY-O (BLUE ON BLACK) ROUND THERMOPLASTIC RUBBER ROUND THERMOPLASTIC RUBBER SOLID POLYURETHANE SOLID POLYURETHANE POLYURETHANE ON ALUMINUM POLYURETHANE ON ALUMINUM POLYOLEFIN YOKE ONLY YOKE NOTCHED W/ WELDED ON PSL	DELTRIN B/S PLAIN SS SPANNER SS ROLLER DELTRIN B/S SS ROLLER DELTRIN B/S SS ROLLER DELTRIN B/S SS ROLLER DELTRIN B/S SS ROLLER DELTRIN B/S SS ROLLER PLAIN -	1200 1200 1200 1200 410 410 1000 1000 410 410 1200 1200 1250 1250 700 1250	4-1/2 7-1/2			WCS6660**-XDP-DBD WCS6660**-XDP-PB WCS6660**-XDPO WCS6660**-XDP WCS6660**-TPR-DBD WCS6660**-TPR WCS6660**-XLB-DBD WCS6660**-XLB WCS6660**-RTP-DBD WCS6660**-RTP WCS6660**-SPU-DBD WCS6660**-SPU WCS6660**-PAL-DBD WCS6660**-PAL WCS6660**-HDP-PB WCS6660**-Y WCS6660**-Y-PSL	WCS6660R**-XDP-DBD WCS6660R**-XDP-PB WCS6660R**-XDPO WCS6660R**-XDP WCS6660R**-TPR-DBD WCS6660R**-TPR WCS6660R**-XLB-DBD WCS6660R**-XLB WCS6660R**-RTP-DBD WCS6660R**-RTP WCS6660R**-SPU-DBD WCS6660R**-SPU WCS6660R**-PAL-DBD WCS6660R**-PAL WCS6660R**-HDP-PB WCS6660R**-Y N/A

# WC S6600 SERIES

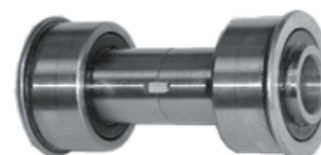
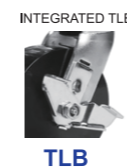
								REPLACE ** WITH FASTENER CODE		
								SWIVEL #	RIGID #	
8	2	DURAPLAS (POLYOLEFIN) DURAPLAS (POLYOLEFIN) THERMOPLASTIC RUBBER THERMOPLASTIC RUBBER POLY-U / POLY-O (BLUE ON BLACK) POLY-U / POLY-O (BLUE ON BLACK) POLY-U / POLY-O (GRAY ON BEIGE) POLY-U / POLY-O (GRAY ON BEIGE) ROUND THERMOPLASTIC RUBBER ROUND THERMOPLASTIC RUBBER SOLID POLYURETHANE SOLID POLYURETHANE POLYURETHANE ON ALUMINUM POLYURETHANE ON ALUMINUM YOKE ONLY YOKE NOTCHED W/ WELDED ON PSL	DELTRIN B/S SS ROLLER DELTRIN B/S SS ROLLER DELTRIN B/S SS ROLLER DELTRIN B/S SS ROLLER DELTRIN B/S SS ROLLER DELTRIN B/S SS ROLLER -	1250 1250 500 500 1100 1100 1100 1100 500 500 1250 1250 1250 1250 1250	6-1/2	9-1/2			WCS6680**-XDP-DBD WCS6680**-XDP WCS6680**-TPR-DBD WCS6680**-TPR WCS6680**-XLB-DBD WCS6680**-XLB WCS6680**-XLG-DBD WCS6680**-XLG WCS6680**-RTP-DBD WCS6680**-RTP WCS6680**-SPU-DBD WCS6680**-SPU WCS6680**-PAL-DBD WCS6680**-PAL WCS6680**-Y WCS6680**-Y-PSL	WCS6680R**-XDP-DBD WCS6680R**-XDP WCS6680R**-TPR-DBD WCS6680R**-TPR WCS6680R**-XLB-DBD WCS6680R**-XLB WCS6680R**-XLG-DBD WCS6680R**-XLG WCS6680R**-RTP-DBD WCS6680R**-RTP WCS6680R**-SPU-DBD WCS6680R**-SPU WCS6680R**-PAL-DBD WCS6680R**-PAL WCS6680R**-Y N/A

## FASTENERS FOR WC S6600 SERIES

TYPE	CODE	SIZE	BEARING OPTIONS:
TOP PLATE	01	OVERALL SIZE: 4 x 4-1/2 BOLT HOLE PATTERN: 2-5/8 x 3-5/8 SLOTTED TO 3 x 3 ATTACHING BOLT SIZE: 3/8	(Add the desired bearing option abbreviation after the wheel designator). Example: WCS6660-01-XDP-BB DELTRIN BEARINGS 3/4" I.D. W/ STAINLESS STEEL SPANNER TO 1/2" DBS DELTRIN BEARINGS 3/4" I.D. W/ DELTRIN SPANNER TO 1/2" DBD DELTRIN BEARINGS 1/2" I.D. DB ROLLER BEARINGS WITH ALL STAINLESS STEEL COMPONENTS ASC STAINLESS STEEL SEALED PRECISION BALL BEARINGS (See bearing explanation & picture on the bottom of the page) SBB
TOP PLATE	02	OVERALL SIZE: 4-1/2 x 6-1/4 BOLT HOLE SPACING: 2-7/16 x 4-15/16 SLOTTED TO 3-3/8 x 5-1/4 ATTACHING BOLT SIZE: 1/2	
THREADED STEM	21 22 24 25	A-B x C 3/4-10 x 1-31/32 3/4-10 x 1-3/4 5/8-11 x 1-3/4 1/2-13 x 1-3/4	



## OPTIONS FOR WC S6600 SERIES (Add option abbreviation to end of the caster part #)



### Use Stainless Steel Sealed Precision Ball Bearings in any wheel instead of Roller Bearings!

Sealed precision ball bearings provide a low maintenance, ergonomic ride with minimal effort to start-up and push loads. To order, change the part number as follows: Add a -SBB, after the wheel designation. (Example: Standard roller bearing caster, WCS6680-01-XLG. Caster with Sealed precision bearings, WCS6680-01-XLG-SBB).



# WC 6800 SERIES



- Case hardened double ball raceways provide extra capacity & durability
- Top plate and legs are made out of 1/4" cold forged steel. Machine-welded legs for uniform consistency and strength
- Corrosion-resistant zinc plated finish
- 3/4" Nut and bolt kingpin, 2-1/2" & 3" fork spacings
- Zerk grease fittings in axle, raceway and most wheels
- Applications: Platform trucks, freight terminal trucks, cargo containers, drying racks, ground support equipment, mobile military equipment, A frames, etc

												SWIVEL #		RIGID #	
4	2	THERMOPLASTIC RUBBER	ROLLER	300	3-13/16	5-5/8	WC6840-01-TPR	WC6840R-01-TPR							
		PHENOLIC	ROLLER	800			WC6840-01-PHN	WC6840R-01-PHN							
		DURAPLAS (POLYOLEFIN)	ROLLER	700			WC6840-01-XDP	WC6840R-01-XDP							
		POLYURETHANE ON CAST IRON	ROLLER	800			WC6840-01-PCI	WC6840R-01-PCI							
		POLYURETHANE ON ALUMINUM	ROLLER	800			WC6840-01-PAL	WC6840R-01-PAL							
		POLYURETHANE ON POLYOLEFIN	ROLLER	800			WC6840-01-XLB	WC6840R-01-XLB							
		RUBBER ON CAST IRON	ROLLER	350			WC6840-01-RCI	WC6840R-01-RCI							
		ROUND THERMOPLASTIC RUBBER	ROLLER	300			WC6840-01-RTP	WC6840R-01-RTP							
		SOLID POLYURETHANE	ROLLER	800			WC6840-01-SPU	WC6840R-01-SPU							
		ROUND POLYURETHANE ON ALUMINUM	6204 P.BB	900			WC6840-01-RPAL	WC6840R-01-RPAL							
		DUCTILE STEEL	ROLLER	1400			WC6840-01-DUC	WC6840R-01-DUC							
		STEEL (CAST IRON)	ROLLER	1000			WC6840-01-STL	WC6840R-01-STL							
		V-GROOVE (CAST IRON)	ROLLER	1000			WC6840-01-VG	WC6840R-01-VG							
YOKE ONLY	-	1400	WC6840-01-Y	WC6840R-01-Y											
5	2	DURAPLAS (POLYOLEFIN)	ROLLER	1000	4-1/4	6-1/2	WC6850-01-XDP	WC6850R-01-XDP							
		THERMOPLASTIC RUBBER	ROLLER	350			WC6850-01-TPR	WC6850R-01-TPR							
		PHENOLIC	ROLLER	1000			WC6850-01-PHN	WC6850R-01-PHN							
		POLYURETHANE ON CAST IRON	ROLLER	1100			WC6850-01-PCI	WC6850R-01-PCI							
		POLYURETHANE ON ALUMINUM	ROLLER	1100			WC6850-01-PAL	WC6850R-01-PAL							
		POLYURETHANE ON POLYOLEFIN	ROLLER	900			WC6850-01-XLB	WC6850R-01-XLB							
		RUBBER ON CAST IRON	ROLLER	450			WC6850-01-RCI	WC6850R-01-RCI							
		ROUND THERMOPLASTIC RUBBER	ROLLER	350			WC6850-01-RTP	WC6850R-01-RTP							
		SOLID POLYURETHANE	ROLLER	1000			WC6850-01-SPU	WC6850R-01-SPU							
		ROUND POLYURETHANE ON ALUMINUM	6204 P.BB	1000			WC6850-01-RPAL	WC6850R-01-RPAL							
		DUCTILE STEEL	ROLLER	1400			WC6850-01-DUC	WC6850R-01-DUC							
		STEEL (CAST IRON)	ROLLER	1100			WC6850-01-STL	WC6850R-01-STL							
		V-GROOVE (CAST IRON)	ROLLER	1100			WC6850-01-VG	WC6850R-01-VG							
YOKE ONLY	-	1400	WC6850-01-Y	WC6850R-01-Y											
6	2	DURAPLAS (POLYOLEFIN)	ROLLER	1200	4-1/2	7-1/2	WC6860-01-XDP	WC6860R-01-XDP							
		DURAPLAS (POLYOLEFIN)	PLAIN	1200			WC6860-01-XDP-PB	WC6860R-01-XDP-PB							
		DURAPLAS (POLYOLEFIN)	OILITE	1200			WC6860-01-XDPO	WC6860R-01-XDPO							
		HIGH TEMP GLASS FILLED NYLON	ROLLER	1200			WC6860-01-HTGFN	WC6860R-01-HTGFN							
		THERMOPLASTIC RUBBER	ROLLER	410			WC6860-01-TPR	WC6860R-01-TPR							
		PHENOLIC	ROLLER	1200			WC6860-01-PHN	WC6860R-01-PHN							
		POLYURETHANE ON CAST IRON	ROLLER	1250			WC6860-01-PCI	WC6860R-01-PCI							
		POLYURETHANE ON ALUMINUM	ROLLER	1250			WC6860-01-PAL	WC6860R-01-PAL							
		POLYURETHANE ON POLYOLEFIN	ROLLER	1000			WC6860-01-XLB	WC6860R-01-XLB							
		RUBBER ON CAST IRON	ROLLER	500			WC6860-01-RCI	WC6860R-01-RCI							
		ROUND THERMOPLASTIC RUBBER	ROLLER	410			WC6860-01-RTP	WC6860R-01-RTP							
		SOLID POLYURETHANE	ROLLER	1200			WC6860-01-SPU	WC6860R-01-SPU							
		ROUND POLYURETHANE ON ALUMINUM	6204 P.BB	1000			WC6860-01-RPAL	WC6860R-01-RPAL							
		DUCTILE STEEL	ROLLER	1400			WC6860-01-DUC	WC6860R-01-DUC							
		STEEL (CAST IRON)	ROLLER	1400			WC6860-01-STL	WC6860R-01-STL							
		V-GROOVE (CAST IRON)	ROLLER	1400			WC6860-01-VG	WC6860R-01-VG							
		POLYOLEFIN	PLAIN	700			WC6860-01-HDP-PB	WC6860R-01-HDP-PB							
YOKE ONLY	-	1400	WC6860-01-Y	WC6860R-01-Y											

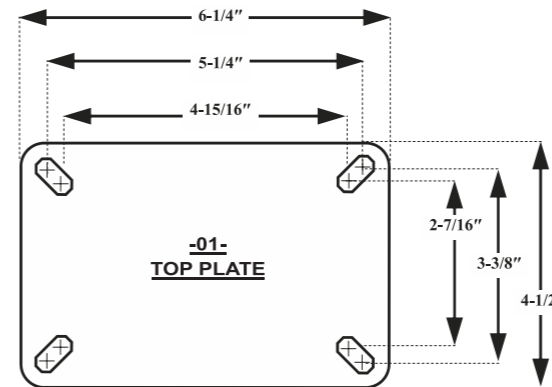
# WC 6800 SERIES

												SWIVEL #		RIGID #	
6	2-1/2	RUBBER ON CAST IRON	ROLLER	700											
		POLYURETHANE ON CAST IRON	ROLLER	1500											
		PHENOLIC	ROLLER	1500											
		STEEL (CAST IRON)	ROLLER	1500											
		YOKE ONLY	-	1500											
8	2	DURAPLAS (POLYOLEFIN)	ROLLER	1400											
		THERMOPLASTIC RUBBER	ROLLER	500											
		PHENOLIC	ROLLER	1400											
		POLYURETHANE ON CAST IRON	ROLLER	1400											
		POLYURETHANE ON ALUMINUM	ROLLER	1400											
		POLY-U / POLY-O (GRAY ON BEIGE)	ROLLER	1100											
		POLY-U / POLY-O (BLUE ON BLACK)	ROLLER	1100											
		RUBBER ON CAST IRON	ROLLER	600											
		ROUND THERMOPLASTIC RUBBER	ROLLER	500											
		SOLID POLYURETHANE	ROLLER	1300											
		ROUND POLYURETHANE ON ALUMINUM	6204 P.BB	1200											
		DUCTILE STEEL	ROLLER	1400											
		STEEL (CAST IRON)	ROLLER	1400											
		V-GROOVE (CAST IRON)	ROLLER	1400											
YOKE ONLY	-	1400													
8	2-1/2	RUBBER ON CAST IRON	ROLLER	850											
		POLYURETHANE ON CAST IRON	ROLLER	1500											
		PHENOLIC	ROLLER	1500											
		STEEL (CAST IRON)	ROLLER	1500											
		YOKE	-	1500											

\*These casters come standard with double welded fork legs & 1/2" axle.

## FASTENERS FOR WC 6800 SERIES

FASTENER TYPE	CODE	SIZE
TOP PLATE	01	OVERALL SIZE: 4-1/2 x 6-1/4 BOLT HOLE SPACING: 2-7/16 x 4-15/16 SLOTTED TO 3-3/8 x 5-1/4 ATTACHING BOLT SIZE: 1/2



### BEARING OPTIONS:

(Add the desired bearing option abbreviation after the wheel designator). Example: WC6860-01-XDP-BB

DELTRIN BEARINGS 3/4" I.D. W/ STEEL SPANNER TO 1/2"	DBO
DELTRIN BEARINGS 3/4" I.D. W/ DELTRIN SPANNER TO 1/2"	DBD
DELTRIN BEARINGS 1/2" I.D.	DB
ROLLER BEARINGS WITH ALL METAL COMPONENTS (A must for high-temp applications)	AMC
SEALED PRECISION BALL BEARINGS (See bearing explanation & picture on the bottom of the page)	BB

## OPTIONS FOR WC 6800 SERIES

INTEGRATED TLB



TLB

POSITION LOCK



PSL

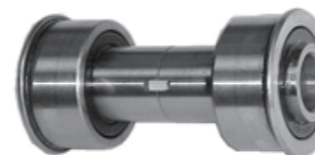
THREAD GUARDS



TG

### SPECIAL FINISHES (FACTORY ORDER)

POLISHED GOLD FINISH	PGF
BLACK OXIDE	BO
NICKLE	N
CHROME	CR



### Use Sealed Precision Ball Bearings in any wheel instead of Roller Bearings!

Sealed precision ball bearings provide a low maintenance, ergonomic ride with minimal effort to start-up and push loads. To order, change the part number as follows: Add a -BB, after the wheel designation.



# WC 7600 SERIES



- For use in non-motorized applications only
- Zinc plated finish
- Top plate & legs made from 1/4" steel
- 2 piece bolt-together hub, inflatable tube in 4-PLY tire construction
- Pneumatics tires available in black
- "Centipede" wheel is made out of microcellular Polyurethane foam. It provides a lightweight, cushioned ride without worry, maintenance or a flat tire. The hub assembly is a durable 2 piece nylon construction. These wheels perform best with precision ball bearings
- Application: Carts, platform trucks for industrial, commercial and institutional environments demanding a cushioned ride. Carrying sensitive materials, chemicals, electronics, ceramics, glass, sound & lighting equipment. Great for the outdoors (cement, dirt, gravel, grass, etc)

# WC 7600 SERIES



"CENTIPEDE" WHEEL.  
NEVER GOES FLAT!



OTHER FASTENERS AVAILABLE FOR WC 5660,  
SEE WC 5600 SERIES ON PAGES 26 & 27.

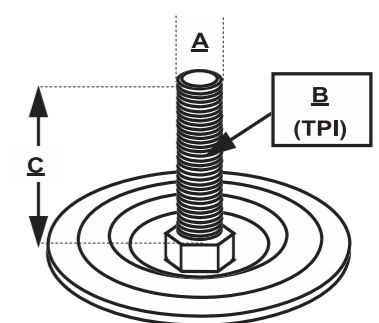
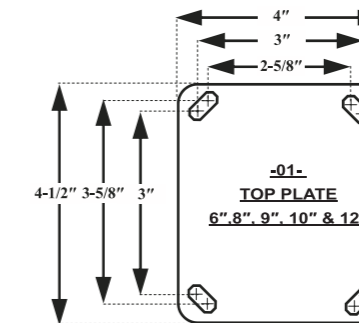
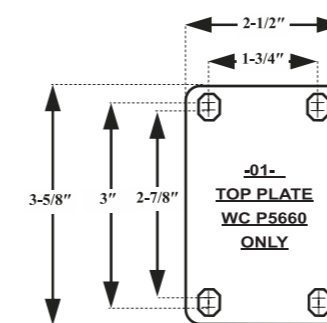


CLASSY LOOK, PREMIUM RIDE!  
ALL METAL PARTS FINISHED IN A  
POLISHED GOLD/BRASS, GRAY NON-MARKING  
TIRES WITH SEALED PRECISION BALLS,  
ADD: -PB-PGF TO THE PART #  
(EXAMPLE: WCP7690-01-G-PB-PGF-TLB)

						REPLACE ** WITH FASTENER CODE		
				SWIVEL #	RIGID #			
6	2	PNEUMATIC SAWTOOTH TREAD	BALL	275	4-3/4	**7-3/8	WCP5660-01-B-BB (Black) WCP5660-01-FOAM-BB	WCP5660R-01-B-BB (Black) WCP5660R-01-FOAM-BB
			BALL		4-11/16	**7-1/2	WCP6660-01-B-BB (Black) WCP6660-01-FOAM-BB	WCP6660R-01-B-BB(Black) WCP6660R-01-FOAM-BB
*8	2-1/2	(STANDARD SIZE) PNEUMATIC (280/250-4) SAWTOOTH TREAD *Actual diameter: 9"	BALL BEARING (STANDARD)	300	7-1/4	**10-1/8	WCP7690-**B (Black) WCP7690-**FOAM	WCP7690R-**B WCP7690R-**FOAM
			PRECISION BALL				WCP7690-**B-PB (Black) WCP7690-**FOAM-PB	WCP7690R-**B-PB(Black) WCP7690R-**FOAM-PB
10	3	"CENTIPEDE WHEEL" Solid Microcellular Polyurethane Foam NOT AIR FILLED.	BALL (ECONOMY)	250	8-1/2	**11-7/8	WCP7610-**C (Black on Yellow) WCP7610-**CKG(Black on Gray)	WCP7610R-**C (Black on Yellow) WCP7610R-**CKG (Black on Gray)
			PRECISION BALL (STANDARD)				WCP7610-**C-PB (Black on Yellow) WCP7610-**CKG-PB (Black on Gray)	WCP7610R-**C-PB (Black on Yellow) WCP7610R-**CKG-PB (Black on Gray)
*10	3-1/2	PNEUMATIC (410/350-4) SAWTOOTH TREAD *Actual diameter: 11-1/4"	BALL (STANDARD)	350	9-1/4	**12-1/16	WCP7610-**B (Black) WCP7610-**FOAM	WCP7610R-**B (Black) WCP7610R-**FOAM
			PRECISION BALL				WCP7610-**B-PB (Black) WCP7610-**FOAM-PB	WCP7610R-**B-PB (Black) WCP7610R-**FOAM-PB
*12	3-1/2	PNEUMATIC (410/350-6) SAWTOOTH TREAD *Actual diameter: 13.15"	BALL (STANDARD)	450	10-3/4	**14-1/4	WCP7612-**B (Black)	WCP7612R-**B (Black)
			PRECISION BALL				WCP7612-**B-PB (Black)	WCP7612R-**B-PB (Black)

## FASTENERS FOR WC 7600 SERIES

FASTENER TYPE	CODE	SIZE
(For WC 5660 only) TOP PLATE	(For WC 5660only) 01	(For WC 5660 only) OVERALL SIZE: BOLT HOLE PATTERN: 3 ATTACHING BOLT SIZE:
(Standard plate) TOP PLATE	01 (-02- for WC 5660)	OVERALL SIZE: BOLT HOLE SPACING: ATTACHING BOLT SIZE:
THREADED STEM	21 23 24	A-B x C 1/2-13 x 1-1/2 1/2-13 x 2-1/2 5/8-11 x 1-3/4



## OPTIONS FOR WC 7600 SERIES

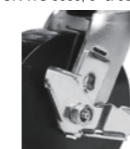
(Add option abbreviation to end of the caster part #)

TOP LOCK BRAKE



TLB

INTEGRATED TOP LOCK BRAKE  
(FOR WC 5660, 6" & 6660 6" ONLY)



TLB

6" and 8"  
POSITION LOCK



PSL

QUICK CHANGE PLATE "TOOL-LESS"



WCQCP-01-6600 (ZINC, BOLT-ON TYPE)  
WCQCP-01-6600-UNPLATED (WELD-ON)

SPECIAL FINISHES (FACTORY ORDER)

POLISHED GOLD BRASS FINISH	PGF
NICKLE	N
CHROME	CR
*POWDER COAT	PC

\*PLEASE INQUIRE ABOUT COLOR OPTIONS.

# WC 9000 SERIES



- Kingpinless style construction eliminates problems associated with kingpin failure
- One piece steel swivel raceway with 1/4" top plate thickness
- Raceway is precision machined and hardened
- Legs are formed from 1/4" cold rolled steel and double welded to the raceway
- 1/2 diameter axle bolt with lock nut. Zerk grease fitting in axle & raceway
- Applications: Great for applications involving extreme shock loading, towing, moving over cracks, uneven floors, and tarmacs, heavy mobile machinery & equipment, heavy-duty material handling carts, buggies & platform trucks, ground support equipment, heavy duty warehouse and manufacturing plant applications, etc

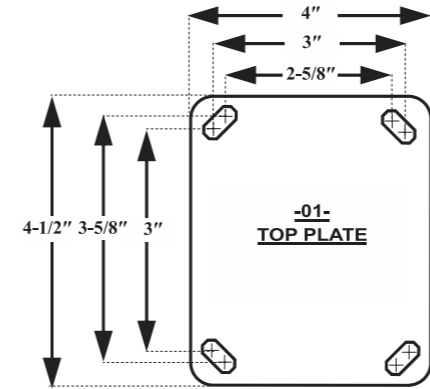
										SWIVEL #	RIGID #
4	2	DUCTILE STEEL	ROLLER	1500	3-3/8	5-11/16	WC9040-01-DUC	WC9040R-01-DUC			
		LAMINATED PHENOLIC	ROLLER	1000			WC9040-01-LPN	WC9040R-01-LPN			
		PHENOLIC	ROLLER	800			WC9040-01-PHN	WC9040R-01-PHN			
		DURAPLAS (POLYOLEFIN)	ROLLER	700			WC9040-01-XDP	WC9040R-01-XDP			
		POLYURETHANE ON CAST IRON	ROLLER	800			WC9040-01-PCI	WC9040R-01-PCI			
		POLYURETHANE ON ALUMINUM	ROLLER	800			WC9040-01-PAL	WC9040R-01-PAL			
		POLY-U/POLY-O (BLUE ON BLACK)	ROLLER	800			WC9040-01-XLB	WC9040R-01-XLB			
		RUBBER ON CAST IRON	ROLLER	350			WC9040-01-RCI	WC9040R-01-RCI			
		ROUND POLYURETHANE ON ALUMINUM	6204 P.BB	900			WC9040-01-RPAL	WC9040R-01-RPAL			
		SOLID POLYURETHANE	ROLLER	800			WC9040-01-SPU	WC9040R-01-SPU			
		STEEL (CAST IRON)	ROLLER	1000			WC9040-01-STL	WC9040R-01-STL			
V-GROOVE (CAST IRON)	ROLLER	1000	WC9040-01-VG	WC9040R-01-VG							
YOKE ONLY	-	2000	WC9040-01-Y	WC9040R-01-Y							
5	2	DUCTILE STEEL	ROLLER	1650	4-5/16	6-9/16	WC9050-01-DUC	WC9050R-01-DUC			
		DURAPLAS (POLYOLEFIN)	ROLLER	1200			WC9050-01-XDP	WC9050R-01-XDP			
		LAMINATED PHENOLIC	ROLLER	1250			WC9050-01-LPN	WC9050R-01-LPN			
		PHENOLIC	ROLLER	1000			WC9050-01-PHN	WC9050R-01-PHN			
		POLYURETHANE ON CAST IRON	ROLLER	1200			WC9050-01-PCI	WC9050R-01-PCI			
		POLYURETHANE ON ALUMINUM	ROLLER	1200			WC9050-01-PAL	WC9050R-01-PAL			
		POLY-U/POLY-O (BLUE ON BLACK)	ROLLER	900			WC9050-01-XLB	WC9050R-01-XLB			
		RUBBER ON CAST IRON	ROLLER	450			WC9050-01-RCI	WC9050R-01-RCI			
		ROUND POLYURETHANE ON ALUMINUM	6204 P.BB	900			WC9050-01-RPAL	WC9050R-01-RPAL			
		SOLID POLYURETHANE	ROLLER	1000			WC9050-01-SPU	WC9050R-01-SPU			
		STEEL (CAST IRON)	ROLLER	1000			WC9050-01-STL	WC9050R-01-STL			
V-GROOVE (CAST IRON)	ROLLER	1100	WC9050-01-VG	WC9050R-01-VG							
YOKE ONLY	-	2000	WC9050-01-Y	WC9050R-01-Y							
6	2	POLYOLEFIN	PLAIN	700	5-1/4	7-1/2	WC9060-01-HDP-PB	WC9060R-01-HDP-PB			
		DURAPLAS (POLYOLEFIN)	OILITE	1200			WC9060-01-XDPO	WC9060R-01-XDPO			
		DURAPLAS (POLYOLEFIN)	PLAIN	1200			WC9060-01-XDP-PB	WC9060R-01-XDP-PB			
		DURAPLAS (POLYOLEFIN)	ROLLER	1200			WC9060-01-XDP	WC9060R-01-XDP			
		THERMOPLASTIC RUBBER	ROLLER	410			WC9060-01-TPR	WC9060R-01-TPR			
		PHENOLIC	ROLLER	1200			WC9060-01-PHN	WC9060R-01-PHN			
		LAMINATED PHENOLIC	ROLLER	1500			WC9060-01-LPN	WC9060R-01-LPN			
		POLYURETHANE ON CAST IRON	ROLLER	1250			WC9060-01-PCI	WC9060R-01-PCI			
		POLYURETHANE ON ALUMINUM	ROLLER	1250			WC9060-01-PAL	WC9060R-01-PAL			
		POLY-U / POLY-O (BLUE ON BLACK)	ROLLER	1000			WC9060-01-XLB	WC9060R-01-XLB			
		RUBBER ON CAST IRON	ROLLER	500			WC9060-01-RCI	WC9060R-01-RCI			
		ROUND POLYURETHANE ON ALUMINUM	6204 P.BB	1000			WC9060-01-RPAL	WC9060R-01-RPAL			
		ROUND THERMOPLASTIC RUBBER	ROLLER	410			WC9060-01-RTP	WC9060R-01-RTP			
		DUCTILE STEEL	ROLLER	1800			WC9060-01-DUC	WC9060R-01-DUC			
		STEEL (CAST IRON)	ROLLER	1400			WC9060-01-STL	WC9060R-01-STL			
		V-GROOVE (CAST IRON)	ROLLER	1400			WC9060-01-VG	WC9060R-01-VG			
		SOLID POLYURETHANE	ROLLER	1200			WC9060-01-SPU	WC9060R-01-SPU			
		YOKE ONLY	-	2000			WC9060-01-Y	WC9060R-01-Y			

# WC 9000 SERIES

										SWIVEL #	RIGID #
8	2	DUCTILE STEEL	ROLLER	2000	6-1/4	9-1/2	WC9080-01-DUC	WC9080R-01-DUC			
		DURAPLAS (POLYOLEFIN)	ROLLER	1400			WC9080-01-XDP	WC9080R-01-XDP			
		LAMINATED PHENOLIC	ROLLER	1750			WC9080-01-LPN	WC9080R-01-LPN			
		PHENOLIC	ROLLER	1400			WC9080-01-PHN	WC9080R-01-PHN			
		POLYURETHANE ON CAST IRON	ROLLER	1500			WC9080-01-PCI	WC9080R-01-PCI			
		POLYURETHANE ON ALUMINUM	ROLLER	1500			WC9080-01-PAL	WC9080R-01-PAL			
		POLY-U/POLY-O (BLUE ON BLACK)	ROLLER	1100			WC9080-01-XLB	WC9080R-01-XLB			
		POLY-U/POLY-O (GRAY ON BEIGE)	ROLLER	1100			WC9080-01-XLG	WC9080R-01-XLG			
		RUBBER ON CAST IRON	ROLLER	600			WC9080-01-RCI	WC9080R-01-RCI			
		ROUND POLYURETHANE ON ALUMINUM	6204 P.BB	1200			WC9080-01-RPAL	WC9080R-01-RPAL			
		SOLID POLYURETHANE	ROLLER	1300			WC9080-01-SPU	WC9080R-01-SPU			
		STEEL (CAST IRON)	ROLLER	1400			WC9080-01-STL	WC9080R-01-STL			
		V-GROOVE (CAST IRON)	ROLLER	1400			WC9080-01-VG	WC9080R-01-VG			
		YOKE ONLY	-	2000			WC9080-01-Y	WC9080R-01-Y			

## FASTENERS FOR WC 9000 SERIES

FASTENER TYPE	CODE	SIZE
TOP PLATE	01	OVERALL SIZE: 4 x 4-1/2 BOLT HOLE PATTERN: 2-5/8 x 3-5/8 SLOTTED TO 3 x 3 ATTACHING BOLT SIZE: 3/8



**BEARING OPTIONS:**  
(Add the desired bearing option abbreviation after the wheel designator).  
Example: WC9060-01-XDP-BB

DELIN BEARINGS 3/4" I.D. W/ STEEL SPANNER TO 1/2"	DBO
DELIN BEARINGS 3/4" I.D. W/ DELRIN SPANNER TO 1/2"	DBD
DELIN BEARINGS 1/2" I.D.	DB
ROLLER BEARINGS WITH ALL METAL COMPONENTS (A must for high-temp applications)	AMC
SEALED PRECISION BALL BEARINGS (See bearing explanation & picture on the bottom of the page)	BB

## OPTIONS FOR WC 9000 SERIES (Add option abbreviation to end of the caster part #)

INTEGRATED TLB

TLB

POSITION LOCK

PSL

THREAD GAURDS

TG

**Use Sealed Precision Ball Bearings in any wheel instead of Roller Bearings!**

Sealed precision ball bearings provide a low maintenance, ergonomic ride with minimal effort to start-up and push loads. To order, change the part number as follows: Add a -BB, after the wheel designation.  
(Example: Standard roller bearing caster, WC9080-01-XLG. Caster with Sealed precision bearings, WC9080-01-XLG-BB).



# WC 9100 SERIES



- Kingpinless style construction eliminates problems associated with kingpin failure
- Single ball, precision machined, hardened & heat treated, "Kingpinless style raceway." (3.26" diameter raceway with 1/2" Bearings)
- Legs are formed from 1/4" forged steel and are double welded for strength
- Corrosion-resistant zinc plated finish
- 1/2" diameter axle bolt with lock nut. Zerk grease fitting in axle & raceway
- Applications: Great for applications involving extreme shock loading, towing, moving over cracks, uneven floors, and tarmacs, heavy mobile machinery & equipment, heavy-duty material handling carts, buggies & platform trucks, ground support equipment, heavy duty warehouse and manufacturing plant applications, etc

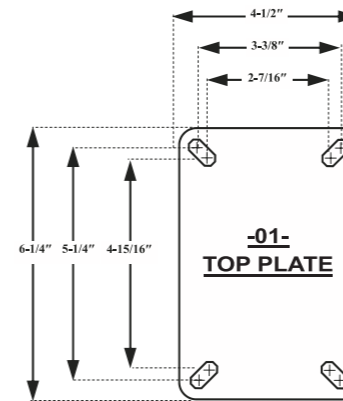
												SWIVEL #		RIGID #	
4	2	DUCTILE STEEL	ROLLER	1500	3-1/4	5-11/16	WC9140-01-DUC	WC9140R-01-DUC							
		LAMINATED PHENOLIC	ROLLER	1000			WC9140-01-LPN	WC9140R-01-LPN							
		PHENOLIC	ROLLER	800			WC9140-01-PHN	WC9140R-01-PHN							
		DURAPLAS (POLYOLEFIN)	ROLLER	700			WC9140-01-XDP	WC9140R-01-XDP							
		POLYURETHANE ON CAST IRON	ROLLER	800			WC9140-01-PCI	WC9140R-01-PCI							
		POLYURETHANE ON ALUMINUM	ROLLER	800			WC9140-01-PAL	WC9140R-01-PAL							
		POLY-U / POLY-O (BLUE ON BLACK)	ROLLER	800			WC9140-01-XLB	WC9140R-01-XLB							
		RUBBER ON CAST IRON	ROLLER	350			WC9140-01-RCI	WC9140R-01-RCI							
		ROUND POLYURETHANE ON ALUMINUM	6204 P.BB	900			WC9140-01-RPAL	WC9140R-01-RPAL							
		SOLID POLYURETHANE	ROLLER	800			WC9140-01-SPU	WC9140R-01-SPU							
		STEEL (CAST IRON)	ROLLER	1000			WC9140-01-STL	WC9140R-01-STL							
		V-GROOVE (CAST IRON)	ROLLER	1000			WC9140-01-VG	WC9140R-01-VG							
		YOKE ONLY	-	2200			WC9140-01-Y	WC9140R-01-Y							
5	2	DUCTILE STEEL	ROLLER	1650	4	6-9/16	WC9150-01-DUC	WC9150R-01-DUC							
		DURAPLAS (POLYOLEFIN)	ROLLER	1200			WC9150-01-XDP	WC9150R-01-XDP							
		LAMINATED PHENOLIC	ROLLER	1250			WC9150-01-LPN	WC9150R-01-LPN							
		PHENOLIC	ROLLER	1000			WC9150-01-PHN	WC9150R-01-PHN							
		POLYURETHANE ON CAST IRON	ROLLER	1200			WC9150-01-PCI	WC9150R-01-PCI							
		POLYURETHANE ON ALUMINUM	ROLLER	1200			WC9150-01-PAL	WC9150R-01-PAL							
		POLY-U / POLY-O (BLUE ON BLACK)	ROLLER	1000			WC9150-01-XLB	WC9150R-01-XLB							
		RUBBER ON CAST IRON	ROLLER	450			WC9150-01-RCI	WC9150R-01-RCI							
		ROUND POLYURETHANE ON ALUMINUM	6204 P.BB	900			WC9150-01-RPAL	WC9150R-01-RPAL							
		SOLID POLYURETHANE	ROLLER	1000			WC9150-01-SPU	WC9150R-01-SPU							
		STEEL (CAST IRON)	ROLLER	1000			WC9150-01-STL	WC9150R-01-STL							
		V-GROOVE (CAST IRON)	ROLLER	1100			WC9150-01-VG	WC9150R-01-VG							
		YOKE ONLY	-	2200			WC9150-01-Y	WC9150R-01-Y							
6	2	POLYOLEFIN	PLAIN	700	4-3/4	7-3/4	WC9160-01-HDP-PB	WC9160R-01-HDP-PB							
		DURAPLAS (POLYOLEFIN)	6204 P.BB	1300			WC9160-01-XDPP	WC9160R-01-XDPP							
		DURAPLAS (POLYOLEFIN)	OILITE	1200			WC9160-01-XDPO	WC9160R-01-XDPO							
		DURAPLAS (POLYOLEFIN)	PLAIN	1200			WC9160-01-XDP-PB	WC9160R-01-XDP-PB							
		DURAPLAS (POLYOLEFIN)	ROLLER	1200			WC9160-01-XDP	WC9160R-01-XDP							
		THERMOPLASTIC RUBBER	ROLLER	410			WC9160-01-TPR	WC9160R-01-TPR							
		LAMINATED PHENOLIC	ROLLER	1500			WC9160-01-LPN	WC9160R-01-LPN							
		PHENOLIC	ROLLER	1200			WC9160-01-PHN	WC9160R-01-PHN							
		POLYURETHANE ON CAST IRON	ROLLER	1250			WC9160-01-PCI	WC9160R-01-PCI							
		POLYURETHANE ON ALUMINUM	ROLLER	1250			WC9160-01-PAL	WC9160R-01-PAL							
		POLY-U / POLY-O (BLUE ON BLACK)	ROLLER	1000			WC9160-01-XLB	WC9160R-01-XLB							
		RUBBER ON CAST IRON	ROLLER	500			WC9160-01-RCI	WC9160R-01-RCI							
		ROUND THERMOPLASTIC RUBBER	ROLLER	410			WC9160-01-RTP	WC9160R-01-RTP							
		ROUND POLYURETHANE ON ALUMINUM	6204 P.BB	1000			WC9160-01-RPAL	WC9160R-01-RPAL							
		DUCTILE STEEL	ROLLER	1800			WC9160-01-DUC	WC9160R-01-DUC							
		STEEL (CAST IRON)	ROLLER	1400			WC9160-01-STL	WC9160R-01-STL							
		V-GROOVE (CAST IRON)	ROLLER	1400			WC9160-01-VG	WC9160R-01-VG							
		SOLID POLYURETHANE	ROLLER	1200			WC9160-01-SPU	WC9160R-01-SPU							
		YOKE ONLY	-	2200			WC9160-01-Y	WC9160R-01-Y							

# WC 9100 SERIES

										SWIVEL #		RIGID #	
8	2	DUCTILE STEEL	ROLLER	2000	5-7/8	10-1/8	WC9180-01-DUC	WC9180R-01-DUC					
		DURAPLAS (POLYOLEFIN)	ROLLER	1400			WC9180-01-XDP	WC9180R-01-XDP					
		PHENOLIC	ROLLER	1400			WC9180-01-PHN	WC9180R-01-PHN					
		POLYURETHANE ON CAST IRON	ROLLER	1500			WC9180-01-PCI	WC9180R-01-PCI					
		POLYURETHANE ON ALUMINUM	ROLLER	1500			WC9180-01-PAL	WC9180R-01-PAL					
		POLY-U / POLY-O (BLUE ON BLACK)	ROLLER	1100			WC9180-01-XLB	WC9180R-01-XLB					
		POLY-U / POLY-O (GRAY ON BEIGE)	ROLLER	1100			WC9180-01-XLG	WC9180R-01-XLG					
		ROUND POLYURETHANE ON ALUMINUM	6204 P.BB	1200			WC9180-01-RPAL	WC9180R-01-RPAL					
		RUBBER ON CAST IRON	ROLLER	600			WC9180-01-RCI	WC9180R-01-RCI					
		SOLID POLYURETHANE	ROLLER	1300			WC9180-01-SPU	WC9180R-01-SPU					
		STEEL (CAST IRON)	ROLLER	1400			WC9180-01-STL	WC9180R-01-STL					
		V-GROOVE (CAST IRON)	ROLLER	1400			WC9180-01-VG	WC9180R-01-VG					
		YOKE ONLY	-	2200			WC9180-01-Y	WC9180R-01-Y					

## FASTENERS FOR WC 9100 SERIES

FASTENER TYPE	CODE	SIZE	
TOP PLATE	01	OVERALL SIZE: BOLT HOLE SPACING: ATTACHING BOLT SIZE:	4-1/2 x 6-1/4 2-7/16 x 4-15/16 SLOTTED TO 3-3/8 x 5-1/4 1/2



### BEARING OPTIONS:

(Add the desired bearing option abbreviation after the wheel designator).  
Example: WC9160-01-XDP-BB

DELIN BEARINGS 3/4" I.D. W/ STEEL SPANNER TO 1/2"	DBO
DELIN BEARINGS 3/4" I.D. W/ DELRIN SPANNER TO 1/2"	DBD
DELIN BEARINGS 1/2" I.D.	DB
ROLLER BEARINGS WITH ALL METAL COMPONENTS (A must for high-temp applications)	AMC
SEALED PRECISION BALL BEARINGS (See bearing explanation & picture on the bottom of the page)	BB

## OPTIONS FOR WC 9100

(Add option abbreviation to end of the caster part #)

### INTEGRATED TLB



TLB

### POSITION LOCK



PSL

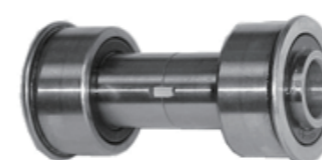
### THREAD GUARDS



TG

### SPECIAL FINISHES (FACTORY ORDER)

POLISHED GOLD FINISH	PGF
BLACK OXIDE	BO
NICKLE	N
CHROME	CR



### Use Sealed Precision Ball Bearings in any wheel instead of Roller Bearings!

Sealed precision ball bearings provide a low maintenance, ergonomic ride with minimal effort to start-up and push loads. To order, change the part number as follows: Add a -BB, after the wheel designation. (Example: Standard roller bearing caster, WC9180-01-XLG. Caster with Sealed precision bearings, WC9180-01-XLG-BB).



# WC 9400 SERIES

## FASTENERS FOR WC 9400 SERIES

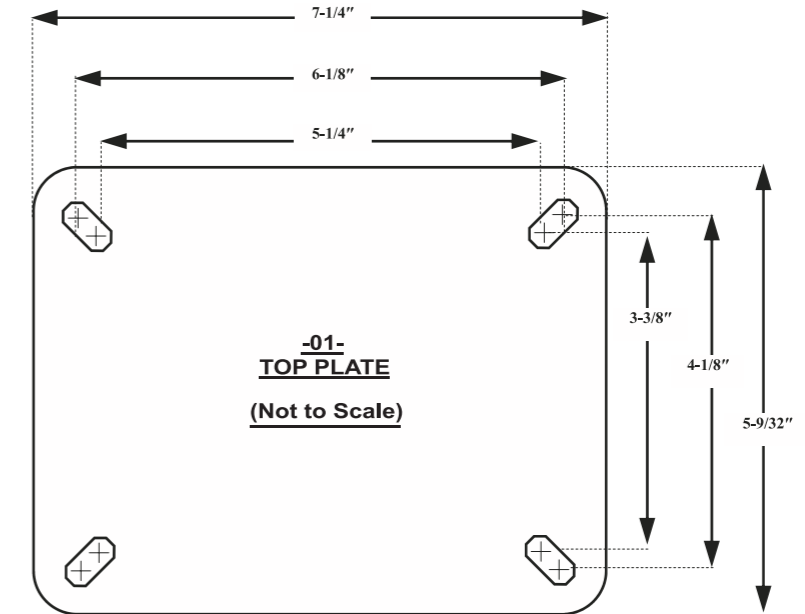
FASTENER TYPE	CODE	SIZE
TOP PLATE	01	OVERALL SIZE: 5-9/32 x 7-1/4 BOLT HOLE SPACING: 3-3/8 x 5-1/4 SLOTTED TO 4-1/8 x 6-1/8 ATTACHING BOLT SIZE: 1/2



# WC 9400 SERIES

- Kingpinless style construction eliminates problems associated with kingpin failure
- Single ball, precision machined, hardened & heat treated, "Kingpinless style raceway." (diameter raceway with "1/2" bearings)
- Top plate and yoke assembly: AISI 1045 drop forged steel. Legs are formed from 23/64" forged steel and are double welded for strength
- Corrosion-resistant zinc plated finish
- 3/4" diameter axle bolt with lock nut. Zerk grease fitting in axle & raceway
- Applications: Great for applications involving extreme shock loading, towing, moving over cracks, uneven floors, and tarmacs, heavy mobile machinery & equipment, Extra heavy-duty material handling carts, buggies & platform trucks, ground support equipment, Extra heavy-duty warehouse and manufacturing plant applications, A frames, etc

										SWIVEL #	RIGID #
6	2-1/2	HEAVY DUTY POLYURETHANE ON CAST IRON	TAPERED	2800	5-1/4	8	WC9460-01-HDPCI	WC9460R-01-HDPCI			
		PHENOLIC	ROLLER	1600			WC9460-01-PHN	WC9460R-01-PHN			
		LAMINATED PHENOLIC	ROLLER	2500			WC9460-01-LPN	WC9460R-01-LPN			
		POLYURETHANE ON CAST IRON	ROLLER	2000			WC9460-01-PCI	WC9460R-01-PCI			
		RUBBER ON CAST IRON	ROLLER	750			WC9460-01-RCI	WC9460R-01-RCI			
		STEEL (CAST IRON)	ROLLER	2500			WC9460-01-STL	WC9460R-01-STL			
		DUCTILE STEEL	ROLLER	3500			WC9460-01-DUC	WC9460R-01-DUC			
		DUCTILE V-GROOVE	ROLLER	3500			WC9460-01-DVG	WC9460R-01-DVG			
		V-GROOVE (CAST IRON)	ROLLER	2000			WC9460-01-VG	WC9460R-01-VG			
		YOKE ONLY	-	6000			WC9460-01-Y	WC9460R-01-Y			
8	2-1/2	HEAVY DUTY POLYURETHANE ON CAST IRON	TAPERED	3200	6-1/16	10-1/8	WC9480-01-HDPCI	WC9480R-01-HDPCI			
		PHENOLIC	ROLLER	2000			WC9480-01-PHN	WC9480R-01-PHN			
		LAMINATED PHENOLIC	ROLLER	3125			WC9480-01-LPN	WC9480R-01-LPN			
		POLYURETHANE ON CAST IRON	ROLLER	2500			WC9480-01-PCI	WC9480R-01-PCI			
		RUBBER ON CAST IRON	ROLLER	900			WC9480-01-RCI	WC9480R-01-RCI			
		STEEL (CAST IRON)	ROLLER	2500			WC9480-01-STL	WC9480R-01-STL			
		DUCTILE STEEL	ROLLER	3750			WC9480-01-DUC	WC9480R-01-DUC			
		DUCTILE V-GROOVE	ROLLER	3750			WC9480-01-DVG	WC9480R-01-DVG			
		V-GROOVE (CAST IRON)	ROLLER	2500			WC9480-01-VG	WC9480R-01-VG			
		YOKE ONLY	-	6000			WC9480-01-Y	WC9480R-01-Y			
10	2-1/2	HEAVY DUTY POLYURETHANE ON CAST IRON	TAPERED	3600	7-3/8	11-3/4	WC9410-01-HDPCI	WC9410R-01-HDPCI			
		PHENOLIC	ROLLER	2500			WC9410-01-PHN	WC9410R-01-PHN			
		LAMINATED PHENOLIC	ROLLER	3625			WC9410-01-LPN	WC9410R-01-LPN			
		POLYURETHANE ON CAST IRON	ROLLER	3000			WC9410-01-PCI	WC9410R-01-PCI			
		RUBBER ON CAST IRON	ROLLER	1000			WC9410-01-RCI	WC9410R-01-RCI			
		STEEL (CAST IRON)	ROLLER	2700			WC9410-01-STL	WC9410R-01-STL			
		DUCTILE STEEL	ROLLER	4000			WC9410-01-DUC	WC9410R-01-DUC			
YOKE ONLY	-	6000	WC9410-01-Y	WC9410R-01-Y							
12	2-1/2	HEAVY DUTY POLYURETHANE ON CAST IRON	TAPERED	4000	8-15/16	13-3/4	WC9412-01-HDPCI	WC9412R-01-HDPCI			
		PHENOLIC	ROLLER	3000			WC9412-01-PHN	WC9412R-01-PHN			
		LAMINATED PHENOLIC	ROLLER	4375			WC9412-01-LPN	WC9412R-01-LPN			
		POLYURETHANE ON CAST IRON	ROLLER	3500			WC9412-01-PCI	WC9412R-01-PCI			
		RUBBER ON CAST IRON	ROLLER	1200			WC9412-01-RCI	WC9412R-01-RCI			
		STEEL (CAST IRON)	ROLLER	2500			WC9412-01-STL	WC9412R-01-STL			
		YOKE ONLY	-	6000			WC9412-01-Y	WC9412R-01-Y			



## OPTIONS FOR WC 9400

(Add option abbreviation to end of the caster part #)

### INTEGRATED TLB



TLB

### POSITION LOCK



PSL

## SPECIAL FINISHES (FACTORY ORDER)

POLISHED GOLD FINISH	PGF
BLACK OXIDE	BO
NICKLE	N
CHROME	CR



# OPTIONS & COMPONENTS



**PEDAL WHEEL BRAKES**  
Steel frame, steel rivets, black poly pedal.  
(Comes with 3/8" zinc plated hex axle & nut)

USE WITH WHEEL SIZE	USE IN SERIES	AXLE SIZE	PART NUMBER
3 x 1-1/4	WC 4030, WC 5230	3/8	PWB-5230
3.5 x 1-1/4	WC 5235		PWB-5235
4 x 1-1/4	WC 5040, WC 5240		PWB-5240
5 x 1-1/4	WC 3850, WC 5250		PWB-5250



**PEDAL WHEEL BRAKES**  
All stainless steel with gray poly pedal.  
(Comes with stainless steel 3/8" hex axle & nut)

USE WITH WHEEL SIZE	USE IN SERIES	AXLE SIZE	PART NUMBER
3 x 1-1/4	WC S5230	3/8	SPWB-5230
3.5 x 1-1/4	WC S5235		SPWB-5235
4 x 1-1/4	WC S5240		SPWB-5240
5 x 1-1/4	WC S5250		SPWB-5250



**POSITION-LOCKS (BOLT ON TYPE)**

CASTER SERIES USED ON	PART #
WC 6600, WC P7690, WC 9000	PSL-6600-WR
WC 6800, WC 9100, WC 9200	PSL-9100-WR
WC 9400, WC 9500	PSL-9500-WR

POSITION LOCK BRAKES MAY BE ORDERED WELDED ON TO SWIVEL YOKE.



**TOP LOCK BRAKES (TLB)**

USE WITH WHEEL SIZE	USE IN SERIES SIZE	AXLE SIZE	PART NUMBER
2 x 15/16	WC 4020	1/4	TLB-4020
2 x 1	WC3820	5/16	TLB-3820
2-1/2 x 1-1/8	WC 4025	5/16	TLB-4025
2-1/2 x 1-1/8	WC 3825	5/16	TLB-3825
2-1/2 x 1-3/4	WC 5625	3/8	TLB-5625
3 x 1	WC 3430, WC 3630	5/16	TLB-3630
3 x 1-1/4	WC 3830	5/16	TLB-3830
3 x 1-1/4	WC 4030, WC 5030, WC 5230	3/8	TLB-5230
3 x 1-13/16	WC 5630	3/8	TLB-5630
3-1/2 x 1-1/4	WC 5035, WC 5235	3/8	TLB-5235
4 x 1	WC 3440, WC 3640	5/16	TLB-3640
4 x 1-1/4	WC 3840	3/8	TLB-3840
4 x 1-1/4	WC 5040, WC 5240	3/8	TLB-5240
4 x 1-1/2	WC 4040	3/8	TLB-4040
4 x 1-1/2	WC 5540	3/8	TLB-5540
4 x 2	WC 5640	1/2	TLB-5640
4 x 1-1/2 & 4 x 2	WC 6440, WC 6640, WC 6740, WC 6840, WC 9040	1/2	TLB-6640
5 x 1	WC 3450, WC 3600	5/16	TLB-3650
5 x 1-1/4	WC 3850	3/8	TLB-3850
5 x 1-1/4	WC 5050, WC 5250	3/8	TLB-5250
5 x 1-1/2	WC 5550	3/8	TLB-5550
5 x 2	WC 5650	1/2	TLB-5650
5 x 1-1/2 & 5 x 2	WC 6450, WC 6650, WC 6850, WC 9050	1/2	TLB-6650
6 x 1-1/4	WC5060, WC 5260	3/8	TLB-5260
6 x 1-1/2	WC 5560	1/2	TLB-5560
6 x 2	WC 5660	1/2	TLB-5660
6 x 1-1/2 & 6 x 2	WC 6460, WC 6660, WC 6860, WC 9060	1/2	TLB-6660
6 x 2-1/2	**WC 9260	3/4	**TLB-9260
6 x 2-1/2 & 6 x 3	**WC 9460, WC 9560	3/4	**TLB-9560
8 x 2	WC 6680, WC 6880, WC 9080	1/2	TLB-6680
8 x 2-1/2	**WC 9280	3/4	**TLB-9280
8 x 2-1/2 & 8 x 3	**WC 9480, WC 9580	3/4	**TLB-9580
8" & 9"	PNEUMATIC CASTER WC P7680 & *WC P7690	1/2	*PTLB-7690
10 x 2-1/2	**WC 9210	3/4	**TLB-9210
10 x 2-1/2 & 10 x 3	**WC 9410, WC 9510	3/4	**TLB-9510
10	PNEUMATIC CASTER WC P7610	1/2	PTLB-7610
12 x 2-1/2	**WC 9212	3/4	**TLB-9212
	**WC 9412, WC 9512	3/4	**TLB-9512
12	PNEUMATIC CASTER WC P7612	1/2	PTLB-7612

\*POLISHED GOLD/BRASS FINISH AVAILABLE, PLEASE INQUIRE

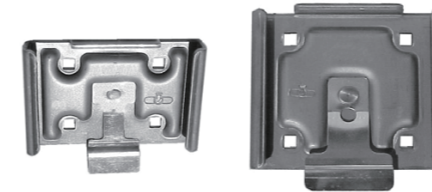
\*\* SOME COMPLICATIONS MAY ARISE DUE TO DIFFERENCES IN DIAMETERS AND TREAD FACES ON VARIOUS WHEELS. SOME ADJUSTMENTS MAY BE NEEDED TO WORK CORRECTLY. YOU MAY WANT TO ORDER THESE SERIES BRAKE CASTERS COMPLETE FROM US.

# OPTIONS & COMPONENTS



**TOP LOCK BRAKES, STAINLESS STEEL (STLB)**

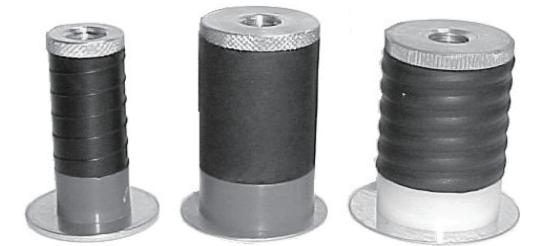
USE WITH WHEEL SIZE	USE IN SERIES SIZE	AXLE SIZE	I = Intergrated style (NEW) O = old Style	PART NUMBER
3 x 1-1/4	WC S5030, WC S5230	3/8	I	STLB-5230
3-1/2 x 1-1/4	WC S5035, WC S5235	3/8	I	STLB-5235
4 x 1-1/4	WC S5040, WC S5240	3/8	I	STLB-5240
4 x 2	WC S6640	1/2	I	STLB-6640
5 x 1-1/4	WC S5050, WC S5250	3/8	I	STLB-5250
5 x 2	WC S6650	1/2	I	STLB-6650
6 x 1-1/4	WC S5060, WC S5260	3/8	I	STLB-5260
6 x 2	WC S6660	1/2	I	STLB-6660
8 x 2	WC S6680	1/2	I	STLB-6680



**QUICK CHANGE PLATES ("TOOL-LESS TYPE") & WELD PLATES**

TYPE OF PLATE	QCP: FOR PLATE SIZE WP: SIZE OF PLATE	PART NUMBER
ZINC PLATED QUICK CHANGE PLATE. DESIGNED TO BE ATTACHED TO EQUIPMENT USING A 5/16" SQUARE SHOULDER BOLT.	OVERALL TOP PLATE SIZE: 2-1/2 x 3-5/8, THICKNESS: 5/32"	QCP-01-5200
UNPLATED QUICK CHANGE PLATE. DESIGNED TO BE *WELDED TO EQUIPMENT.	FITS SERIES: WC 3800-01, WC 5000-01, WC 5200-01, WC 5700-01, WC 5500-01, WC5600-01	QCP-01-5200-UNPLATED
ZINC PLATED QUICK CHANGE PLATE. DESIGNED TO BE ATTACHED TO EQUIPMENT USING A 5/16" SQUARE SHOULD BOLT.	OVERALL TOP PLATE SIZE: 4 x 4-1/2, 1/4" THICKNESS: 1/4"	QCP-01-6600
UNPLATED QUICK CHANGE PLATE. DESIGNED TO BE *WELDED TO EQUIPMENT.	FITS SERIES: WC 5600-02, WC 6400-01, WC 6600-01, WC P7600-01, WC 9000-01	QCP-01-6600-UNPLATED
<u>WELD PLATE</u> (UNPLATED)	OVERALL SIZE: 2-1/2 x 3-5/8 BOLT HOLE PATTERN: 1-3/4 x 2-7/8 SLOTTED TO 3 THICKNESS: 5/32"	WELD PLATE-5200
<u>WELD PLATE</u> (UNPLATED)	OVERALL SIZE: 4 x 1-1/2 BOLT HOLE PATTERN: 2-5/8 x 3-5/8 SLOTTED TO 3 x 3 THICKNESS: 1/4"	WELD PLATE-6600
<u>WELD PLATE</u> (UNPLATED)	OVERALL SIZE: 4-1/2 x 6-1/4 BOLT HOLE PATTERN: 2-7/16 x 4-15/16 SLOTTED TO 3-3/8 x 5-1/4 THICKNESS: 1/4"	WELD PLATE-6800

\*Weld quick change plates to equipment with the clip facing towards the inside. This will prevent the clip that holds the caster in place from hitting objects that may cause it to become loose.



**EXPANDABLE ADAPTERS**  
KITS INCLUDE: BOTTOM WASHER, PLASTIC SUPPORT, RUBBER EXPANDERS & METAL FASTENER.

FOR TUBING SIZE	CASTER STEM DESIGNATION	KIT PART #
1-1/2" OD 1-3/8" ID	25	EXP-1-3/8
1-5/8" OD 1-1/2" ID	26	EXP-1.5
1" OD 7/8" ID	27	EXP-7/8
1-1/8" OD 1" ID	28	EXP-1
1-1/4" OD 1-1/8" ID	29	EXP-1-1/8



**CORNER BUMPERS**

COLOR	SIZE	PART#
GRAY	4 x 4	CORNER BUMPER
BLACK	4 x 4	CORNER BUMPER-B



**FLOOR LOCKS**

CORRESPONDING CASTER SIZE	LOWERED HEIGHT	EXTENDED HEIGHT	PART NUMBER
4	4-3/4	6	FL-4
5	5-1/2	6-3/4	FL-5
6	6-1/2	7-3/4	FL-6
8	8-1/2	9-3/4	FL-8

# OPTIONS & COMPONENTS



## AXLES AND NUTS

DIAMETER	LENGTH	FOR SERIES (& SIZE)	PART #
<b>ROUND HEAD AXLES:</b>			
3/8	2-1/4	WC 4030, WC 3840, WC 3850, WC 5000, WC 5200, WC 5700, PWB-5200	YA1-CO6
<b>PLAIN HEX AXLES:</b>			
5/16	2-1/4		YA1-B07
3/8	2-1/4		YA1-B08
1/2	4-1/8	WC P7680, WC P7690	P-YA3-F11
1/2	5	WC P7610	P-YA3-H11
1/2	5-3/8	WC P7612	P-YA3-G11
<b>ZERK AXLES:</b>			
3/8	2-3/16	WC 4030, WC 3840, WC 3850, WC 5000, WC 5200, WC 5700	YA3-CO7
3/8	2-5/8	WC 5540, WC 5550, WC 5630	YA3-CO8
1/2	3	WC 6400	YA3-D11
1/2	3-3/8	WC 6600, WC 6800, WC 9000	YA3-E11
1/2	3-7/8	WC 68625, WC 68825	YA3-E11-LONG
3/4	4-1/2	WC 9200, WC 9400	YA3-F11
3/4	4-15/16	WC 9500	YA3-G11
<b>STAINLESS STEEL (PLAIN AXLE)</b>			
3/8	2-3/16	WC S5000, WC S5200	YA1-CO6-SS
3/8	2-1/4	WC S5200	YA-PWB-SS (FOR SPWB)
<b>STAINLESS STEEL (ZERK AXLE)</b>			
3/8	2-3/16	WC S5000, WC S5200	YA3-CO7-SS
1/2	3-3/8	WC S6600	YA3-E11-SS



## SOCKETS (FOR 7/16 GRIP RING STEMS -11-)

SOCKET TYPE	OUTER DIAMETER	TUBING SIZE & GAUGE	PART #
ROUND	.910	1" 16 G	S-7/8-RR
	.660	3/4" 16 G	S-5/8-RR
SQUARE	.935	1" 16 G	S-7/8-SQ
	.660	3/4" 16 G	S-5/8-SQ



## SPANNER BUSHINGS

OUTER DIAMETER	INNER DIAMETER	LENGTH	CROSS DRILLED HOL	PART #
<b>DELRIN:</b>				
1/2	3/8	1-1/2	NO	YB2-E03
1/2	3/8	1-5/8	NO	YB2-E04
1/2	3/8	1-11/16	NO	YB2-E05
3/4	3/8	1-11/16	YES	YB2-E10
3/4	1/2	1-7/8	YES	YB2-E02
3/4	1/2	2-7/16	YES	YB2-E07
<b>STEEL:</b>				
3/4	5/8	2-7/16	YES	YB2-E13
3/8	5/16	1-5/8	NO	YB1-A03
1/2	3/8	1-5/8	YES	YB1-B03
1/2	3/8	1-11/16	YES	YB1-B04
5/8	3/8	2-1/16	NO	YB2-C03
3/4	1/2	1-7/8	YES	YB2-E01
3/4	1/2	2-7/16	YES	YB2-E06
3/4	1/2	2-15/16	YES	YB2-G08
1	3/4	2-7/8	YES	YB2-F06
1	3/4	3-3/8	YES	YB2-G06
<b>STAINLESS STEEL:</b>				
1/2	3/8	1-5/8	YES	YB1-B03-SS
3/4	1/2	2-7/16	YES	YB2-E06-SS
<b>TOP HAT BUSHINGS, OILITE STEEL "DUAL SPANNER WASHERS"</b>				
1/2	3/8	1-7/16 INNER 1-5/8 OUTER	YES	DSW-PHN (FOR 1-1/4" FACE PHENOLIC WHEELS)
5/8	3/8	1.635 INNER 1-7/8 OUTER	NO	RBTHSB-5500 (FOR WC 5500 SERIES RB)
.6625	1/2	2.193 INNER 2.469 OUTER	NO	PBTHSB-6600 (FOR WC 6203 PRECISION BB)

# OPTIONS & COMPONENTS



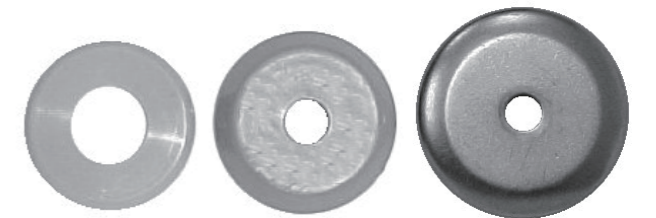
## BEARINGS (Part numbers are per piece, order 2 bearings for a set of Delrin, Ball bearings & Flanged roller bearings)

OUTER DIAMETER	USE IN SERIES SIZE	LENGTH	PART NUMBER
<b>DELRIN BEARINGS</b>			
1-3/16	1/2	11/16	DB-6600
1-3/16	3/4	11/16	DB-6600.75
1-3/16	1/2	1-7/8	SDB-6600 (1 PIECE SOLID)
<b>BALL BEARINGS (FLANGED STYLE) *Touch in the middle</b>			
1-1/8	5/16	.82	*BB-5/16
1-1/8	3/8	.82	*BB-3/8
1-3/8	1/2	.55	P-1/2BB
1-3/8	5/8	.55	P-5/8BB
1-3/8	3/4	.55	P-3/4BB
<b>STAINLESS STEEL, BALL BEARINGS (FLANGED STYLE) *Touch in the middle</b>			
1-1/8	3/8	.82	*BB-3/8-SS
<b>SEALED PRECISION BALL (FLANGED STYLE) *Touch in the middle</b>			
1-3/16	1/2	1-1/4	*BB-6600
1-3/8	1/2	.515	P-1/2FPB
1-3/8	5/8	.515	P-5/8FPB
1-3/8	3/4	.515	P-3/4FPB
<b>STAINLESS STEEL, SEALED PRECISION BALL (FLANGED STYLE) *Touch in the middle</b>			
1-3/16	1/2	1-1/4	*BB-6600-SS
<b>SEALED PRECISION BALL BEARINGS (FOR USE WITH TOP HAT BUSHINGS)</b>			
1.572	.670	.70	6203-2RS
<b>ROLLER BEARINGS</b>			
1-3/16	3/4	1-3/8	RB-6400
1-3/16	3/4	1-7/8	RB-6600
1-3/16	3/4	2-1/2	RB-9400-(1-3/16)
1-3/8	3/4	2.72	P-RB-7610 (NO OUTER RACE)
1-15/16	1	2-1/2	RB-9400
1-15/16	1-1/4	2-1/2	RB-9400-(1-25)
1-15/16	1	3	RB-9500
1-15/16	1-1/4	3	RB-9500-(1.25)
<b>FLANGED ROLLER BEARINGS</b>			
1-3/8	5/8	1-1/2	P-FRB-5/8
1-3/8	3/4	1-1/2	P-FRB-3/4



## RETAINER WASHERS

WASHER TYPE	OUTER DIAMETER	INNER DIAMETER	PART #
DELRIN FLANGED	1-3/16	3/4	RW-6600
METAL FLANGED	1-3/16	3/4	RWM-6600B
METAL, FLAT	1-3/16	3/4	RWM-6600
METAL FLAT	1-15/16	1	RW-9400
METAL FLAT	1-15/16	1-1/4	RW-9400-1.25



## (BC) BEARING COVERS (PLASTIC) & (TG) THREAD GUARD (METAL)

COMMON WHEEL DIAMETER	OUTER DIAMETER	INNER DIAMETER	PART #
FOR ALL PPBG & TRB WHEELS (BEIGE)	1.495	3/8	BCG-5200
FOR ALL PAL WHEELS (BLUE)	1.615	3/8	BC-PAL
FOR ALL RAL WHEELS (GRAY)	1.615	3/8	BC-RAL
3	1.795	3/8	TG-5230-3/8
4	2.285	3/8	TG-5240-3/8
5	1.115	3/8	TG-5250-3/8
4	2-5/8	1/2	TG-6640
5	3-1/4	1/2	TG-6650
6	3.895	1/2	TG-6660
8	5.69	1/2	TG-6680

# WHEELS

## CENTIPEDE WHEEL



Centered Hub



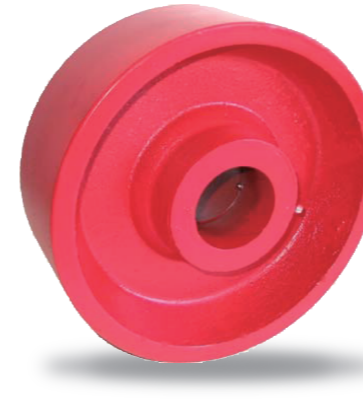
Offset Hub

- Our "Centipede" wheel is made out of microcellular polyurethane foam. It provides a lightweight, cushioned ride without worry, maintenance or a flat tire. The hub assembly is a durable 2-piece nylon construction. These wheels perform best with precision ball bearings
- Black non-marking tread on a yellow nylon hub makes for an attractive super lightweight wheel that can be used in various applications
- Other colors available upon request, Sufficient quantities required. Please inquire
- Applications: Carts, platform trucks for industrial, commercial and institutional environments demanding a cushioned ride. Carrying sensitive materials, chemicals, electronics, ceramics, glass, sound and lighting equipment. Great for use on equipment that may need to traverse different terrains, such as: generators, compressors, pressure washers, sprayers, snow-blowers, heaters & fans, vacuums, wheel-barrow, fertilizer spreaders, wagons, lawn & garden equipment, etc.

GENERIC WHEEL DIAMETER	TREAD WIDTH	HUB LENGTH	WEIGHT CAPACITY	PLAIN BORE NO BEARING	PART # BALL (ECONOMY)	PART # FLANGED PRECISION BALL
<b>CENTERED HUB</b>						
10	3	3-29/32	250	1/2	P-W10-CH-C-1/2 P-W10-CH-CG-1/2 P-W10-CH-CKG-1/2	P-W10-CH-C-PB-1/2 P-W10-CH-CG-PB-1/2 P-W10-CH-CKG-PB-1/2
				5/8	P-W10-CH-C-5/8 P-W10-CH-CG-5/8 P-W10-CH-CKG-5/8	P-W10-CH-C-5/8 P-W10-CH-CG-5/8 P-W10-CH-CKG-5/8
				3/4	P-W10-CH-C-3/4 P-W10-CH-CG-3/4 P-W10-CH-CKG-3/4	P-W10-CH-C-PB-3/4 P-W10-CH-CG-PB-3/4 P-W10-CH-CKG-PB-3/4
<b>OFFSET HUB</b>						
10	3	2.442	250	1/2	P-W10-OH-C-1/2 P-W10-OH-CG-1/2 P-W10-OH-CKG-1/2	P-W10-OH-C-PB-1/2 P-W10-OH-CG-PB-1/2 P-W10-OH-CKG-PB-1/2
				5/8	P-W10-OH-C-5/8 P-W10-OH-CG-5/8 P-W10-OH-CKG-5/8	P-W10-OH-C-PB-5/8 P-W10-OH-CG-PB-5/8 P-W10-OH-CKG-PB-5/8
				3/4	P-W10-OH-C-3/4 P-W10-OH-CG-3/4 P-W10-OH-CKG-3/4	P-W10-OH-C-PB-3/4 P-W10-OH-CG-PB-3/4 P-W10-OH-CKG-PB-3/4

# WHEELS

## DUCTILE STEEL



- Made from premium Ductile Iron
- Extra heavy core provides superior strength over standard Semi-steel wheels
- Extra thick hub provides strength as well as the ability for it to be machined out for special bore sizes, bearing options and keyways
- Resists breaking, chipping & cracking
- Minimal effort required to start-up and push loads
- Great for applications requiring extreme temperatures
- Temperature rating: -40 to +800 degrees Fahrenheit (All metal components should be used in applications over 180 degrees).
- Durometer: 225-265 Brinell

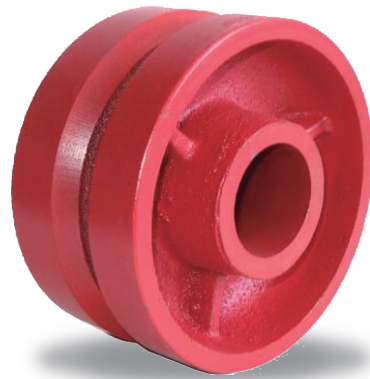
WHEEL DIAMETER	TREAD WIDTH	HUB LENGTH	WEIGHT CAPACITY	BEARING/ BUSHING LD.	PART # ROLLER BEARINGS	PART # SEALED PRECISION BALLS	PART# DELRIN BEARINGS	PART# DELRIN BEARINGS .75 W/ STEEL SPANNER	PART # BLANK (NO BEARING)	PLAIN BORE NO BEARING
4	2	2-3/16	1500	1/2	W-4-DUC-9100-C	W-4-DUC-9100-BB	W-4-DUC-9100-DB	W-4-DUC-9100-DBO	W-4-DUC-9100	1-3/16
5	2	2-3/16	1650	1/2	W-5-DUC-9100-C	W-5-DUC-9100-BB	W-5-DUC-9100-DB	W-5-DUC-9100-DBO	W-5-DUC-9100	1-3/16
6	2	2-3/16	1800	1/2	W-6-DUC-9100-C	W-6-DUC-9100-BB	W-6-DUC-9100-DB	W-6-DUC-9100-DBO	W-6-DUC-9100	1-3/16
6	2-1/2	2-3/4	3500	3/4	W-6-DUC-9400-C	N/A	N/A	N/A	W-6-DUC-9400	1-15/16
6	2-1/2	2-3/4	3500	1	W-6-DUC-9400-C-1 (NO BUSHING)	N/A	N/A	N/A	W-6-DUC-9400	1-15/16
6	2-1/2	2-3/4	3500	1-1/4	W-6-DUC-9400-C-1.25 (NO BUSHING)	N/A	N/A	N/A	W-6-DUC-9400	1-15/16
6	3	3-1/4	4500	3/4	W-6-DUC-9500-C	W-6-DUC-9500-BB	N/A	N/A	W-6-DUC-9500	1-15/16
6	3	3-1/4	4500	1	W-6-DUC-9500-C-1 (NO BUSHING)	N/A	N/A	N/A	W-6-DUC-9500	1-15/16
6	3	3-1/4	4500	1-1/4	W-6-DUC-9500-C-1.25 (NO BUSHING)	N/A	N/A	N/A	W-6-DUC-9500	1-15/16
8	2	2-3/16	2000	1/2	W-8-DUC-9100-C	W-8-DUC-9100-BB	W-8-DUC-9100-DB	W-8-DUC-9100-DBO	W-8-DUC-9100	1-3/16
8	2-1/2	2-3/4	3750	3/4	W-8-DUC-9400-C	N/A	N/A	N/A	W-8-DUC-9400	1-15/16
8	2-1/2	2-3/4	3750	1	W-8-DUC-9400-C-1 (NO BUSHING)	N/A	N/A	N/A	W-8-DUC-9400	1-15/16
8	2-1/2	2-3/4	3750	1-1/4	W-8-DUC-9400-C-1.25 (NO BUSHING)	N/A	N/A	N/A	W-8-DUC-9400	1-15/16
8	3	3-1/4	4750	3/4	W-8-DUC-9500-C	W-8-DUC-9500-BB	N/A	N/A	W-8-DUC-9500	1-15/16
8	3	3-1/4	4750	1	W-8-DUC-9500-C-1 (NO BUSHING)	N/A	N/A	N/A	W-8-DUC-9500	1-15/16
8	3	3-1/4	4750	1-1/4	W-8-DUC-9500-C-1.25 (NO BUSHING)	N/A	N/A	N/A	W-8-DUC-9500	1-15/16
10	2-1/2	2-3/4	4000	3/4	W-10-DUC-9400-C	N/A	N/A	N/A	W-10-DUC-9400	1-15/16
10	2-1/2	2-3/4	4000	1	W-10-DUC-9400-C-1 (NO BUSHING)	N/A	N/A	N/A	W-10-DUC-9400	1-15/16
10	2-1/2	2-3/4	4000	1-1/4	W-10-DUC-9400-C-1.25 (NO BUSHING)	N/A	N/A	N/A	W-10-DUC-9400	1-15/16
10	3	3-1/4	5000	3/4	W-10-DUC-9500-C	W-10-DUC-9500-BB	N/A	N/A	W-10-DUC-9500	1-15/16
10	3	3-1/4	5000	1	W-10-DUC-9500-C-1 (NO BUSHING)	N/A	N/A	N/A	W-10-DUC-9500	1-15/16
10	3	3-1/4	5000	1-1/4	W-10-DUC-9500-C-1.25 (NO BUSHING)	N/A	N/A	N/A	W-10-DUC-9500	1-15/16

\* TO ORDER 3/4 DELRIN BEARING WITH DELRIN BUSHING INSTEAD OF STEEL CHANGE PART # FROM-DBO TO DBD, TO ORDER WITH STAINLESS STEEL BUSHING CHANGE TO -DBS.



# WHEELS

## DUCTILE V GROOVE



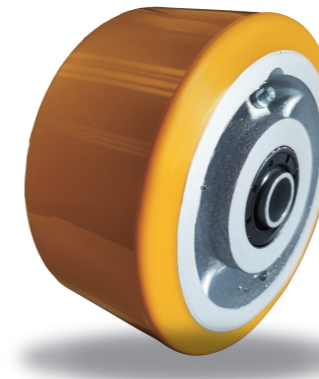
- Made from premium ductile iron
- Extra heavy core provides superior strength over standard semi-steel wheels
- Extra thick hub provides strength as well as the ability for it to be machined out for special bore sizes, bearing options and keyways
- Made for use on either angle iron track, a flat surface, or both
- Wheel is machined in the center of the tread with a relief groove at the base of the "V" directing the load to each side of the groove
- Resists breaking, chipping & cracking
- Minimal effort required to start-up and push loads
- Great for applications requiring extreme temperatures
- Temperature rating: -40 to +800 degrees Fahrenheit (All metal components should be used in applications over 180 degrees).
- Durometer: 225-265 Brinell

WHEEL DIAMETER	TREAD WIDTH	HUB LENGTH	WEIGHT CAPACITY	BEARING/ BUSHING I.D.	PART # ROLLER BEARINGS	PART # SEALED PRECISION BALLS	PART# DELRIN BEARINGS	PART# DELRIN BEARINGS .75 W/ STEEL SPANNER	PART # BLANK (NO BEARING)	PLAIN BORE NO BEARING
4	2	2-3/16	1500	1/2	W-4-DVG-9100-C	W-4-DVG-9100-BB	W-4-DVG-9100-DB	W-4-DVG-9100-DBO	W-4-DVG-9100	1-3/16
5	2	2-3/16	1650	1/2	W-5-DVG-9100-C	W-5-DVG-9100-BB	W-5-DVG-9100-DB	W-5-DVG-9100-DBO	W-5-DVG-9100	1-3/16
6	2	2-3/16	1750	1/2	W-6-DVG-9100-C	W-6-DVG-9100-BB	W-6-DVG-9100-DB	W-6-DVG-9100-DBO	W-6-DVG-9100	1-3/16
6	2-1/2	2-3/4	3500	3/4	W-6-DVG-9400-C	N/A	N/A	N/A	W-6-DVG-9400	1-15/16
6	2-1/2	2-3/4	3500	1	W-6-DVG-9400-C-1 (NO BUSHING)	N/A	N/A	N/A	W-6-DVG-9400	1-15/16
6	2-1/2	2-3/4	3500	1-1/4	W-6-DVG-9400-C-1.25 (NO BUSHING)	N/A	N/A	N/A	W-6-DVG-9400	1-15/16
6	3	3-1/4	4500	3/4	W-6-DVG-9500-C	W-6-DVG-9500-BB	N/A	N/A	W-6-DVG-9500	1-15/16
6	3	3-1/4	4500	1	W-6-DVG-9500-C-1 (NO BUSHING)	N/A	N/A	N/A	W-6-DVG-9500	1-15/16
6	3	3-1/4	4500	1-1/4	W-6-DVG-9500-C-1.25 (NO BUSHING)	N/A	N/A	N/A	W-6-DVG-9500	1-15/16
8	2	2-3/16	2000	1/2	W-8-DVG-9100-C	W-8-DVG-9100-BB	W-8-DVG-9100-DB	W-8-DVG-9100-DBO	W-8-DVG-9100	1-3/16
8	2-1/2	2-3/4	3750	3/4	W-8-DVG-9400-C	N/A	N/A	N/A	W-8-DVG-9400	1-15/16
8	2-1/2	2-3/4	3750	1	W-8-DVG-9400-C-1 (NO BUSHING)	N/A	N/A	N/A	W-8-DVG-9400	1-15/16
8	2-1/2	2-3/4	3750	1-1/4	W-8-DVG-9400-C-1.25 (NO BUSHING)	N/A	N/A	N/A	W-8-DVG-9400	1-15/16
8	3	3-1/4	4750	3/4	W-8-DVG-9500-C	W-8-DVG-9500-BB	N/A	N/A	W-8-DVG-9500	1-15/16
8	3	3-1/4	4750	1	W-8-DVG-9500-C-1 (NO BUSHING)	N/A	N/A	N/A	W-8-DVG-9500	1-15/16
8	3	3-1/4	4750	1-1/4	W-8-DVG-9500-C-1.25 (NO BUSHING)	N/A	N/A	N/A	W-8-DVG-9500	1-15/16

TO ORDER 3/4 DELRIN BEARING WITH DELRIN BUSHING INSTEAD OF STEEL CHANGE PART # FROM-DBO TO DBD, TO ORDER WITH STAINLESS STEEL BUSHING CHANGE TO -DBS.

# WHEELS

## HEAVY-DUTY POLYURETHANE ON CAST IRON



- Wheels made from premium polyurethane chemically bonded to a cast iron core
- Polyurethane is 1/2"-7/8" thick depending on the size of the wheel
- Wheels are non-marking, offer floor protection, and deliver a more cushioned and quieter ride compared to other hard tread wheels
- HDPCI wheels come standard with tapered bearings. Tapered bearings provide maximum rollability with minimal effort to start up and move a load. Tapered bearings can take higher load capacities and more abuse than other standard bearings.
- Resistant to most chemicals, oils, acids, grease, and water
- Temperature rating: -40 to 180 degrees
- Durometer: 60 shore D

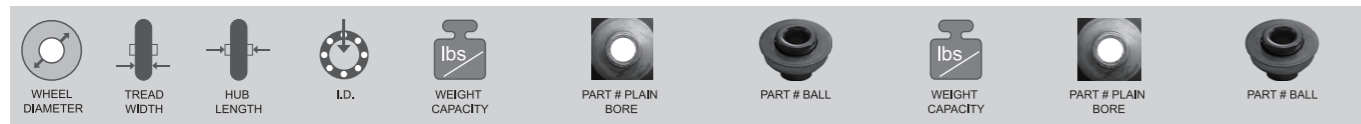
WHEEL DIAMETER	TREAD WIDTH	HUB LENGTH	WEIGHT CAPACITY	BEARING/ BUSHING I.D.	PART # ROLLER BEARINGS	PART # TAPERED ROLLER BEARING
6	3	3-1/4	3500	3/4	N/A	W-6-HDPCI-9500-T
8	3	3-1/4	4000	3/4	N/A	W-8-HDPCI-9500-T
10	3	3-1/4	4500	3/4	N/A	W-10-KDPCI-9500-T
12	3	3-1/4	5000	3/4	N/A	W-12-HDPCI-9500-T

# WHEELS

## HARD & SOFT RUBBER



- Inexpensive, durable, industry mainstay
- Wheels are black
- Non-conductive
- Resistant to most chemicals, oils, grease, cleaning agents, solvents and water
- Temperature rating: -40 to 180 degrees Fahrenheit, intermittent service (120\* continuous service)
- **SOFT RUBBER:**
  - Precision soft rubber molded to a hard rubber core.
  - Provides a smooth, cushioned ride
  - Durometer: 70-80 Shore A
- **HARD RUBBER:**
  - Higher load capacity than soft rubber
  - Easy rolling, minimal effort to start up and push a load
  - Very durable, impact resistant
  - Durometer: 75 Shore D



RUBBER TYPE →					HARD RUBBER		SOFT RUBBER		
WHEEL DIAMETER	TREAD WIDTH	HUB LENGTH	I.D.	WEIGHT CAPACITY	PART # PLAIN BORE	PART # BALL	WEIGHT CAPACITY	PART # PLAIN BORE	PART # BALL
2	7/8	15/16	1/4	100	W-2-HR-3000	N/A	100	W-2-SR-3000	N/A
2	15/16	1	1/4	150	W-2-HR-4000	N/A	100	W-2-SR-4000	N/A
2	1	1-1/8	5/16	160	W-2-HR-3800	N/A	110	W-2-SR-3800	N/A
2-1/2	1-1/8	1-1/4	5/16	140	W-2.5-HR-4000	N/A	120	W-2.5-SR-4000	N/A
3	1	1-3/16	5/16	130	W-3-HR-3600	N/A	110	W-3-SR-3600	N/A
3	1-1/4	1-1/4	5/16	220	W-3-HR-3800	N/A	150	W-3-SR-3800	N/A
3	1-1/4	1-1/2	3/8	250	W-3-HR-5200	W-3-HRB-5200	150	W-3-SR-5200	W-3-SRB-5200
3-1/2	1-1/4	1-1/2	3/8	275	W-3.5-HR-5200	N/A	160	W-3.5-SR-5200	N/A
4	1	1-3/16	5/16	175	W-4-HR-3600	N/A	130	W-4-SR-3600	N/A
4	1-1/4	1-1/2	3/8	275	W-4-HR-5200	W-4-HRB-5200	170	W-4-SR-5200	W-4-SRB-5200
4	1-1/2	1-15/16	3/8	300	W-4-HR-4000	N/A	225	W-4-SR-4000	N/A
5	1	1-3/16	5/16	220	W-5-HR-3600	N/A	150	W-5-SR-3600	N/A
5	1-1/4	1-1/2	3/8	280	W-5-HR-5200	W-5-HRB-5200	200	W-5-SR-5200	W-5-SRB-5200

# WHEELS

## HIGH-TEMPERATURE GLASS FILLED NYLON



- Made from a special blend of nylon & glass designed to withstand high temperatures (USA PRODUCT)
- Excellent for applications demanding high capacities & high heat
- Very durable, capable of taking shock loads
- Resistant to water, oils, grease, gasoline, acids and most commonly used chemicals, solvents and cleaning agents
- Durometer: 85 Shore D
- Temperature rating: -44 degrees Fahrenheit to 425 degrees Fahrenheit INTERMITTENT

WHEEL DIAMETER	TREAD WIDTH	HUB LENGTH	WEIGHT CAPACITY	BEARING/ BUSHING I.D.	PART # ROLLER BEARINGS (ALL STEEL)	PART # STEEL SPANNER BUSHING	PART # BLANK (NO BEARING)	BLANK WHEEL I.D.
3	1-1/2	1-5/8	600	3/8	N/A	W-3-HTGFNO-5200	W-3-HTGFN-5200-5	1/2
4	1-1/2	1-5/8	600	3/8	N/A	W-4-HTGFNO-5200	W-4-HTGFN-5200	1/2
4	1-1/2	1-5/8	600	1/2	W-4-HTGFN-6400-C	N/A	W-4-HTGFN-6400	1-3/16
4	2	2-3/16	600	1/2	W-4-HTGFN-6600-C	W-4-HTGFNO-6600	W-4-HTGFN-6600	1-3/16
5	2	2-3/16	1000	1/2	W-5-HTGFN-6600-C	W-5-HTGFNO-6600	W-5-HTGFN-6600	1-3/16
6	2	2-3/16	1100	1/2	W-5-HTGFN-6600-C	W-6-HTGFNO-6600	W-6-HTGFN-6600	1-3/16
8	2	2-3/16	1200	1/2	W-8-HTGFN-6600-C	W-8-HTGFNO-6600	W-8-HTGFN-6600	1-3/16

## HIGH-TEMPERATURE PHENOLIC



- Made from macerated canvas mixed with phenolic resins, pressure molded & cooked to form a highly versatile wheel (USA PRODUCT)
- Excellent for applications demanding durability and capable of taking shock loads.
- Offers floor protection, is non marking and non-conductive
- Resistant to oils, grease, gasoline and most commonly used chemicals. Wheel is resistant to water but is not recommended for wet applications
- Durometer: 75 - 85 Shore D
- Temperature rating: -50 to +525 intermittently, and +475 continuous (All metal components should be used in applications over 180 degrees)

WHEEL DIAMETER	TREAD WIDTH	HUB LENGTH	WEIGHT CAPACITY	PLAIN BORE NO BEARING	PART # ROLLER BEARINGS (ALL STEEL)	PART # STEEL SPANNER BUSHING	PART # BLANK (NO BEARING)	BLANK WHEEL I.D.
4	1-1/2	1-5/8	600	3/8	N/A	W-4-HTPHNO-5000	W-4-HTPHN-5000	1/2
4	1-1/2	1-5/8	600	1/2	W-4-HTPHN-6400-C	N/A	N/A	1-3/16
4	2	2-3/16	1000	1/2	W-4-HTPHN-6600-C	N/A	W-4-HTPHN-6600	1-3/16
5	2	2-3/16	1000	1/2	W-5-HTPHN-6600-C	N/A	W-5-HTPHN-6600	1-3/16
6	2	2-3/16	1200	1/2	W-6-HTPHN-6600-C	N/A	W-6-HTPHN-6600	1-3/16
8	2	2-3/16	1200	1/2	W-8-HTPHN-6600-C	N/A	W-8-HTPHN-6600	1-3/16

# WHEELS

## PHENOLIC



- Made from macerated canvas mixed with Phenolic resins, pressure molded & cooked to form a highly versatile wheel (USA PRODUCT)
- Excellent for applications demanding durability and capable of taking shock loads
- Offers floor protection, is non marking and non-conductive
- Resistant to oils, grease, gasoline and most commonly used chemicals. Wheel is resistant to water but is not recommended for wet applications
- Durometer: 75 - 85 Shore D
- Temperature rating: -50 to +250 degrees Fahrenheit (All metal components should be used in applications over 180 degrees)

WHEEL DIAMETER	TREAD WIDTH	HUB LENGTH	WEIGHT CAPACITY	BEARING/ BUSHING I.D.	PART # STEEL, DUAL SPANNER WASHER	PART # STEEL BUSHING	BLANK WHEEL 1/2" BORE
3	1-1/4	1-1/4	400	5/16	N/A	W-3-PHNO-3800	W-3-PHN-3800-.5
3	1-1/4	1-3/8	400	3/8	W-3-PHN-5200-DSW	W-3-PHNO-5200	W-3-PHN-3800-.5
3	1-1/2	1-5/8	500	3/8	N/A	W-3-PHNO-5000	W-3-PHN-5000-.5
4	1-1/4	1-5/8	400	3/8	W-4-PHN-5200-DSW	N/A	W-4-PHN-5200-.5
4	1-1/2	1-5/8	600	3/8	N/A	W-3-PHNO-5000	W-3-PHN-5000-.5
5	1-1/4	1-5/8	400	3/8	W-5-PHN-5200-DSW	N/A	W-5-PHN-5200-.5
5	1-1/2	1-5/8	750	3/8	N/A	W-5-PHNO-5000	W-5-PHN-5000-.5

WHEEL DIAMETER	TREAD WIDTH	HUB LENGTH	WEIGHT CAPACITY	BEARING/ BUSHING I.D.	PART # ROLLER BEARINGS	PART # SEALED PRECISION BALLS	PART # DELRIN BEARINGS	PART # DELRIN BEARINGS, 75 W/ STEEL SPANNER	PART # BLANK (NO BEARING)	BLANK WHEEL I.D.
3-1/4	2	2-3/16	700	1/2	W-3.25-PHN-6600-C	W-3.25-PHN-6600-BB	W-3.25-PHN-6600-DB	W-3.25-PHN-6600-DBO	W-3.25-PHN-6600	1-3/16
4	1-1/2	1-5/8	600	3/8	W-4-PHN-5500-C	N/A	N/A	W-4-PHN-5500-DBO	W-4-PHN-6400	1-3/16
4	1-1/2	1-5/8	600	1/2	W-4-PHN-6400-C	N/A	W-4-PHN-6400-DB	W-4-PHN-6400-DBO	W-4-PHN-6400	1-3/16
4	2	2-3/16	800	1/2	W-4-PHN-6600-C	W-4-PHN-6600-BB	W-4-PHN-6600-DB	W-4-PHN-6600-DBO	W-4-PHN-6600	1-3/16
5	1-1/2	1-5/8	600	3/8	W-5-PHN-5500-C	N/A	N/A	W-5-PHN-5500-DBO	W-5-PHN-6400	1-3/16
5	1-1/2	1-5/8	600	1/2	W-5-PHN-6400-C	N/A	W-5-PHN-6400-DB	W-5-PHN-6400-DBO	W-5-PHN-6400	1-3/16
5	2	2-3/16	1000	1/2	W-5-PHN-6600-C	W-5-PHN-6600-BB	W-5-PHN-6600-DB	W-5-PHN-6600-DBO	W-5-PHN-6600	1-3/16
6	1-1/2	1-5/8	800	3/8	W-6-PHN-5500-C	N/A	N/A	W-6-PHN-5500-DBO	W-6-PHN-6400	1-3/16
6	1-1/2	1-5/8	800	1/2	W-6-PHN-6400-C	N/A	W-6-PHN-6400-DB	W-6-PHN-6400-DBO	W-6-PHN-6400	1-3/16
6	2	2-3/16	1200	1/2	W-6-PHN-6600-C	W-6-PHN-6600-BB	W-6-PHN-6600-DB	W-6-PHN-6600-DBO	W-6-PHN-6600	1-3/16
6	2-1/2	2-3/4	1600	1/2	W-6-PHN-6825-C	N/A	W-6-PHN-6825-DB	W-6-PHN-6825-DBO	W-6-PHN-6825	1-3/16
6	2-1/2	2-3/4	1600	3/4	W-6-PHN-9400-C	N/A	N/A	N/A	W-6-PHN-9400	1-15/16
6	2-1/2	2-3/4	1600	1	W-6-PHN-9400-C-1 (NO BUSHING)	N/A	N/A	N/A	W-6-PHN-9400	1-15/16
6	2-1/2	2-3/4	1600	1-1/4	W-6-PHN-9400-C-1.25 (NO BUSHING)	N/A	N/A	N/A	W-6-PHN-9400	1-15/16
6	3	3-1/4	2000	3/4	W-6-PHN-9500-C	W-6-PHN-9500-BB	N/A	N/A	W-6-PHN-9500	1-15/16
6	3	3-1/4	2000	1	W-6-PHN-9500-C-1 (NO BUSHING)	N/A	N/A	N/A	W-6-PHN-9500	1-15/16
6	3	3-1/4	2000	1-1/4	W-6-PHN-9500-C-1.25 (NO BUSHING)	N/A	N/A	N/A	W-6-PHN-9500	1-15/16
8	2	2-3/16	1400	1/2	W-8-PHN-6600-C	W-8-PHN-6600-BB	W-8-PHN-6600-DB	W-8-PHN-6600-DBO	W-8-PHN-6600	1-3/16
8	2-1/2	2-3/4	2000	1/2	W-8-PHN-6825-C	N/A	W-8-PHN-6825-DB	W-8-PHN-6825-DBO	W-8-PHN-6825	1-3/16
8	2-1/2	2-3/4	2000	3/4	W-8-PHN-9400-C	N/A	N/A	N/A	W-8-PHN-9400	1-15/16
8	2-1/2	2-3/4	2000	1	W-8-PHN-9400-C-1 (NO BUSHING)	N/A	N/A	N/A	W-8-PHN-9400	1-15/16
8	2-1/2	2-3/4	2000	1-1/4	W-8-PHN-9400-C-1.25 (NO BUSHING)	N/A	N/A	N/A	W-8-PHN-9400	1-15/16
8	3	3-1/4	2500	3/4	W-8-PHN-9500-C	W-8-PHN-9500-BB	N/A	N/A	W-8-PHN-9500	1-15/16
8	3	3-1/4	2500	1	W-8-PHN-9500-C-1 (NO BUSHING)	N/A	N/A	N/A	W-8-PHN-9500	1-15/16
8	3	3-1/4	2500	1-1/4	W-8-PHN-9500-C-1.25 (NO BUSHING)	N/A	N/A	N/A	W-8-PHN-9500	1-15/16

\* TO ORDER 3/4 DELRIN BEARING WITH DELRIN BUSHING INSTEAD OF STEEL CHANGE PART # FROM-DBO TO DBD, TO ORDER WITH STAINLESS STEEL BUSHING CHANGE TO -DBS.

# WHEELS

## PHENOLIC (continued)

WHEEL DIAMETER	TREAD WIDTH	HUB LENGTH	WEIGHT CAPACITY	BEARING/ BUSHING I.D.	PART # ROLLER BEARINGS	PART # DELRIN BEARINGS	PART # DELRIN BEARINGS, 75 W/ STEEL SPANNER	PART # BLANK (NO BEARING)	BLANK WHEEL I.D.
10	2-1/2	2-3/4	2500	3/4	W-10-PHN-9400-C	N/A	N/A	W-10-PHN-9400	1-15/16
10	2-1/2	2-3/4	2500	1	W-10-PHN-9400-C-1 (NO BUSHING)	N/A	N/A	W-10-PHN-9400	1-15/16
10	2-1/2	2-3/4	2500	1-1/4	W-10-PHN-9400-C-1.25 (NO BUSHING)	N/A	N/A	W-10-PHN-9400	1-15/16
10	3	3-1/4	2900	3/4	W-10-PHN-9500-C	N/A	N/A	W-10-PHN-9500	1-15/16
10	3	3-1/4	2900	1	W-10-PHN-9500-C-1 (NO BUSHING)	N/A	N/A	W-10-PHN-9500	1-15/16
10	3	3-1/4	2900	1-1/4	W-10-PHN-9500-C-1.25 (NO BUSHING)	N/A	N/A	W-10-PHN-9500	1-15/16
12	2-1/2	2-3/4	3000	3/4	W-12-PHN-9400-C	N/A	N/A	W-12-PHN-9400	1-15/16
12	2-1/2	2-3/4	3000	1	W-12-PHN-9400-C-1 (NO BUSHING)	N/A	N/A	W-12-PHN-9400	1-15/16
12	2-1/2	2-3/4	3000	1-1/4	W-12-PHN-9400-C-1.25 (NO BUSHING)	N/A	N/A	W-12-PHN-9400	1-15/16
12	3	3-1/4	3500	3/4	W-12-PHN-9500-C	N/A	N/A	W-12-PHN-9500	1-15/16
12	3	3-1/4	3500	1	W-12-PHN-9500-C-1 (NO BUSHING)	N/A	N/A	W-12-PHN-9500	1-15/16
12	3	3-1/4	3500	1-1/4	W-12-PHN-9500-C-1.25 (NO BUSHING))	N/A	N/A	W-12-PHN-9500	1-15/16

# LAMINATED PHENOLIC

LAMINATED PHENOLIC WHEELS HAVE THE SAME BASIC SPECIFICATIONS AS THE STANDARD PHENOLIC WHEELS WITH THE EXCEPTION OF WEIGHT CAPACITY. WEIGHT CAPACITIES OF LAMINATED PHENOLIC WHEELS ARE 25% GREATER THAN STANDARD PHENOLIC WHEELS.

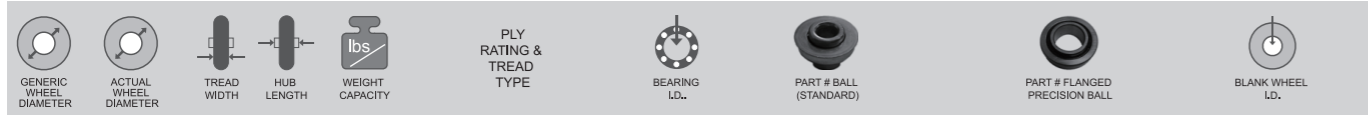
TO ORDER LAMINATED PHENOLIC WHEELS, CHANGE THE WHEEL TYPE DESIGNATOR OF THE STANDARD PHENOLIC FROM -PHN TO -LPN (EXAMPLE: W-12-LPN-9500).

# WHEELS

## PNEUMATIC



- For use in non-motorized applications only
- Tires made from high quality rubber with inflatable tube. Mounted to a durable 2 piece bolt together steel hub assembly.
- Standard color is black
- Hub assembly comes standard with zinc plating. Please inquire about other colors and finishes.
- Applications: Carts, platform trucks for industrial, commercial and institutional environments demanding a cushioned ride. Carrying sensitive materials, chemicals, electronics, ceramics, glass, sound and lighting equipment. Great for use on equipment that may need to traverse different terrains, such as: generators, compressors, pressure washers, sprayers, snow-blowers, heaters & fans, vacuums, wheelbarrows, fertilizer spreaders, wagons, lawn & garden equipment, etc.



### TIRE COLOR & HUB TYPE

GENERIC WHEEL DIAMETER	ACTUAL WHEEL DIAMETER	TREAD WIDTH	HUB LENGTH	WEIGHT CAPACITY	PLY RATING & TREAD TYPE	BEARING I.D.	PART # BALL (STANDARD)	PART # FLANGED PRECISION BALL	BLANK WHEEL I.D.
6	6"	2	2-1/2	*275	4-PLY SAWTOOTH U.S. STANDARD	1/2	P-W6-CH-B-1/2	P-W6-CH-B-PB-1/2	N/A
						5/8	N/A	N/A	
						3/4	N/A	N/A	
8	8.75" (280/250-4)	2-1/4	3	*300		1/2	P-W9-CH-B-1/2	P-W9-CH-B-PB-1/2	
						5/8	P-W9-CH-B-5/8	P-W9-CH-B-PB-5/8	
						3/4	P-W9-CH-B-3/4	P-W9-CH-B-PB-3/4	
10	10" (410/350-4)	3-1/2	4	*350		1/2	P-W10-CH-B-1/2	P-W10-CH-B-PB-1/2	
						5/8	P-W10-CH-B-5/8	P-W10-CH-B-PB-5/8	
						3/4	P-W10-CH-B-3/4	P-W10-CH-B-PB-3/4	
12	12.5" (410/350-6)	3-1/2	4-1/4	*450		1/2	P-W12-CH-B-1/2	P-W12-CH-B-PB-1/2	
						5/8	P-W12-CH-B-5/8	P-W12-CH-B-PB-5/8	
						3/4	P-W12-CH-B-3/4	P-W12-CH-B-PB-3/4	

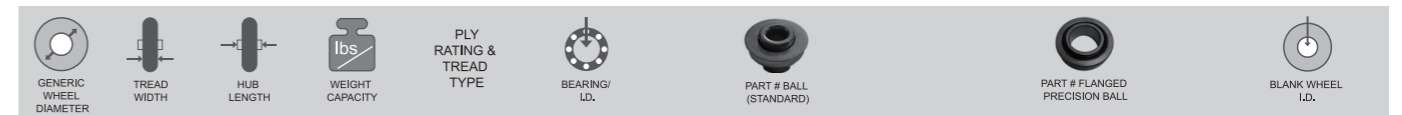
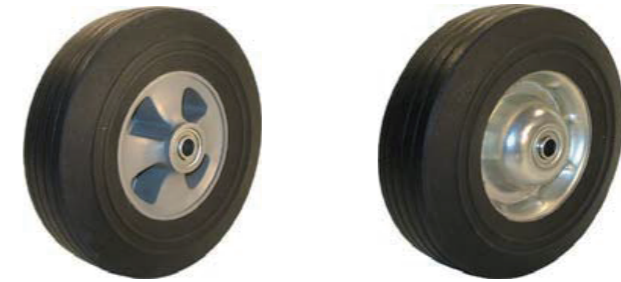
\*Note: Wheel diameter and rollability may vary according to the PSI in the tire and the load it's carrying.

# WHEELS

## OFFSET HUB TYPE

GENERIC WHEEL DIAMETER	ACTUAL WHEEL DIAMETER	TREAD WIDTH	HUB LENGTH	WEIGHT CAPACITY	PLY RATING & TREAD TYPE	BEARING I.D.	PART # BALL (STANDARD)	PART # FLANGED PRECISION BALL	BLANK WHEEL I.D.
8	8.75"	2-1/2	2-1/4	*300	4-PLY SAWTOOTH U.S. STANDARD	1/2	P-W9-OH-B-1/2	P-W9-OH-B-PB-1/2	1-3/8
						5/8	P-W9-OH-B-5/8	P-W9-OH-B-PB-5/8	
						3/4	P-W9-OH-B-3/4	P-W9-OH-B-PB-3/4	
10	10.5"	3-1/2	2-1/4	350		1/2	P-W10-OH-B-1/2	P-W10-OH-B-PB-1/2	
						5/8	P-W10-OH-B-5/8	P-W10-OH-B-PB-5/8	
						3/4	P-W10-OH-B-3/4	P-W10-OH-B-PB-3/4	
12	12.5"	3-1/2	3-1/4	450		1/2	P-W12-OH-B-1/2	P-W12-OH-B-PB-1/2	
						5/8	P-W12-OH-B-5/8	P-W12-OH-B-PB-5/8	
						3/4	P-W12-OH-B-3/4	P-W12-OH-B-PB-3/4	

## SEMI - PNEUMATIC W/OFFSET HUB



GENERIC WHEEL DIAMETER	TREAD WIDTH	HUB LENGTH	WEIGHT CAPACITY	PLY RATING & TREAD TYPE	BEARING I.D.	PART # BALL (STANDARD)	PART # FLANGED PRECISION BALL	BLANK WHEEL I.D.
10	2-3/4*	2-1/4 Offset	300	Standard	1/2	P-W10-OH-SPNU-1/2 (Polyolefin Rim)	P-W10-OH-SPNU-PB-1/2 (Polyolefin Rim)	
10	2-3/4*	2-1/4 Offset	300	Standard	5/8	P-W10-OH-SPNU-5/8 (Polyolefin Rim)	P-W10-OH-SPNU-PB-5/8 (Polyolefin Rim)	
10	2-3/4*	2-1/4 Offset	300	Standard	3/4	P-W10-OH-SPNU-3/4 Polyolefin Rim)	P-W10-OH-SPNU-PB-3/4 (Polyolefin Rim)	1-3/8
10	2-3/4*	2-1/4 Offset	300	Standard	1/2	P-W10-OHM-SPNU-1/2 (Metal Rim)	P-W10-OHM-SPNU-PB-1/2 (Metal Rim)	
10	2-3/4*	2-1/4 Offset	300	Standard	5/8	P-W10-OHM-SPNU-5/8 (Metal Rim)	P-W10-OHM-SPNU-PB-5/8 (Metal Rim)	
10	2-3/4*	2-1/4 Offset	300	Standard	3/4	P-W10-OHM-SPNU-3/4 (Metal Rim)	P-W10-OHM-SPNU-PB-3/4	

\* Industry standard lists 2-3/4" tread width but the actual section width is 2-1/2" and tread is 2".

# WHEELS



5X2 RPAL wheel

## Poly on Aluminum Round Tread with Precision 6204 Bearings

- Custom colors available
- Mechanically and chemically bonded to core
- Perfect for towing over uneven floors and debris
- Maximum rollability for easy start up and turning
- Maintenance free, non-marking, debris rejecting tread
- Rust resistant aluminum for high moisture environments
- Food service, factory, automotive, material handling, entertainment

PART #	WHEEL DIAMETER	TREAD WIDTH	6204 BEARING ID	HUB LENGTH	LOAD CAPACITY
W-4-RPAL-6204-C	4"	2"	1/2"	2-3/16"	900 LBS
W-5-RPAL-6204-C	5"	2"	1/2"	2-3/16"	900 LBS
W-6-RPAL-6204-C	6"	2"	1/2"	2-3/16"	1000 LBS
W-8-RPAL-6204-C	8"	2"	1/2"	2-3/16"	1200 LBS



6204 vs. 6203 bearing

### Upgraded 6204 bearing outperforms:

- Longer Lasting
- Higher load rating
- Quiet operation

# WHEELS



## BLACK POLYOLEFIN

- Made from high quality polyolefin
- Economical hard durometer wheel, excellent for applications demanding durability, capable of taking extreme shock loads
- Light weight, high capacity
- Offers floor protection, is non marking and non-conductive
- Resistant to water, oils, grease, gasoline and most commonly used chemicals
- Durometer: 60-70 Shore D
- Temperature rating: -45 to +180 degrees Fahrenheit

GENERIC WHEEL DIAMETER	TREAD WIDTH	HUB LENGTH	WEIGHT CAPACITY	BEARING/ BUSHING LD.	PART # BALL (STANDARD)	PART# STEEL BUSHING	BLANK WHEEL BORE
2	15/16	1	150	1/4	N/A	N/A	W-2-LDP-4000
2	1	1-1/8	160	5/16	N/A	N/A	W-2-HDP-3800
2	1-3/4	1-13/16	260	5/16	N/A	N/A	W-2-HDP-3300
2-1/2	1-1/8	1-1/4	200	5/16	N/A	N/A	W-2.5-HDP-4000
3	1	1-3/16	175	5/16	N/A	N/A	W-3-LDP-3600
3	1-1/4	1-1/4	250	5/16	N/A	N/A	W-3-LDP-3800
3	1-1/4	1-1/2	250	3/8	N/A	N/A	W-3-LDP-5200
3	1-1/4	1-1/2	250	1/2	N/A	N/A	W-3-HDP-4000.5
3	1-3/8	1-1/2	300	3/8	W-3-HDPB-5200	N/A	W-3-HDP-5200
3-1/2	1-1/4	1-1/2	300	3/8	N/A	N/A	W-3.5-HDP-5200
4	1	1-3/16	220	5/16	N/A	W-4-HDPO-3600	N/A
4	1-1/4	1-1/2	300	3/8	N/A	N/A	W-4-HDP-5200
4	1-1/4	1-1/2	300	1/2	N/A	N/A	W-4-HDP-5000.5
4	1-5/8	1-15/16	500	3/8	N/A	W-4-XDPO-5500	N/A
4	1-5/8	1.92	500	1/2	N/A	N/A	W-4-XDP-5500.5
5	1	1-3/16	230	5/16	N/A	W-5-HDPO-3600	N/A
5	1-1/4	1-1/2	325	3/8	N/A	N/A	W-5-HDP-5200
5	1-5/8	1-15/16	500	3/8	N/A	W-5-XDPO-5500	N/A
5	1-5/8	1.92	500	1/2	N/A	N/A	W-5-XDP-5500.5

WHEEL DIAMETER	TREAD WIDTH	HUB LENGTH	WEIGHT CAPACITY	BEARING/ BUSHING LD.	PART # ROLLER BEARINGS	PART# STEEL BUSHING	PART# SEALED PRECISION BALL	PART# DELRIN BEARINGS	PART# DELRIN BEARINGS 25 W/ TITEL SPINNER	PART # BLANK (NO BEARING)	BLANK WHEEL LD.
3	1-13/16	2	700	3/8	W-3-XDP-5600-C	W-3-XDPO-5600	N/A	N/A	N/A	W-3-XDP-6600-5/8	5/8
3	1-13/16	2	700	1/2	N/A	N/A	N/A	W-3-XDP-6600-DB	N/A	W-3-XDP-6600	1-3/16
3	1-13/16	2	700	5/8	W-3-XDP-6600-C5/8 (NO BUSHING)	N/A	N/A	N/A	N/A	W-3-XDP-6600	1-3/16
4	1-1/2	1-5/8	500	3/8	W-4-XDP-5500-C	N/A	N/A	N/A	W-4-XDP-5500-DBO	W-4-XDP-6400	1-3/16
4	1-1/2	1-5/8	500	1/2	W-4-XDP-6400-C	N/A	N/A	W-4-XDP-6400-DB	W-4-XDP-6400-DBO	W-4-XDP-6400	1-3/16
4	2	2-3/16	700	1/2	W-4-XDP-6600-C	N/A	W-4-XDP-6600-BB	W-4-XDP-6600-DB	W-4-XDP-6600-DBO	W-4-XDP-6600	1-3/16
5	1-1/2	1-5/8	550	3/8	W-5-XDP-5500-C	N/A	N/A	N/A	W-5-XDP-5500-DBO	W-5-XDP-6400	1-3/16
5	1-1/2	1-5/8	550	1/2	W-5-XDP-6400-C	N/A	N/A	W-5-XDP-6400-DB	W-5-XDP-6400-DBO	W-5-XDP-6400	1-3/16
5	2	2-3/16	900	1/2	W-5-XDP-6600-C	N/A	W-5-XDP-6600-BB	W-5-XDP-6600-DB	W-5-XDP-6600-DBO	W-5-XDP-6600	1-3/16
6	1-1/2	1-5/8	600	3/8	W-6-XDP-5500-C	N/A	N/A	N/A	W-6-XDP-5500-DBO	W-6-XDP-6400	1-3/16
6	1-1/2	1-5/8	600	1/2	W-6-XDP-6400-C	N/A	N/A	W-6-XDP-6400-DB	W-6-XDP-6400-DBO	W-6-XDP-6400	1-3/16
6	2	2-3/16	700	1/2	N/A	N/A	N/A	N/A	N/A	W-6-HDP-6600-PB	1/2
6	2	2-3/16	1200	1/2	N/A	W-6-XDPO-6600	N/A	N/A	N/A	W-6-XDP-6600-PB	1/2
6	2	2-3/16	1200	3/4	N/A	N/A	N/A	N/A	N/A	W-6-XDP-6600-3/4	3/4
6	2	2-3/16	1300	1/2	W-6-XDP-6600-C	N/A	W-6-XDP-6600-BB	W-6-XDP-6600-DB	W-6-XDP-6600-DBO	W-6-XDP-6600	1-3/16
8	2	2-3/16	1400	1/2	W-8-XDP-6600-C	N/A	W-8-XDP-6600-BB	W-8-XDP-6600-DB	W-8-XDP-6600-DBO	W-8-XDP-6600	1-3/16



# WHEELS

## WHITE POLYOLEFIN



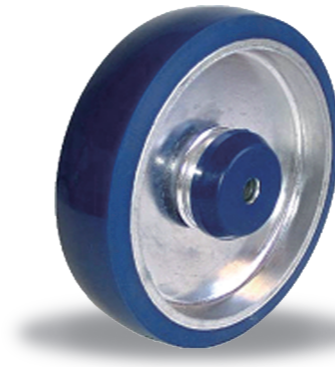
- Made from high quality polyolefin
- Economical hard durometer wheel, excellent for applications demanding durability, capable of taking extreme shock loads
- Light weight, high capacity
- Offers floor protection, is non marking and non-conductive
- Resistant to water, oils, grease, gasoline and most commonly used chemicals
- Durometer: 60-70 Shore D
- Temperature rating: -45 to +180 degrees Fahrenheit
- GREAT FOR FOOD SERVICE AND CLEAN ROOMS

GENERIC WHEEL DIAMETER	TREAD WIDTH	HUB LENGTH	WEIGHT CAPACITY	BEARING/ BUSHING I.D.	PART # BALL (STANDARD)	PART# STEEL BUSHING	BLANK WHEEL BORE
2	13/16	15/16	100	1/4	N/A	N/A	W-2-LDPW-3000
2	1	1	150	1/4	N/A	N/A	W-2-LDPW-4000
2	15/16	1-1/8	160	5/16	N/A	N/A	W-2-HDPW-3800
2	1-3/4	1-13/16	260	5/16	N/A	N/A	W-2-HDPW-3300
2-1/2	1-1/8	1-1/4	200	5/16	N/A	N/A	W-2.5-HDPW-4000
3	1	1-3/16	175	5/16	N/A	N/A	W-3-LDPW-3600
3	1-1/4	1-1/4	250	5/16	N/A	N/A	W-3-LDPW-3800
3	1-1/4	1-1/2	250	3/8	N/A	N/A	W-3-LDPW-5200
3	1-1/4	1-1/2	250	1/2	N/A	N/A	W-3-HDPW-4000.5
3	1-3/8	1-1/2	300	3/8	W-3-HDPB-5200	N/A	W-3-HDPW-5200
3-1/2	1-1/4	1-1/2	300	3/8	N/A	N/A	W-3.5-HDPW-5200
4	1	1-3/16	220	5/16	N/A	W-4-HDPO-3600	N/A
4	1-1/4	1-1/2	300	3/8	N/A	N/A	W-4-HDPW-5200
4	1-1/4	1-1/2	300	1/2	N/A	N/A	W-4-HDPW-5000.5
4	1-5/8	1-15/16	500	3/8	N/A	W-4-XDPO-5500	N/A
4	1-5/8	1.92	500	1/2	N/A	N/A	W-4-XDPW-5500.5
5	1	1-3/16	230	5/16	N/A	W-5-HDPO-3600	N/A
5	1-1/4	1-1/2	325	3/8	N/A	W-5-HDPO-5200	W-5-HDPW-5200
5	1-5/8	1-15/16	500	3/8	N/A	W-5-XDPO-5500	N/A
5	1-5/8	1.92	500	1/2	N/A	N/A	W-5-XDPW-5500.5

WHEEL DIAMETER	TREAD WIDTH	HUB LENGTH	WEIGHT CAPACITY	BEARING/ BUSHING I.D.	PART # ROLLER BEARINGS	PART # RESEALED PRECISION BALL	PART# DELRIN BEARINGS	PART# DELRIN BEARINGS 25 W/ STEEL SPANNER	PART # BLANK (NO BEARING)	BLANK WHEEL I.D.
3	1-13/16	2	700	3/8	W-3-XDP-5600-C	N/A	N/A	N/A	W-3-XDPW-6600-5/8	5/8
3	1-13/16	2	700	1/2	N/A	N/A	W-3-XDP-6600-DB	N/A	W-3-XDPW-6600	1-3/16
3	1-13/16	2	700	5/8	W-3-XDP-6600-C-5/8	N/A	N/A	N/A	W-3-XDPW-6600	1-3/16
(NO BUSHING)										
4	1-1/2	1-5/8	500	3/8	W-4-XDP-5500-C	N/A	N/A	W-4-XDP-5500-DBO	W-4-XDPW-6400	1-3/16
4	1-1/2	1-5/8	500	1/2	W-4-XDP-6400-C	N/A	W-4-XDP-6400-DB	W-4-XDP-6400-DBO	W-4-XDPW-6400	1-3/16
4	2	2-3/16	700	1/2	W-4-XDP-6600-C	W-4-XDP-6600-BB	W-4-XDP-6600-DB	W-4-XDP-6600-DBO	W-4-XDPW-6600	1-3/16
5	1-1/2	1-5/8	550	3/8	W-5-XDP-5500-C	N/A	N/A	W-5-XDP-5500-DBO	W-5-XDPW-6400	1-3/16
5	1-1/2	1-5/8	550	1/2	W-5-XDP-6400-C	N/A	W-5-XDP-6400-DB	W-5-XDP-6400-DBO	W-5-XDPW-6400	1-3/16
5	2	2-3/16	900	1/2	W-5-XDP-6600-C	W-5-XDP-6600-BB	W-5-XDP-6600-DB	W-5-XDP-6600-DBO	W-5-XDPW-6600	1-3/16
6	1-1/2	1-5/8	600	3/8	W-6-XDP-5500-C	N/A	N/A	W-6-XDP-5500-DBO	W-6-XDPW-6400	1-3/16
6	1-1/2	1-5/8	600	1/2	W-6-XDP-6400-C	N/A	W-6-XDP-6400-DB	W-6-XDP-6400-DBO	W-6-XDPW-6400	1-3/16
6	2	2-3/16	700	1/2	N/A	N/A	N/A	N/A	W-6-HDPW-6600-PB	1/2
6	2	2-3/16	1200	1/2	N/A	N/A	N/A	N/A	W-6-XDPW-6600-PB	1/2
6	2	2-3/16	1200	3/4	N/A	N/A	N/A	N/A	W-6-XDPW-6600-3/4	3/4
6	2	2-3/16	1300	1/2	W-6-XDP-6600-C	W-6-XDP-6600-BB	W-6-XDP-6600-DB	W-6-XDP-6600-DBO	W-6-XDPW-6600	1-3/16
8	2	2-3/16	1400	1/2	W-8-XDP-6600-C	W-8-XDP-6600-BB	W-8-XDP-6600-DB	W-8-XDP-6600-DBO	W-8-XDPW-6600	1-3/16

# WHEELS

## POLYURETHANE ON ALUMINUM



- Precision molded high quality polyurethane chemically bonded to a smooth, aluminum core, provides a very versatile, strong and attractive wheel
- The combination of a slightly crowned tread and high quality ball bearings provide exceptionally low effort to start up and push a load. Great for ergonomic applications
- Great wheel for foodservice and institutional applications, meets NSF & UL sanitation standards
- Resistant to most chemicals, oils, grease, cleaning agents, solvents and water
- Offers floor protection, is non-marking and non-conductive
- Standard polyurethane color is blue.
- Durometer: 95 Shore A
- Temperature rating: -40 to 180 degrees Fahrenheit

### Picture shown with optional bearing covers

(matches tread color, Blue), to order wheel with bearing covers put a -BC at the end of the wheel part # Example: W-5-PAL-5200-BC. Or order bearing covers per piece (2 needed per wheel) #BC-PAL

WHEEL DIAMETER	TREAD WIDTH	HUB LENGTH	WEIGHT CAPACITY	BEARING/ BUSHING I.D.	PART # ROLLER BEARINGS	PART # RESEALED PRECISION BALL	PART # BALL	PART# DELRIN BEARINGS	PART# DELRIN BEARINGS 25 W/ STEEL SPANNER	PART # BLANK (NO BEARING)	BLANK WHEEL I.D.
<b>BLUE POLYURETHANE ON ALUMINUM</b>											
3	1-1/4	1-5/8	380	3/8	N/A	N/A	W-3-PAL-5200	N/A	N/A	N/A	N/A
3-1/2	1-1/4	1-5/8	400	3/8	N/A	N/A	W-3.5-PAL-5200	N/A	N/A	N/A	N/A
4	1-1/4	1-5/8	420	3/8	N/A	N/A	W-4-PAL-5200	N/A	N/A	N/A	N/A
4	2	2-3/16	800	1/2	W-4-PAL-6600-C	W-4-PAL-6600-BB	N/A	W-4-PAL-6600-DB	W-4-PAL-6600-DBO	W-4-PAL-6600	1-3/16
5	1-1/4	1-5/8	440	3/8	N/A	N/A	W-5-PAL-5200	N/A	N/A	N/A	N/A
5	2	2-3/16	1200	1/2	W-5-PAL-6600-C	W-5-PAL-6600-BB	N/A	W-5-PAL-6600-DB	W-5-PAL-6600-DBO	W-5-PAL-6600	1-3/16
6	2	2-3/16	1250	1/2	W-6-PAL-6600-C	W-6-PAL-6600-BB	N/A	W-6-PAL-6600-DB	W-6-PAL-6600-DBO	W-6-PAL-6600	1-3/16
8	2	2-3/16	1500	1/2	W-8-PAL-6600-C	W-8-PAL-6600-BB	N/A	W-8-PAL-6600-DB	W-8-PAL-6600-DBO	W-8-PAL-6600	1-3/16

\* TO ORDER 3/4 DELRIN BEARING WITH DELRIN BUSHING INSTEAD OF STEEL CHANGE PART # FROM-DBO TO DBD, TO ORDER WITH STAINLESS STEEL BUSHING CHANGE TO -DBS.



# WHEELS



## Foam Pneumatic (Air Free)

- Up to 300 lb capacity
- No flat tire repairs
- No hassle of air pressure maintenance
- Polyurethane foam construction
- Maintenance free, non-marking, and quiet
- Rolls over obstacles with ease
- Offers floor protection and a smooth ride

PART #	WHEEL DIAMETER	TREAD WIDTH	BEARING ID	HUB LENGTH	LOAD CAPACITY
P-W6-CH-B-1/2-PU FOAM (centered hub)	6	2	1/2	2-1/2	150
P-W8-CH-B-1/2-PU FOAM (centered hub)	9	2-3/4	1/2	3-1/8	250
P-W10-CH-B-1/2-FOAM (centered hub)	10	3	1/2	4	280
P-W10-OH-B-FOAM-5/8 (off-set hub 3-piece)	10	3	5/8	2-1/4	280



# WHEELS

## POLYURETHANE ON CAST IRON



- High quality polyurethane chemically bonded to a painted cast iron core
- Offers floor protection, is non marking and delivers somewhat of a cushioned and quieter ride than a standard hard tread or steel wheel
- Resistant to most chemicals, oils, acids, grease and water
- Standard color is green on silver, however other colors are available, please inquire
- Durometer: 95 Shore A
- Temperature rating: -40 to 180 degrees Fahrenheit

WHEEL DIAMETER	TREAD WIDTH	HUB LENGTH	WEIGHT CAPACITY	BEARING BUSHING I.D.	PART # ROLLER BEARINGS	PART # SEALED PRECISION BALLS	PART # DELRIN BEARINGS	PART # DELRIN BEARINGS 75 W/ STEEL SPANNER	PART # BLANK (NO BEARING)	BLANK WHEEL I.D.
4	1-1/2	1-5/8	500	3/8	W-4-PCI-5500-C	N/A	N/A	W-4-PCI-5500-DBO	W-4-PCI-6400	1-3/16
4	1-1/2	1-5/8	600	1/2	W-4-PCI-6400-C	N/A	W-4-PCI-6400-DB	W-4-PCI-6400-DBO	W-4-PCI-6400	1-3/16
4	2	2-3/16	800	1/2	W-4-PCI-6600-C	W-4-PCI-6600-BB	W-4-PCI-6600-DB	W-4-PCI-6600-DBO	W-4-PCI-6600	1-3/16
5	1-1/2	1-5/8	500	3/8	W-5-PCI-5500-C	N/A	N/A	W-5-PCI-5500-DBO	W-5-PCI-6400	1-3/16
5	1-1/2	1-5/8	750	1/2	W-5-PCI-6400-C	N/A	W-5-PCI-6400-DB	W-5-PCI-6400-DBO	W-5-PCI-6400	1-3/16
5	2	2-3/16	1200	1/2	W-5-PCI-6600-C	W-5-PCI-6600-BB	W-5-PCI-6600-DB	W-5-PCI-6600-DBO	W-5-PCI-6600	1-3/16
6	1-1/2	1-5/8	500	3/8	W-6-PCI-5500-C	N/A	N/A	W-6-PCI-5500-DBO	W-6-PCI-6400	1-3/16
6	1-1/2	1-5/8	750	1/2	W-6-PCI-6400-C	N/A	W-6-PCI-6400-DB	W-6-PCI-6400-DBO	W-6-PCI-6400	1-3/16
6	2	2-3/16	1250	1/2	W-6-PCI-6600-C	W-6-PCI-6600-BB	W-6-PCI-6600-DB	W-6-PCI-6600-DBO	W-6-PCI-6600	1-3/16
6	2-1/2	2-3/4	1500	1/2	W-6-PCI-6825-C	N/A	W-6-PCI-6825-DB	W-6-PCI-6825-DBO	W-6-PCI-6825	1-3/16
6	2-1/2	2-3/4	1600	3/4	W-6-PCI-9400-C	N/A	N/A	N/A	W-6-PCI-9400	1-15/16
6	2-1/2	2-3/4	1600	1	W-6-PCI-9400-C-1 (NO BUSHING)	N/A	N/A	N/A	W-6-PCI-9400	1-15/16
6	2-1/2	2-3/4	1600	1-1/4	W-6-PCI-9400-C-1.25 (NO BUSHING)	N/A	N/A	N/A	W-6-PCI-9400	1-15/16
6	3	3-1/4	2000	3/4	W-6-PCI-9500-C	N/A	N/A	N/A	W-6-PCI-9500	1-15/16
6	3	3-1/4	2000	1	W-6-PCI-9500-C-1 (NO BUSHING)	N/A	N/A	N/A	W-6-PCI-9500	1-15/16
6	3	3-1/4	2000	1-1/4	W-6-PCI-9500-C-1.25 (NO BUSHING)	N/A	N/A	N/A	W-6-PCI-9500	1-15/16
8	2	2-3/16	1500	1/2	W-8-PCI-6600-C	W-8-PCI-6600-BB	W-8-PCI-6600-DB	W-8-PCI-6600-DBO	W-8-PCI-6600	1-3/16
8	2-1/2	2-3/4	1500	1/2	W-8-PCI-6825-C	N/A	W-8-PCI-6825-DB	W-8-PCI-6825-DBO	W-8-PCI-6825	1-3/16
8	2-1/2	2-3/4	2000	3/4	W-8-PCI-9400-C	N/A	N/A	N/A	W-8-PCI-9400	1-15/16
8	2-1/2	2-3/4	2000	1	W-8-PCI-9400-C-1 (NO BUSHING)	N/A	N/A	N/A	W-8-PCI-9400	1-15/16
8	2-1/2	2-3/4	2000	1-1/4	W-8-PCI-9400-C-1.25 (NO BUSHING)	N/A	N/A	N/A	W-8-PCI-9400	1-15/16
8	3	3-1/4	2500	3/4	W-8-PCI-9500-C	N/A	N/A	N/A	W-8-PCI-9500	1-15/16
8	3	3-1/4	2500	1	W-8-PCI-9500-C-1 (NO BUSHING)	N/A	N/A	N/A	W-8-PCI-9500	1-15/16
8	3	3-1/4	2500	1-1/4	W-8-PCI-9500-C-1.25 (NO BUSHING)	N/A	N/A	N/A	W-8-PCI-9500	1-15/16
10	2-1/2	2-3/4	2100	3/4	W-10-PCI-9400-C	N/A	N/A	N/A	W-10-PCI-9400	1-15/16
10	2-1/2	2-3/4	2100	1	W-10-PCI-9400-C-1 (NO BUSHING)	N/A	N/A	N/A	W-10-PCI-9400	1-15/16
10	2-1/2	2-3/4	2100	1-1/4	W-10-PCI-9400-C-1.25 (NO BUSHING)	N/A	N/A	N/A	W-10-PCI-9400	1-15/16
10	3	3-1/4	3000	3/4	W-10-PCI-9500-C	N/A	N/A	N/A	W-10-PCI-9500	1-15/16
10	3	3-1/4	3000	1	W-10-PCI-9500-C-1 (NO BUSHING)	N/A	N/A	N/A	W-10-PCI-9500	1-15/16
10	3	3-1/4	3000	1-1/4	W-10-PCI-9500-C-1.25 (NO BUSHING)	N/A	N/A	N/A	W-10-PCI-9500	1-15/16
12	2-1/2	2-3/4	2200	3/4	W-12-PCI-9400-C	N/A	N/A	N/A	W-12-PCI-9400	1-15/16
12	2-1/2	2-3/4	2200	1	W-12-PCI-9400-C-1 (NO BUSHING)	N/A	N/A	N/A	W-12-PCI-9400	1-15/16
12	2-1/2	2-3/4	2200	1-1/4	W-12-PCI-9400-C-1.25 (NO BUSHING)	N/A	N/A	N/A	W-12-PCI-9400	1-15/16
12	3	3-1/4	3500	3/4	W-12-PCI-9500-C	N/A	N/A	N/A	W-12-PCI-9500	1-15/16
12	3	3-1/4	3500	1	W-12-PCI-9500-C-1 (NO BUSHING)	N/A	N/A	N/A	W-12-PCI-9500	1-15/16
12	3	3-1/4	3500	1-1/4	W-12-PCI-9500-C-1.25 (NO BUSHING)	N/A	N/A	N/A	W-12-PCI-9500	1-15/16

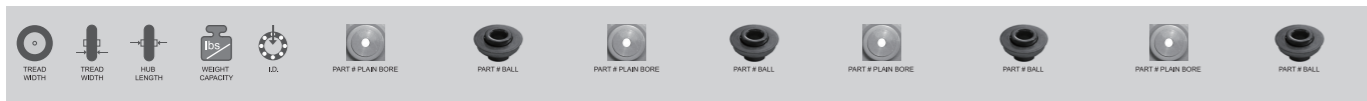
\* TO ORDER 3/4 DELRIN BEARING WITH DELRIN BUSHING INSTEAD OF STEEL CHANGE PART # FROM-DBO TO DBD, TO ORDER WITH STAINLESS STEEL BUSHING CHANGE TO -DBS.

# WHEELS

## POLYURETHANE ON POLYOLEFIN



- Precision molded high quality polyurethane mechanically locked to a durable polyolefin core, provides a very versatile, strong and attractive wheel
- Resistant to most chemicals, oils, grease, cleaning agents, solvents and water
- Offers floor protection, is non marking and non-conductive
- 4 color combinations available
- Plain bore option provides an economical alternative to balls and has the same advantages as delrin bearings with added durability and are less expensive. Great for use in sanitary & wet applications. Provides sufficient rollability for most jobs \* Several small sizes come standard with a spanner bushing providing stability to the yoke
- Ball option provides greater roll-ability and less effort to push a load.
- Bearing covers available
- Durometer: 95 Shore A
- Temperature rating: -40 to 180 degrees Fahrenheit

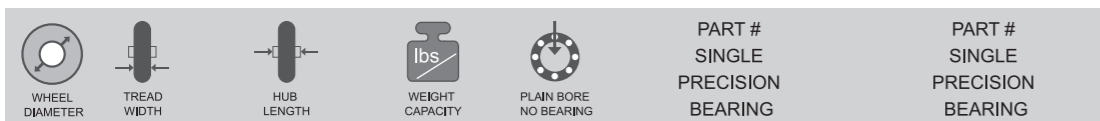


COLOR →					GRAY ON BEIGE		BLUE ON GRAY		RED ON GRAY		BLACK ON BEIGE	
2	15/16	1	110	1/4	W-2-PPPG-4000	N/A	W-2-PPPL-4000	N/A	W-2-PPPR-4000	N/A	W-2-PPPK-4000	N/A
2-1/2	1-1/8	1-13/32	160	5/16	W-2.5-PPOG-3800*	N/A	W-2.5-PPOL-3800*	N/A	W-2.5-PPOR-3800*	N/A	W-2.5-PPOK-3800*	N/A
3	1	1-3/16	175	5/16	W-3-PPPG-3600	N/A	W-3-PPPL-3600	N/A	W-3-PPPR-3600	N/A	W-3-PPPK-3600	N/A
3	1-1/4	1-1/4	250	5/16	W-3-PPOG-3800*	N/A	W-3-PPOL-3800*	N/A	W-3-PPOR-3800*	N/A	W-3-PPOK-3800*	N/A
3	1-1/4	1-1/2	250	3/8	W-3-PPPG-5200	W-3-PPBG-5200	W-3-PPPL-5200	W-3-PPBL-5200	W-3-PPPR-5200	W-3-PPBR-5200	W-3-PPPK-5200	W-3-PPBK-5200
3-1/2	1-1/4	1-1/2	250	3/8	W-3.5-PPPG-5200	W-3.5-PPBG-5200	W-3.5-PPPL-5200	W-3.5-PPBL-5200	W-3.5-PPPR-5200	W-3.5-PPBR-5200	W-3.5-PPPK-5200	W-3.5-PPBK-5200
4	1	1-3/16	220	5/16	W-4-PPPG-3600	N/A	W-4-PPPL-3600	N/A	W-4-PPPR-3600	N/A	W-4-PPPK-3600	N/A
4	1-1/4	1-1/2	275	3/8	W-4-PPPG-5200	W-4-PPBG-5200	W-4-PPPL-5200	W-4-PPBL-5200	W-4-PPPR-5200	W-4-PPBR-5200	W-4-PPPK-5200	W-4-PPBK-5200
5	1	1-3/16	220	5/16	W-5-PPPG-3600	N/A	W-5-PPPL-3600	N/A	W-5-PPPR-3600	N/A	W-5-PPPK-3600	N/A
5	1-1/4	1-1/2	300	3/8	W-5-PPPG-5200	W-5-PPBG-5200	W-5-PPPL-5200	W-5-PPBL-5200	W-5-PPPR-5200	W-5-PPBR-5200	W-5-PPPK-5200	W-5-PPBK-5200

## POLYURETHANE ON POLYOLEFIN SINGLE PRECISION BEARING



- Mechanically bonded polyurethane on polyolefin core
- Single precision bearing pressed into core provides smooth rolling
- Offers floor protection, is non marking and delivers somewhat of a cushioned and quieter ride than a standard hard tread or steel wheel
- Plastic thread guards included
- Resistant to most chemicals, oils, acids, grease and water
- Durometer: 95 Shore A
- Temperature rating: -40 to 180 degrees Fahrenheit



COLOR →					GRAY ON BEIGE	RED ON BEIGE
3	1-1/4	1-1/2	250	3/8	W-3-PPSBG-5200	W-3-PPSBR-5200
4	1-1/4	1-1/2	250	3/8	W-4-PPSBG-5200	N/A
5	1-1/4	1-1/2	250	3/8	W-5-PPSBG-5200	N/A
6	1-1/4	1-1/2	250	3/8	W-6-PPSBG-5200	N/A



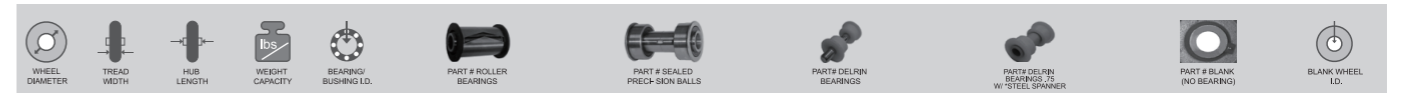
# WHEELS

## POLYURETHANE ON POLYOLEFIN



- Precision molded high quality polyurethane mechanically locked to a durable polyolefin core, provides a very versatile, strong and attractive wheel
- Resistant to most chemicals, oils, grease, cleaning agents, solvents and water
- Offers floor protection, is non marking and non-conductive
- Other colors available, please inquire
- Durometer: 95 Shore A
- Temperature rating: -40 to 180 degrees Fahrenheit

## BLUE ON BLACK



4	1-1/2	1-5/8	500	3/8	W-4-XLB-5500-C	N/A	N/A	W-4-XLB-5500-DBO	W-4-XLB-6400	1-3/16
4	1-1/2	1-5/8	500	1/2	W-4-XLB-6400-C	N/A	W-4-XLB-6400-DB	W-4-XLB-6400-DBO	W-4-XLB-6400	1-3/16
4	2	2-3/16	800	1/2	W-4-XLB-6600-C	W-4-XLB-6600-BB	W-4-XLB-6600-DB	W-4-XLB-6600-DBO	W-4-XLB-6600	1-3/16
5	1-1/2	1-5/8	550	3/8	W-5-XLB-5500-C	N/A	N/A	W-5-XLB-5500-DBO	W-5-XLB-6400	1-3/16
5	1-1/2	1-5/8	550	1/2	W-5-XLB-6400-C	N/A	W-5-XLB-6400-DB	W-5-XLB-6400-DBO	W-5-XLB-6400	1-3/16
5	2	2-3/16	900	1/2	W-5-XLB-6600-C	W-5-XLB-6600-BB	W-5-XLB-6600-DB	W-5-XLB-6600-DBO	W-5-XLB-6600	1-3/16
6	1-1/2	1-5/8	600	3/8	W-6-XLB-5500-C	N/A	N/A	W-6-XLB-5500-DBO	W-6-XLB-6400	1-3/16
6	1-1/2	1-5/8	600	1/2	W-6-XLB-6400-C	N/A	W-6-XLB-6400-DB	W-6-XLB-6400-DBO	W-6-XLB-6400	1-3/16
6	2	2-3/16	1000	1/2	W-6-XLB-6600-C	W-6-XLB-6600-BB	W-6-XLB-6600-DB	W-6-XLB-6600-DBO	W-6-XLB-6600	1-3/16
8	2	2-3/16	1100	1/2	W-8-XLB-6600-C	W-8-XLB-6600-BB	W-8-XLB-6600-DB	W-8-XLB-6600-DBO	W-8-XLB-6600	1-3/16

## GRAY ON BEIGE

5	2	2-3/16	900	1/2	W-5-XLG-6600-C	W-5-XLG-6600-BB	W-5-XLG-6600-DB	W-5-XLG-6600-DBO	W-5-XLG-6600	1-3/16
8	2	2-3/16	1100	1/2	W-8-XLG-6600-C	W-8-XLG-6600-BB	W-8-XLG-6600-DB	W-8-XLG-6600-DBO	W-8-XLG-6600	1-3/16

\* TO ORDER 3/4 DELRIN BEARING WITH DELRIN BUSHING INSTEAD OF STEEL CHANGE PART # FROM-DBO TO DBD, TO ORDER WITH STAINLESS STEEL BUSHING CHANGE TO -DBS.

# WHEELS

## SOLID POLYURETHANE



- Molded from high performance liquid cast polyurethane
- Good rollability on smooth floors
- Capable of withstanding high shock loads and abusive conditions
- Abrasion, breaking, chipping & cracking resilient
- Resistant to most chemicals, oils, grease, cleaning agents, solvents and water
- Durometer: 55-65 Shore D
- Temperature rating: -40 to 180 degrees Fahrenheit, intermittent service (120 continuous service)

WHEEL DIAMETER	TREAD WIDTH	HUB LENGTH	WEIGHT CAPACITY	BEARING/ BUSHING I.D.	PART # ROLLER BEARINGS	PART # SEALED PRECI-SION BALLS	PART# DELRN BEARINGS	PART# DELRN BEARINGS, 72 W/ STEEL SPANNER	PART # BLANK (NO BEARING)	BLANK WHEEL I.D.
3	1-1/4	1-1/2	300	3/8	N/A	N/A	N/A	N/A	W-3-SPU-5200	3/8
4	1-1/4	1-1/2	400	3/8	N/A	N/A	N/A	N/A	W-4-SPU-5200	3/8
4	2	2-3/16	800	1/2	W-4-SPU-6600-C	W-4-SPU-6600-BB	W-4-SPU-6600-DB	W-4-SPU-6600-DBO	W-4-SPU-6600	1-3/16
5	1-1/4	1-1/2	450	3/8	N/A	N/A	N/A	N/A	W-5-SPU-5200	3/8
5	2	2-3/16	1000	1/2	W-5-SPU-6600-C	W-5-SPU-6600-BB	W-5-SPU-6600-DB	W-5-SPU-6600-DBO	W-5-SPU-6600	1-3/16
6	2	2-3/16	1200	1/2	W-6-SPU-6600-C	W-6-SPU-6600-BB	W-6-SPU-6600-DB	W-6-SPU-6600-DBO	W-6-SPU-6600	1-3/16
8	2	2-3/16	1300	1/2	W-8-SPU-6600-C	W-8-SPU-6600-BB	W-8-SPU-6600-DB	W-8-SPU-6600-DBO	W-8-SPU-6600	1-3/16

# WHEELS

## RUBBER ON ALUMINUM



To order wheel with bearing covers put a -BC at the end of the wheel part #  
 Example: W-5-PAL-5200-BC  
 Or order bearing covers per piece (2 needed per wheel) #BC-RAL

\*\*\*STANDARD TREAD COLOR ON 2" WIDE WHEELS IS BLACK\*\*\*

- Precision molded high quality gray rubber tread chemically bonded to a smooth, polished aluminum core, provides a very versatile, strong and attractive wheel
- The combination of the ball (on 1-1/4" tread wheels) and soft rubber tread provides an exceptionally smooth, cushioned ride, with minimal effort required to start up and push a load. Having a cushioned ride provides the advantage of being able to roll over small debris and small obstacles on the floor like electrical cords, door thresholds, tiled floors, etc
- Great wheel for foodservice and institutional applications, meets NSF & UL sanitation standards
- Offers floor protection, is non-marking and non-conductive
- Resistant to most chemicals, oils, grease, cleaning agents, solvents and water
- Standard color for the 1-1/4" wide tread is gray rubber and the 2" wide tread is black rubber
- Durometer: 65 to 75 Shore A
- Temperature rating: -40 to 180 degrees Fahrenheit, intermittent service (120 continuous service)

WHEEL DIAMETER	TREAD WIDTH	HUB LENGTH	WEIGHT CAPACITY	BEARING/ BUSHING I.D.	PART # ANNULAR BALL BEARING	PART # ROLLER BEARINGS	PART # SEALED PRECISION BALL BEARINGS	PART # BLANK (NO BEARING)	BLANK WHEEL I.D.
3	1-1/4	1-1/2	250	3/8	W-3-RAL-5200	N/A	N/A	N/A	N/A
3-1/2	1-1/4	1-1/2	250	3/8	W-3.5-RAL-5200	N/A	N/A	N/A	N/A
4	1-1/4	1-1/2	250	3/8	W-4-RAL-5200	N/A	N/A	N/A	N/A
4	2	2-3/16	350	1/2	N/A	W-4-RAL-6600-C	W-4-RAL-6600-BB	W-4-RAL-6600	1-3/16
5	1-1/4	1-1/2	250	3/8	W-5-RAL-5200	N/A	N/A	N/A	N/A
5	2	2-3/16	500	1/2	N/A	W-5-RAL-6600-C	W-5-RAL-6600-BB	W-5-RAL-6600	1-3/16
6	1-1/4	1-1/2	250	3/8	W-6-RAL-5200	N/A	N/A	N/A	N/A
6	2	2-3/16	500	1/2	N/A	W-6-RAL-6600-C	W-6-RAL-6600-BB	W-6-RAL-6600	1-3/16
8	2	2-3/16	600	1/2	N/A	W-8-RAL-6600-C	W-8-RAL-6600-BB	W-8-RAL-6600	1-3/16

# WHEELS

## RUBBER ON CAST IRON



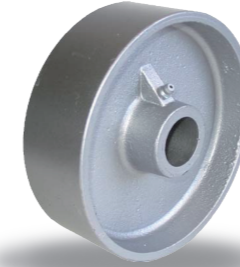
- High quality cushion rubber, chemically bonded to a painted cast iron core
- Offers exceptional floor protection
- Provides excellent shock absorption, dampens vibration and provides a quiet ride
- Soft tread wheel helps the equipment it's attached to roll over debris and uneven floor conditions
- Standard color is black on black
- Durometer: 60 - 80 Shore A
- Temperature rating: -40 to 180 degrees Fahrenheit

WHEEL DIAMETER	TREAD WIDTH	HUB LENGTH	WEIGHT CAPACITY	BEARING/ BUSHING I.D.	PART # ROLLER BEARINGS	PART # SEALED PRECISION BALLS	PART# DELRIN BEARINGS	PART# DELRIN BEARINGS .75 W/ STEEL SPANNER	PART # BLANK (NO BEARING)	BLANK WHEEL I.D.
4	1-1/2	1-5/8	300	3/8	W-4-RCI-5500-C	N/A	N/A	W-4-RCI-5500-DBO	W-4-RCI-6400	1-3/16
4	1-1/2	1-5/8	300	1/2	W-4-RCI-6400-C	N/A	W-4-RCI-6400-DB	W-4-RCI-6400-DBO	W-4-RCI-6400	1-3/16
4	2	2-3/16	350	1/2	W-4-RCI-6600-C	W-4-RCI-6600-BB	W-4-RCI-6600-DB	W-4-RCI-6600-DBO	W-4-RCI-6600	1-3/16
5	1-1/2	1-5/8	345	3/8	W-5-RCI-5500-C	N/A	N/A	W-5-RCI-5500-DBO	W-5-RCI-6400	1-3/16
5	1-1/2	1-5/8	345	1/2	W-5-RCI-6400-C	N/A	W-5-RCI-6400-DB	W-5-RCI-6400-DBO	W-5-RCI-6400	1-3/16
5	2	2-3/16	450	1/2	W-5-RCI-6600-C	W-5-RCI-6600-BB	W-5-RCI-6600-DB	W-5-RCI-6600-DBO	W-5-RCI-6600	1-3/16
6	1-1/2	1-5/8	375	3/8	W-6-RCI-5500-C	N/A	N/A	W-6-RCI-5500-DBO	W-6-RCI-6400	1-3/16
6	1-1/2	1-5/8	375	1/2	W-6-RCI-6400-C	N/A	W-6-RCI-6400-DB	W-6-RCI-6400-DBO	W-6-RCI-6400	1-3/16
6	2	2-3/16	500	1/2	W-6-RCI-6600-C	W-6-RCI-6600-BB	W-6-RCI-6600-DB	W-6-RCI-6600-DBO	W-6-RCI-6600	1-3/16
6	2-1/2	2-3/4	750	1/2	W-6-RCI-6825-C	N/A	W-6-RCI-6825-DB	W-6-RCI-6825-DBO	W-6-RCI-6825	1-3/16
6	2-1/2	2-3/4	750	3/4	W-6-RCI-9400-C	N/A	N/A	N/A	W-6-RCI-9400	1-15/16
6	2-1/2	2-3/4	750	1	W-6-RCI-9400-C-1 (NO BUSHING)	N/A	N/A	N/A	W-6-RCI-9400	1-15/16
6	2-1/2	2-3/4	750	1-1/4	W-6-RCI-9400-C-1.25 (NO BUSHING)	N/A	N/A	N/A	W-6-RCI-9400	1-15/16
6	3	3-1/4	750	3/4	W-6-RCI-9500-C	N/A	N/A	N/A	W-6-RCI-9500	1-15/16
6	3	3-1/4	750	1	W-6-RCI-9500-C-1 (NO BUSHING)	N/A	N/A	N/A	W-6-RCI-9500	1-15/16
6	3	3-1/4	750	1-1/4	W-6-RCI-9500-C-1.25 (NO BUSHING)	N/A	N/A	N/A	W-6-RCI-9500	1-15/16
8	2	2-3/16	600	1/2	W-8-RCI-6600-C	W-8-RCI-6600-BB	W-8-RCI-6600-DB	W-8-RCI-6600-DBO	W-8-RCI-6600	1-3/16
8	2-1/2	2-3/4	900	1/2	W-8-RCI-6825-C	N/A	W-8-RCI-6825-DB	W-8-RCI-6825-DBO	W-8-RCI-6825	1-3/16
8	2-1/2	2-3/4	900	3/4	W-8-RCI-9400-C	N/A	N/A	N/A	W-8-RCI-9400	1-15/16
8	2-1/2	2-3/4	900	1	W-8-RCI-9400-C-1 (NO BUSHING)	N/A	N/A	N/A	W-8-RCI-9400	1-15/16
8	2-1/2	2-3/4	900	1-1/4	W-8-RCI-9400-C-1.25 (NO BUSHING)	N/A	N/A	N/A	W-8-RCI-9400	1-15/16
8	3	3-1/4	900	3/4	W-8-RCI-9500-C	N/A	N/A	N/A	W-8-RCI-9500	1-15/16
8	3	3-1/4	900	1	W-8-RCI-9500-C-1 (NO BUSHING)	N/A	N/A	N/A	W-8-RCI-9500	1-15/16
8	3	3-1/4	900	1-1/4	W-8-RCI-9500-C-1.25 (NO BUSHING)	N/A	N/A	N/A	W-8-RCI-9500	1-15/16
10	2-1/2	2-3/4	1000	3/4	W-10-RCI-9400-C	N/A	N/A	N/A	W-10-RCI-9400	1-15/16
10	2-1/2	2-3/4	1000	1	W-10-RCI-9400-C-1 (NO BUSHING)	N/A	N/A	N/A	W-10-RCI-9400	1-15/16
10	2-1/2	2-3/4	1000	1-1/4	W-10-RCI-9400-C-1.25 (NO BUSHING)	N/A	N/A	N/A	W-10-RCI-9400	1-15/16
10	3	3-1/4	1000	3/4	W-10-RCI-9500-C	N/A	N/A	N/A	W-10-RCI-9500	1-15/16
10	3	3-1/4	1000	1	W-10-RCI-9500-C-1 (NO BUSHING)	N/A	N/A	N/A	W-10-RCI-9500	1-15/16
10	3	3-1/4	1000	1-1/4	W-10-RCI-9500-C-1.25 (NO BUSHING)	N/A	N/A	N/A	W-10-RCI-9500	1-15/16
12	2-1/2	2-3/4	1200	3/4	W-12-RCI-9400-C	N/A	N/A	N/A	W-12-RCI-9400	1-15/16
12	2-1/2	2-3/4	1200	1	W-12-RCI-9400-C-1 (NO BUSHING)	N/A	N/A	N/A	W-12-RCI-9400	1-15/16
12	2-1/2	2-3/4	1200	1-1/4	W-12-RCI-9400-C-1.25 (NO BUSHING)	N/A	N/A	N/A	W-12-RCI-9400	1-15/16
12	3	3-1/4	1200	3/4	W-12-RCI-9500-C	N/A	N/A	N/A	W-12-RCI-9500	1-15/16
12	3	3-1/4	1200	1	W-12-RCI-9500-C-1 (NO BUSHING)	N/A	N/A	N/A	W-12-RCI-9500	1-15/16
12	3	3-1/4	1200	1-1/4	W-12-RCI-9500-C-1.25 (NO BUSHING)	N/A	N/A	N/A	W-12-RCI-9500	1-15/16

\* TO ORDER 3/4 DELRIN BEARING WITH DELRIN BUSHING INSTEAD OF STEEL CHANGE PART # FROM-DBO TO DBD, TO ORDER WITH STAINLESS STEEL BUSHING CHANGE TO -DBS

# WHEELS

## STEEL (CAST IRON)



- Made from premium cast iron or otherwise known as semi-steel
- Cost effective, long lasting wheel for medium to high weight applications
- Resistant to abrasions or applications that may tear up soft tread wheels
- Minimal effort required to start-up and push loads
- Great for applications requiring extreme temperatures
- Temperature rating: -40 to +800 degrees Fahrenheit (All metal components should be used in applications over 180 degrees)
- Durometer: 130-150 Brielle

WHEEL DIAMETER	TREAD WIDTH	HUB LENGTH	WEIGHT CAPACITY	BEARING/ BUSHING I.D.	PART # BLANK (NO BEARING)
2	15/16	1-1/32	125	1/4	W-2-STL-4000
2	1	1-1/8	160	5/16	W-2-STL-3800
2-1/2	1-1/8	1-3/8	200	5/16	W-2.5-STL-4000
3	1-1/4	1-1/2	300	3/8	W-3-STL-5200
4	1-1/4	1-9/16	400	3/8	W-4-STL-5200

WHEEL DIAMETER	TREAD WIDTH	HUB LENGTH	WEIGHT CAPACITY	BEARING/ BUSHING I.D.	PART # ROLLER BEARINGS	PART # SEALED PRECISION BALLS	PART# DELRIN BEARINGS	PART# DELRIN BEARINGS .75 W/ STEEL SPANNER	PART # BLANK (NO BEARING)	BLANK WHEEL I.D.
4	1-1/2	1-5/8	650	3/8	W-4-STL-5500-C	N/A	N/A	W-4-STL-5500-DBO	W-4-STL-6400	1-3/16
4	1-1/2	1-5/8	650	1/2	W-4-STL-6400-C	N/A	W-4-STL-6400-DB	W-4-STL-6400-DBO	W-4-STL-6400	1-3/16
4	2	2-3/16	1000	1/2	W-4-STL-6600-C	W-4-STL-6600-BB	W-4-STL-6600-DB	W-4-STL-6600-DBO	W-4-STL-6600	1-3/16
5	1-1/2	1-5/8	700	3/8	W-5-STL-5500-C	N/A	N/A	W-5-STL-5500-DBO	W-5-STL-6400	1-3/16
5	1-1/2	1-5/8	700	1/2	W-5-STL-6400-C	N/A	W-5-STL-6400-DB	W-5-STL-6400-DBO	W-5-STL-6400	1-3/16
5	2	2-3/16	1000	1/2	W-5-STL-6600-C	W-5-STL-6600-BB	W-5-STL-6600-DB	W-5-STL-6600-DBO	W-5-STL-6600	1-3/16
6	1-1/2	1-5/8	750	3/8	W-6-STL-5500-C	N/A	N/A	W-6-STL-5500-DBO	W-6-STL-6400	1-3/16
6	1-1/2	1-5/8	750	1/2	W-6-STL-6400-C	N/A	W-6-STL-6400-DB	W-6-STL-6400-DBO	W-6-STL-6400	1-3/16
6	2	2-3/16	1400	1/2	W-6-STL-6600-C	W-6-STL-6600-BB	W-6-STL-6600-DB	W-6-STL-6600-DBO	W-6-STL-6600	1-3/16
6	2-1/2	2-3/4	2500	1/2	W-6-STL-6825-C	N/A	W-6-STL-6825-DB	W-6-STL-6825-DBO	W-6-STL-6825	1-3/16
6	2-1/2	2-3/4	2500	3/4	W-6-STL-9400-C	N/A	N/A	N/A	W-6-STL-9400	1-15/16
6	2-1/2	2-3/4	2500	1	W-6-STL-9400-C-1 (NO BUSHING)	N/A	N/A	N/A	W-6-STL-9400	1-15/16
6	2-1/2	2-3/4	2500	1-1/4	W-6-STL-9400-C-1.25 (NO BUSHING)	N/A	N/A	N/A	W-6-STL-9400	1-15/16
6	3	3-1/4	2500	3/4	W-6-STL-9500-C	N/A	N/A	N/A	W-6-STL-9500	1-15/16
6	3	3-1/4	2500	1	W-6-STL-9500-C-1 (NO BUSHING)	N/A	N/A	N/A	W-6-STL-9500	1-15/16
6	3	3-1/4	2500	1-1/4	W-6-STL-9500-C-1.25 (NO BUSHING)	N/A	N/A	N/A	W-6-STL-9500	1-15/16
8	2	2-3/16	1400	1/2	W-8-STL-6600-C	W-8-STL-6600-BB	W-8-STL-6600-DB	W-8-STL-6600-DBO	W-8-STL-6600	1-3/16
8	2-1/2	2-3/4	2500	1/2	W-8-STL-6825-C	N/A	W-8-STL-6825-DB	W-8-STL-6825-DBO	W-8-STL-6825	1-3/16
8	2-1/2	2-3/4	2500	3/4	W-8-STL-9400-C	N/A	N/A	N/A	W-8-STL-9400	1-15/16
8	2-1/2	2-3/4	2500	1	W-8-STL-9400-C-1 (NO BUSHING)	N/A	N/A	N/A	W-8-STL-9400	1-15/16
8	2-1/2	2-3/4	2500	1-1/4	W-8-STL-9400-C-1.25 (NO BUSHING)	N/A	N/A	N/A	W-8-STL-9400	1-15/16
8	3	3-1/4	2500	3/4	W-8-STL-9500-C	N/A	N/A	N/A	W-8-STL-9500	1-15/16
8	3	3-1/4	2500	1	W-8-STL-9500-C-1 (NO BUSHING)	N/A	N/A	N/A	W-8-STL-9500	1-15/16
8	3	3-1/4	2500	1-1/4	W-8-STL-9500-C-1.25 (NO BUSHING)	N/A	N/A	N/A	W-8-STL-9500	1-15/16

\* TO ORDER 3/4 DELRIN BEARING WITH DELRIN BUSHING INSTEAD OF STEEL CHANGE PART # FROM-DBO TO DBD, TO ORDER WITH STAINLESS STEEL BUSHING CHANGE TO -DBS.



# WHEELS

## STEEL (CAST IRON) continued...

WHEEL DIAMETER	TREAD WIDTH	HUB LENGTH	WEIGHT CAPACITY	BEARING/ BUSHING I.D.	PART # ROLLER BEARINGS	PART # SEALED PRECISION BALLS	PART# DELRIN BEARINGS	PART# DELRIN BEARINGS 75 W/ STEEL SPANNER	PART # BLANK (NO BEARING)	BLANK WHEEL I.D.
10	2-1/2	2-3/4	2700	3/4	W-10-STL-9400-C	N/A	N/A	N/A	W-10-STL-9400	
10	2-1/2	2-3/4	2700	1	W-10-STL-9400-C-1 (NO BUSHING)	N/A	N/A	N/A	W-10-STL-9400	1-15/16
10	2-1/2	2-3/4	2700	1-1/4	W-10-STL-9400-C-1.25 (NO BUSHING)	N/A	N/A	N/A	W-10-STL-9400	1-15/16
10	3	3-1/4	2700	3/4	W-10-STL-9500-C	N/A	N/A	N/A	W-10-STL-9500	
10	3	3-1/4	2700	1	W-10-STL-9500-C-1 (NO BUSHING)	N/A	N/A	N/A	W-10-STL-9500	1-15/16
10	3	3-1/4	2700	1-1/4	W-10-STL-9500-C-1.25 (NO BUSHING)	N/A	N/A	N/A	W-10-STL-9500	1-15/16
12	2-1/2	2-3/4	2500	3/4	W-12-STL-9400-C	N/A	N/A	N/A	W-12-STL-9400	
12	2-1/2	2-3/4	2500	1	W-12-STL-9400-C-1 (NO BUSHING)	N/A	N/A	N/A	W-12-STL-9400	1-15/16
12	2-1/2	2-3/4	2500	1-1/4	W-12-STL-9400-C-1.25 (NO BUSHING)	N/A	N/A	N/A	W-12-STL-9400	1-15/16
12	3	3-1/4	2500	3/4	W-12-STL-9500-C	N/A	N/A	N/A	W-12-STL-9500	
12	3	3-1/4	2500	1	W-12-STL-9500-C-1 (NO BUSHING)	N/A	N/A	N/A	W-12-STL-9500	1-15/16
12	3	3-1/4	2500	1-1/4	W-12-STL-9500-C-1.25 (NO BUSHING)	N/A	N/A	N/A	W-12-STL-9500	1-15/16

# WHEELS

## THERMOPLASTIC RUBBER



- Precision molded high quality Thermoplastic Rubber mechanically locked to a durable polyolefin core
- Provides a smooth, cushioned ride
- Offers floor protection, is non marking and non-conductive
- Resistant to most chemicals, oils, grease, cleaning agents, solvents and water
- **Plain bore** option provides an economical alternative to balls and has the same advantages as delrin bearings with added durability and are less expensive. Great for use in sanitary & wet applications.
- Provides sufficient rollability for most jobs
- \* Several small sizes come standard with a spanner bushing providing stability to the yoke
- **Ball bearing** option provides greater rollability and less effort to push a load. Bearing covers available: add -BCG to the end of the part number (example:W-5-TRB-5200-BCG)
- Durometer: 55-65 Shore A
- Temperature rating: -40 to 180 degrees Fahrenheit, intermittent service (120 continuous service)

WHEEL DIAMETER	TREAD WIDTH	HUB LENGTH	WEIGHT CAPACITY	I.D.	PART # PLAIN BORE	PART # BALL	PART # PLAIN BORE	PART # BALL
<b>COLOR</b> →					<b>GRAY ON BEIGE (Standard)</b>		<b>BLACK ON BEIGE</b>	
2	7/8	31/32	100	1/4	W-2-TRP-4000	N/A	W-2-TRPK-4000	N/A
2	1	1-5/32	120	5/16	W-2-TRP-3800	N/A	W-2-TRPK-3800	N/A
2-1/2	7/8	31/32	105	1/4	W-2.5-TRP-3000	N/A	W-2.5-TRPK-3000	N/A
2-1/2	1-1/8	1-13/32	150	5/16	W-2.5-TRO-3800*	N/A	W-2.5-TROK-3800*	N/A
3	7/8	31/32	110	1/4	W-3-TRP-3000	N/A	W-3-TRPK-3000	N/A
3	1	1-3/16	175	5/16	W-3-TRP-3600	N/A	W-3-TRPK-3600	N/A
3	1-1/4	1-1/4	210	5/16	W-3-TRO-3800*	N/A	W-3-TROK-3800*	N/A
3	1-1/4	1-1/2	210	3/8	W-3-TRP-5200	W-3-TRB-5200	W-3-TRPK-5200	W-3-TRBK-5200
3-1/2	1-1/4	1-1/2	250	3/8	W-3.5-TRP-5200	W-3.5-TRB-5200	W-3.5-TRPK-5200	W-3.5-TRBK-5200
4	1	1-3/16	220	5/16	W-4-TRP-3600	N/A	W-4-TRPK-3600	N/A
4	1-1/4	1-1/2	250	3/8	W-4-TRP-5200	W-4-TRB-5200	W-4-TRPK-5200	W-4-TRBK-5200
5	1	1-3/16	220	5/16	W-5-TRP-3600	N/A	W-5-TRPK-3600	N/A
5	1-1/4	1-1/2	250	3/8	W-5-TRP-5200	W-5-TRB-5200	W-5-TRPK-5200	W-5-TRBK-5200

## THERMOPLASTIC RUBBER SINGLE PRECISION BEARING



- Mechanically bonded thermoplastic rubber on polyolefin core
- **Single precision bearing** pressed into core provides smooth rolling
- Offers floor protection, is non-marking and delivers somewhat of a cushioned and quieter ride than a standard hard tread or steel wheel
- Plastic thread guards included
- Resistant to most chemicals, oils, acids, grease and water
- Durometer: 55-65 Shore A
- Temperature rating: -40 to 180 degrees Fahrenheit

WHEEL DIAMETER	TREAD WIDTH	HUB LENGTH	WEIGHT CAPACITY	I.D.	PART # SINGLE PRECISION BEARING
<b>COLOR</b> →					<b>GRAY ON BEIGE</b>
3	1-1/4	1-1/2	210	3/8	W-3-TRSB-5200
4	1-1/4	1-1/2	250	3/8	W-4-TRSB-5200
5	1-1/4	1-1/2	250	3/8	W-5-TRSB-5200
6	1-1/4	1-1/4	250	3/8	W-6-TRSB-5200

# WHEELS

## THERMOPLASTIC RUBBER



- Precision molded high quality Thermoplastic Rubber mechanically locked to a durable polyolefin core.
- Provides a smooth, cushioned ride.
- Offers floor protection, is non-marking and non-conductive.
- Resistant to most chemicals, oils, grease, cleaning agents, solvents and water.
- Durometer: 55-65 Shore A.
- Temperature rating: -40 to 180 degrees Fahrenheit, intermittent service. (120 continuous service).

## GRAY ON BEIGE

WHEEL DIAMETER	TREAD WIDTH	HUB LENGTH	WEIGHT CAPACITY	BEARING/ BUSHING I.D.	PART # ROLLER BEARINGS	PART # CAGED ROLLER BEARINGS	PART# DELRIN BEARINGS	PART# DELRIN BEARINGS, 25 W/ STEEL SPINNER	PART # BLANK (NO BEARING)	BLANK WHEEL I.D.
4	2	2-3/16	300	1/2	W-4-TPR-6600-C	W-4-TPR-6600-BB	W-4-TPR-6600-DB	W-4-TPR-6600-DBO	W-4-TPR-6600	1-3/16
5	2	2-3/16	350	1/2	W-5-TPR-6600-C	W-5-TPR-6600-BB	W-5-TPR-6600-DB	W-5-TPR-6600-DBO	W-5-TPR-6600	1-3/16
6	1-1/2	1-5/8	400	3/8	W-6-TPR-5500-C	N/A	N/A	W-6-TPR-5500-DBO	W-6-TPR-6400	1-3/16
6	1-1/2	1-5/8	400	1/2	W-6-TPR-6400-C	N/A	W-6-TPR-6400-DB	W-6-TPR-6400-DBO	W-6-TPR-6400	1-3/16
6	2	2-3/16	410	1/2	W-6-TPR-6600-C	W-6-TPR-6600-BB	W-6-TPR-6600-DB	W-6-TPR-6600-DBO	W-6-TPR-6600	1-3/16
8	2	2-3/16	500	1/2	W-8-TPR-6600-C	W-8-TPR-6600-BB	W-8-TPR-6600-DB	W-8-TPR-6600-DBO	W-8-TPR-6600	1-3/16

\* TO ORDER 3/4 DELRIN BEARING WITH DELRIN BUSHING INSTEAD OF STEEL CHANGE PART # FROM-DBO TO DBD, TO ORDER WITH STAINLESS STEEL BUSHING CHANGE TO -DBS.

## ROUND TREAD THERMOPLASTIC RUBBER

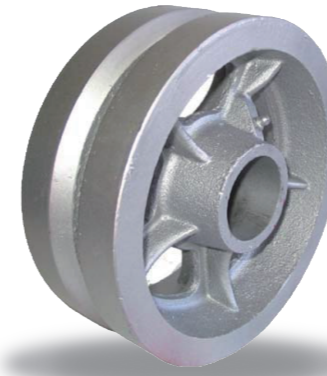


- Precision molded high quality Thermoplastic Rubber mechanically locked to a durable polyolefin core.
- Fully crowned wheel provides extra cushioning and swivel mobility for a smooth ride.
- This wheels ability to roll over small debris or other items like power cords & door thresholds makes it a great, versatile wheel with countless specialty applications.
- Offers floor protection, is non-marking and non-conductive.
- Resistant to most chemicals, oils, grease, cleaning agents, solvents and water.
- Durometer: 55-65 Shore A.
- Temperature rating: -40 to 180 degrees Fahrenheit, intermittent service. (120 continuous service).

WHEEL DIAMETER	TREAD WIDTH	HUB LENGTH	WEIGHT CAPACITY	BEARING/ BUSHING I.D.	PART # ROLLER BEARINGS	PART # CAGED ROLLER BEARINGS	PART# DELRIN BEARINGS	PART# DELRIN BEARINGS, 25 W/ STEEL SPINNER	PART # BLANK (NO BEARING)	BLANK WHEEL I.D.
4	2	2-3/16	300	1/2	W-4-RTP-6600-C	W-4-RTP-6600-BB	W-4-RTP-6600-DB	W-4-RTP-6600-DBO	W-4-RTP-6600	1-3/16
5	1-1/4	1-1/2	250	3/8	N/A	N/A	N/A	N/A	W-5-RTPO-5200	3/8
5	2	2-3/16	350	1/2	W-5-RTP-6600-C	W-5-RTP-6600-BB	W-5-RTP-6600-DB	W-5-RTP-6600-DBO	W-5-RTP-6600	1-3/16
6	2	2-3/16	410	1/2	W-6-RTP-6600-C	W-6-RTP-6600-BB	W-6-RTP-6600-DB	W-6-RTP-6600-DBO	W-6-RTP-6600	1-3/16
8	2	2-3/16	500	1/2	W-8-RTP-6600-C	W-8-RTP-6600-BB	W-8-RTP-6600-DB	W-8-RTP-6600-DBO	W-8-RTP-6600	1-3/16

# WHEELS

## V GROOVE



- Made from premium cast iron or otherwise known as semi-steel
- Made for use on either angle iron track, a flat surface, or both
- Wheel is machined in the center of the tread with a relief groove at the base of the "V" directing the load to each side of the groove
- Resist breaking, chipping & cracking
- Minimal effort required to start-up and push loads
- Great for applications requiring extreme temperatures
- Temperature rating: -40 to +800 degrees Fahrenheit (All metal components should be used in applications over 180 degrees)
- Durometer: 130-150 Brinell
- V-Groove is 7/8" wide by 7/16" deep.

WHEEL DIAMETER	TREAD WIDTH	HUB LENGTH	WEIGHT CAPACITY	BEARING/ BUSHING I.D.	PART # ROLLER BEARINGS	PART # SEALED PRECISION BALLS	PART# DELRIN BEARINGS	PART# DELRIN BEARINGS, 25 W/ STEEL SPINNER	PART # BLANK (NO BEARING)	BLANK WHEEL I.D.
4	1-1/2	1-5/8	600	1/2	W-4-VG-6400-C	N/A	W-4-VG-6600-DB	W-4-VG-6600-DBO	W-4-VG-6400	1-3/16
4	2	2-3/16	1000	1/2	W-4-VG-6600-C	W-4-VG-6600-BB	W-4-VG-6600-DB	W-4-VG-6600-DBO	W-4-VG-6600	1-3/16
5	2	2-3/16	1400	1/2	W-5-VG-6600-C	W-5-VG-6600-BB	W-5-VG-6600-DB	W-5-VG-6600-DBO	W-5-VG-6600	1-3/16
6	2	2-3/16	1400	1/2	W-6-VG-6600-C	W-6-VG-6600-BB	W-6-VG-6600-DB	W-6-VG-6600-DBO	W-6-VG-6600	1-3/16
6	2-1/2	2-3/4	2000	3/4	W-6-VG-9400-C	N/A	N/A	N/A	W-6-VG-9400	1-15/16
6	2-1/2	2-3/4	2000	1	W-6-VG-9400-C-1 (NO BUSHING)	N/A	N/A	N/A	W-6-VG-9400	1-15/16
6	2-1/2	2-3/4	2000	1-1/4	W-6-VG-9400-C-1.25 (NO BUSHING)	N/A	N/A	N/A	W-6-VG-9400	1-15/16
6	3	3-1/4	2500	3/4	W-6-VG-9500-C	N/A	N/A	N/A	W-6-VG-9500	1-15/16
6	3	3-1/4	2500	1	W-6-VG-9500-C-1 (NO BUSHING)	N/A	N/A	N/A	W-6-VG-9500	1-15/16
6	3	3-1/4	2500	1-1/4	W-6-VG-9500-C-1.25 (NO BUSHING)	N/A	N/A	N/A	W-6-VG-9500	1-15/16
8	2	2-3/16	1400	1/2	W-8-VG-6600-C	W-8-VG-6600-BB	W-8-VG-6600-DB	W-8-VG-6600-DBO	W-8-VG-6600	1-3/16
8	2-1/2	2-3/4	2500	3/4	W-8-VG-9400-C	N/A	N/A	N/A	W-8-VG-9400	1-15/16
8	2-1/2	2-3/4	2500	1	W-8-VG-9400-C-1 (NO BUSHING)	N/A	N/A	N/A	W-8-VG-9400	1-15/16
8	2-1/2	2-3/4	2500	1-1/4	W-8-VG-9400-C-1.25 (NO BUSHING)	N/A	N/A	N/A	W-8-VG-9400	1-15/16
8	3	3-1/4	2800	3/4	W-8-VG-9500-C	N/A	N/A	N/A	W-8-VG-9500	1-15/16
8	3	3-1/4	2800	1	W-8-VG-9500-C-1 (NO BUSHING)	N/A	N/A	N/A	W-8-VG-9500	1-15/16
8	3	3-1/4	2800	1-1/4	W-8-VG-9500-C-1.25 (NO BUSHING)	N/A	N/A	N/A	W-8-VG-9500	1-15/16

\* TO ORDER 3/4 DELRIN BEARING WITH DELRIN BUSHING INSTEAD OF STEEL CHANGE PART # FROM-DBO TO DBD, TO ORDER WITH STAINLESS STEEL BUSHING CHANGE TO -DBS.

# MATERIAL HANDLING EQUIPMENT



## “U-BOAT” UTILITY CART

### Applications:

The primary application of this style of cart has been for use as stocking carts in grocery & department stores. High end handles enable product to be stacked securely. The narrow 16” width of the cart makes it easy to maneuver through busy aisles. Many other applications can be found for these carts.

### Features:

- All heavy gauge steel construction made to withstand the toughest abuse while moving heavy loads
- Diamond deck surface, helps to keep loads from slipping off cart
- Durable powder coat finish gives attractive look while offering exceptional protection to the steel construction

### Specifications:

	ECONOMY CART	DELUXE CART
PART NUMBER	#UB-1660-DD-ECONOMY	#UB-1660-DD-DELUXE
LENGTH:	60” Inches.	60” Inches.
FRAME WIDTH:	16” Inches.	16” Inches.
HEIGHT:	62	62
WEIGHT CAPACITY:	2200	2200
SHIPPING WEIGHT:	105	105
2 MIDDLE CASTERS	8” x 2” Blue non-marking Polyurethane on black Polyolefin, rigid casters with roller bearings and zerk axles. (#6680R-01-XLB)	8” x 2” Gray non-marking Thermoplastic Rubber on Polyolefin, rigid casters with roller bearings and zerk axles. (#6680R-01-TPR)
4 OUTSIDE CORNER CASTERS	4” x 1-1/4” Non-marking black Polyolefin, swivel casters. (#5040-01-HDP)	4” x 1-1/4” Gray non-marking Thermoplastic Rubber on Polyolefin, swivel casters. (#5040-01-TRP)

Brakes are available on the 8” rigid casters. Please inquire.

# TERMS & CONDITIONS

\*\*\* Prices are subject to change without notice. \*\*\*

### Terms:

1. Net 30 days after credit is approved.
2. Caster Warehouse, Inc. reserves the right to block or revoke any account that is consistently delinquent.
3. We accept payments in the form of cash, checks, bank transfers, Visa, Master Card, & C.O.D.

### Pricing:

1. Prices are subject to change without notice. Customers will be charged their standard discount multiplier unless a valid quote number is referenced on the P.O. Quotes are valid for 30 days only.

### Returns:

1. All returns are subject to a [restock charge](#), unless prior arrangement has been made.
2. Customers are responsible for all shipping charges of returned merchandise.
3. Returned goods will only be accepted for credit with prior authorization.
4. All returns must be clearly marked with [RGA#](#) on all paperwork and packaging.
5. Return of Goods Authorization # ([RGA](#)) are valid for 30 days only.
6. Goods must be unused and in resalable condition.
7. No returns will be accepted on products invoiced over 60 days old.
8. No returns on Special Order and customer designed products.
9. Credits will be applied to related open invoices when possible. Otherwise open credits will be applied as specified by the customer.

### Shipping:

1. F.O.B. (Freight on Board) will be either Lilburn, GA or Carpentersville, IL.
2. We will try to ship the order from the closest warehouse to your shipping address, however we reserve the right to ship from either location to fill the order. We will inform you if a split shipment is required.
3. We will determine the least expensive mode of shipping and add the expense to the bill unless specified at the time of purchase.
4. All UPS shipments, prepaid or collect, will incur a shipping and handling fee which will be added to the freight charges on the invoice.
5. All truck freight shipments will include a shipping and handling fee added to product invoice.
6. All Fed Ex Ground shipments will incur a surcharge per box.

### Stock:

1. We stock our inventory according to industry demands. If there has not been a demand or request for a certain product, we may not have it in stock. We will bring into stock any items upon request if a sufficient usage is identified. [Always call us for current stock availability.](#)

# CASTER QUESTIONNAIRE

This questionnaire is designed to help guide you to the right caster for your application.

## First: determine the required load capacity and identify the caster series.

1. How much does the cart weigh by itself? \_\_\_\_\_ lbs
2. What is the maximum weight the cart needs to hold? \_\_\_\_\_ lbs
3. Add both weights to get the total cart capacity. \_\_\_\_\_ lbs
4. How many casters are used on the cart? \_\_\_\_\_ casters
5. Divide the total cart capacity by the number of casters to find the capacity per caster needed. \_\_\_\_\_ lbs/caster

Look at the chart below to determine which series falls within the load capacity range of your application. You may find many different series that fall in the capacity range and have many options to choose from, but this will give you an idea of where to start looking in our catalog.

CAPACITY RANGE	CASTER SERIES	CAPACITY RANGE	CASTER SERIES	CAPACITY RANGE	CASTER SERIES
100-120 lbs	WC 3000 (pg 2)	180-220 lbs	WC 5400 (pg 22)	275-450 lbs	WC 7600 (pg 39)
220-260 lbs	WC 3300 (pg 3)	150-275 lbs	WC 5700 (pg 27)	350-2000 lbs	WC 9000 (pg 41)
110-220 lbs	WC 3400 (pg 4)	250-500 lbs	WC 5500 (pg 23)	350-2200 lbs	WC 9100 (pg 43)
110-230 lbs	WC 3600 (pg 5)	275-500 lbs	WC 5600 (pg 25)	750-2200 lbs	WC 9200 (pg 45)
110-250 lbs	WC 3800 (pg 7)	300-750 lbs	WC 6400 (pg 29)	750-4000 lbs	WC 9400 (pg 47)
90-300 lbs	WC 4000 (pg 9)	350-900 lbs	WC 6600 (pg 31)	750-5000 lbs	WC 9500 (pg 49)
200-250 lbs	WC 4900 (pg 11)	300-1400 lbs	WC 6800 (pg 35)		
150-350 lbs	WC 5000 (pg 12)	700-1800 lbs	WC 6800 (pg 37)		
150-350 lbs	WC 5200 (pg 17)	750-2000 lbs	WC 7000 (pg 38)		

## First determine the required load capacity and identify the caster series.

1. Will the cart need to roll underneath anything? \_\_\_\_\_ YES \_\_\_\_\_ NO (If no then see note below)
2. If so, what is the maximum overall height the caster can raise cart off the ground and still clear the obstacle? \_\_\_\_\_ Overall Height in Inches
3. Subtract 1-1/2" to 2" off the maximum overall height to estimate the optimal wheel diameter. \_\_\_\_\_ Wheel Diameter

## Next: determine the fastener type. Use the chart below to find a series that has the fastening type you require.

TOP PLATE	GRIP RING	THREADED STEM	EXPANDING ADAPTER	ROUND STEM	OCTAGON STEM	SQUARE STEM
WC 3000 - WC 4000 WC 5000 - WC 9500 All series use Top Plates except the WC 4900 series	WC 3000, WC 3300, WC 3600, WC 3800, WC 4900, WC 5200, WC 5400, WC 5500, WC 5600	WC 3000, WC 3300, WC 3600, WC 3800, WC 4900, WC 5200, WC 5400, WC 5500, WC 5600, WC 5700, WC 6600, WC 7600	WC 3600, WC 3800, WC 5200, WC 5700, WC 5500	WC 3600, WC 4900, WC 5000, WC 5200, WC 5400, WC 5500, WC 5600, WC 6600	WC 3600, WC 3800, WC 4900, WC 5000, WC 5200, WC 5500	WC 5200

# WHEEL APPLICATION CHART

After you have determined which series, wheel diameter and fastener to use, you need to find the correct wheel material for your application. A general rule is to use a hard tread wheel on a soft surface and a soft tread wheel on a hard surface. If ergonomics is what you're after, then use a hard wheel on a hard surface with a precision bearing for maximum rollability. Durometer measures hardness so the higher the number the harder it is, the lower the number the softer it is.

Shore A = Softer, Shore D = Harder, Brinell = Hardest. (An "X" means this material is recommended for that type of flooring)

FLOOR MATERIAL	WHEEL TREAD TYPES									
	HARD RUBBER Durometer 75 Shore D	PHENOLIC Durometer 75-85 Shore D	POLYOLEFIN Durometer 60-70 Shore D	POLYURETHANE Durometer 95 Shore A	PNEUMATIC Durometer 60-70 Shore A	RUBBER ON CAST IRON Durometer 60-80 Shore A	SEMI-PNEUMATIC Durometer 70-80 Shore A	SOFT RUBBER Durometer 70-80 Shore A	STEEL Durometer 130-150 Brinell	THERMO PLASTIC RUBBER Durometer 55-65 Shore A
ASPHALT	X	X	X	X	X	X	X	X		X
CARPET	X	X	X	X						
CONCRETE	X	X	X	X	X	X	X	X	X	X
DIRT					X	X	X	X		X
GRAVEL					X					
LINOLEUM		X	X	X	X		X			X
TURF					X		X			
SAND					X					
STEEL	X	X	X	X	X	X	X	X	X	X
WOOD				X	X		X			X
ENVIRONMENT CONDITIONS	HARD RUBBER	PHENOLIC	POLYOLEFIN	POLYURETHANE	PNEUMATIC	RUBBER ON CAST IRON	SEMI-PNEUMATIC	SOFT RUBBER	STEEL	THERMO PLASTIC RUBBER
HEAT (DRY)		X							X	
CHEMICALS			X	X						
SALT SPRAY	X		X	X			X			X
STEAM			X	X						X
WASH DOWN	X		X	X			X			X

The chart below shows each tread type and compares them in some common applications. They are rated with a number from 0-5. (0 meaning "Not to be used" and 5 being "Excellent".)

FLOOR MATERIAL	WHEEL TREAD TYPES									
	HARD RUBBER	PHENOLIC	POLYOLEFIN	POLYURETHANE	PNEUMATIC	RUBBER ON CAST IRON	SEMI-PNEUMATIC	SOFT RUBBER	STEEL	THERMO PLASTIC RUBBER
BAKERY OVEN	0	4	0	0	0	0	0	0	3	0
FOOD SERVICE	5	3	5	5	3	1	3	4	0	5
GROCERY	3	5	5	5	3	3	3	3	0	5
HOME	4	2	5	5	4	4	4	4	1	5
HOSPITAL	1	1	3	5	4	1	1	1	0	5
MANUALLY PUSHED	4	5	4	4	2	3	3	3	5	4
MECHANICALLY PUSHED	1	4	1	4	1	1	1	1	2	3
OUTDOOR	1	1	4	4	5	3	4	1	1	4
WAREHOUSE	4	5	5	5	4	5	4	4	4	5

